

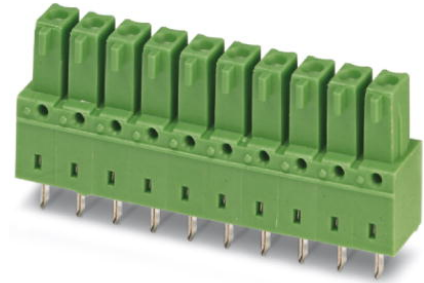


Extract from the online catalog

# IMCV 1,5/ 9-G-3,81

Order No.: 1875496

The figure shows a 16-pos. version of the product



<http://eshop.phoenixcontact.de/phoenix/treeViewClick.do?UID=1875496>

Header, Nominal current: 8 A, Rated voltage (III/2): 160 V, Pitch: 3.81 mm, Color: green, Metal surface: Sn, Assembly: Soldering

Commercial data	
GTIN (EAN)	4017918133993
sales group	E135
Pack	50 pcs.
Customs tariff	85366990
Weight/Piece	0.003057 KG
Catalog page information	Page 187 (CC-2009)

**Product notes**

WEEE/RoHS-compliant since: 01/01/2003

<http://www.download.phoenixcontact.com>  
Please note that the data given here has been taken from the online catalog. For comprehensive information and data, please refer to the user documentation. The General Terms and Conditions of Use apply to Internet downloads.

## Technical data

Dimensions / positions	
Length	6.85 mm
Pitch	3.81 mm
Dimension a	30.48 mm
Number of positions	9
Pin dimensions	0,8 x 0,8 mm

IMCV 1,5/ 9-G-3,81 Order No.: 1875496  
http://eshop.phoenixcontact.de/phoenix/treeViewClick.do?UID=1875496

Hole diameter	1.2 mm
<b>Technical data</b>	
Insulating material group	I
Rated surge voltage (III/3)	2.5 kV
Rated surge voltage (III/2)	2.5 kV
Rated surge voltage (II/2)	2.5 kV
Rated voltage (III/2)	160 V
Rated voltage (II/2)	320 V
Connection in acc. with standard	EN-VDE
Nominal current $I_N$	8 A
Nominal voltage $U_N$	160 V
Maximum load current	8 A
Insulating material	PA
Inflammability class acc. to UL 94	V0
Nominal voltage, UL/CUL Use Group B	250 V
Nominal current, UL/CUL Use Group B	8 A
Nominal voltage, UL/CUL Use Group D	300 V
Nominal current, UL/CUL Use Group D	8 A

### Certificates / Approvals



Certification CB, CUL, GOST, UL, VDE-PZI

#### CUL

Nominal voltage $U_N$	300 V
Nominal current $I_N$	8 A

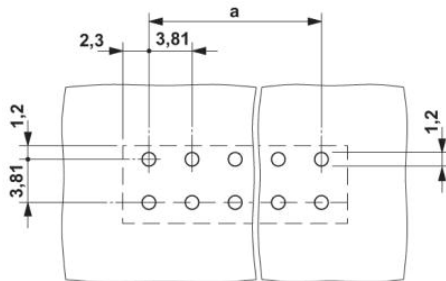
#### UL

Nominal voltage $U_N$	300 V
Nominal current $I_N$	8 A

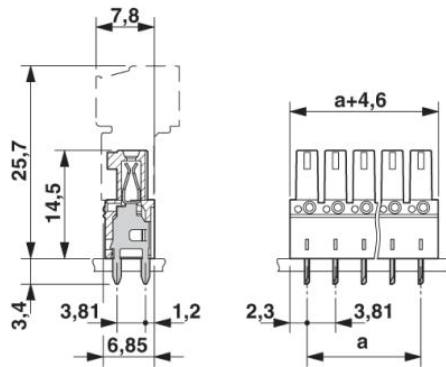
IMCV 1,5/ 9-G-3,81 Order No.: 1875496  
<http://eshop.phoenixcontact.de/phoenix/treeViewClick.do?UID=1875496>

## Diagrams/Drawings

Drilling plan/solder pad geometry



Dimensioned drawing



IMCV 1,5/ 9-G-3,81 Order No.: 1875496  
<http://eshop.phoenixcontact.de/phoenix/treeViewClick.do?UID=1875496>

---

**Address**

PHOENIX CONTACT Deutschland GmbH  
Flachmarktstr. 8  
32825 Blomberg, Germany  
Phone +49 5235 3 12000  
Fax +49 5235 3 41200  
<http://www.phoenixcontact.de>



© 2010 Phoenix Contact  
Technical modifications reserved;

onlinecomponents.com