

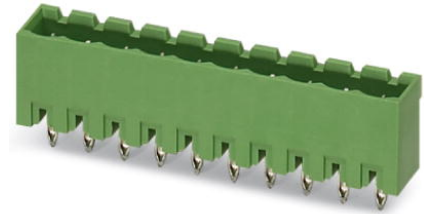


Extract from the online catalog

EMSTBVA 2,5/12-G-5,08

Order No.: 1859616

The figure shows a 10-position version of the product



<http://eshop.phoenixcontact.de/phoenix/treeViewClick.do?UID=1859616>

Header, Nominal current: 12 A, Nom. voltage: 200 V, Pitch: 5.08 mm, Number of positions: 12, Assembly: Press-in

Commercial data	
EAN	4017918133030
Pack	50 pcs.
Customs tariff	85366990
Weight/Piece	0.005416 KG
Catalog page information	Page 247 (CC-2009)

Product notes

WEEE/RoHS-compliant since: 01/01/2003

<http://www.download.phoenixcontact.com>
Please note that the data given here has been taken from the online catalog. For comprehensive information and data, please refer to the user documentation. The General Terms and Conditions of Use apply to Internet downloads.

Technical data

Dimensions / positions	
Length	8.6 mm
Pitch	5.08 mm
Dimension a	55.88 mm
Number of positions	12
Pin dimensions	1,7 mm

EMSTBVA 2,5/12-G-5,08 Order No.: 1859616
http://eshop.phoenixcontact.de/phoenix/treeViewClick.do?UID=1859616

Hole diameter	1.75 mm
Technical data	
Insulating material group	IIIa
Rated surge voltage (III/3)	4 kV
Rated surge voltage (III/2)	4 kV
Rated surge voltage (II/2)	4 kV
Rated voltage (III/2)	320 V
Rated voltage (II/2)	320 V
Connection in acc. with standard	EN-VDE
Nominal current I_N	12 A
Nominal voltage U_N	200 V
Maximum load current	12 A
Insulating material	PBT
Inflammability class acc. to UL 94	V0

Certificates / Approvals



Certification CB, CUL, GOST, UL, VDE-PZI

CUL

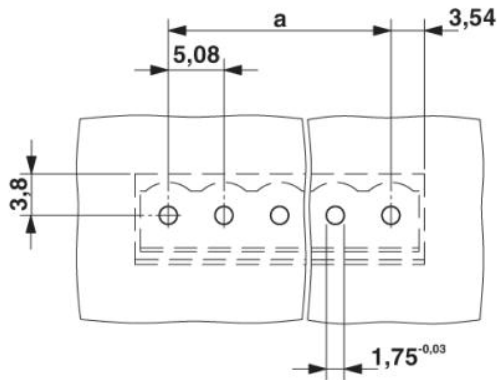
Nominal voltage U_N	300 V
Nominal current I_N	10 A

UL

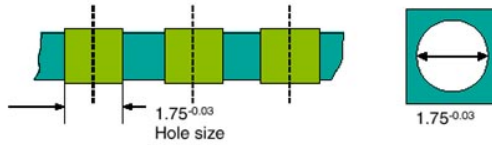
Nominal voltage U_N	300 V
Nominal current I_N	10 A

Drawings

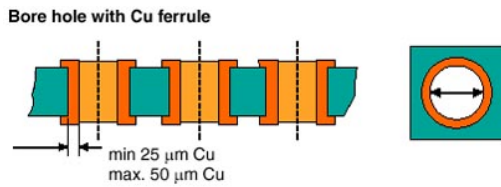
Drilling diagram



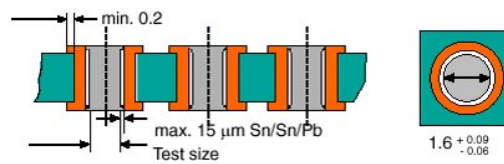
Bore hole in the basic material,
mostly epoxy glass fabric FR4 or EP-GC



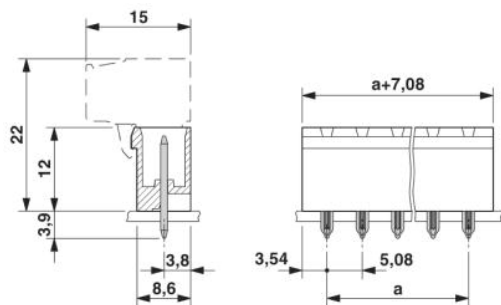
Bore hole with Cu ferrule



Plated-through bore hole with Sn/SnPb



Dimensioned drawing



EMSTBVA 2,5/12-G-5,08 Order No.: 1859616
<http://eshop.phoenixcontact.de/phoenix/treeViewClick.do?UID=1859616>

Address

PHOENIX CONTACT Deutschland GmbH
Flachmarktstr. 8
32825 Blomberg, Germany
Phone +49 5235 3 12000
Fax +49 5235 3 41200
<http://www.phoenixcontact.de>



© 2010 Phoenix Contact
Technical modifications reserved;

onlinecomponents.com