



Extract from the online catalog

IC-DFR 7

Order No.: 1852079




<http://eshop.phoenixcontact.de/phoenix/treeViewClick.do?UID=1852079>

accessories, Pitch: 5.08 mm, Number of positions: 7

Commercial data	
EAN	4017918108953
Pack	50 pcs.
Customs tariff	39269097
Weight/Piece	0.00231 KG
Catalog page information	Page 282 (CC-2009)

Product notes

WEEE/RoHS-compliant since:
01/01/2003



<http://www.download.phoenixcontact.com>
Please note that the data given here has been taken from the online catalog. For comprehensive information and data, please refer to the user documentation. The General Terms and Conditions of Use apply to Internet downloads.

Technical data

Dimensions / positions	
Pitch	5.08 mm
Dimension a	30.48 mm
Number of positions	7

Technical data	
Insulating material group	I

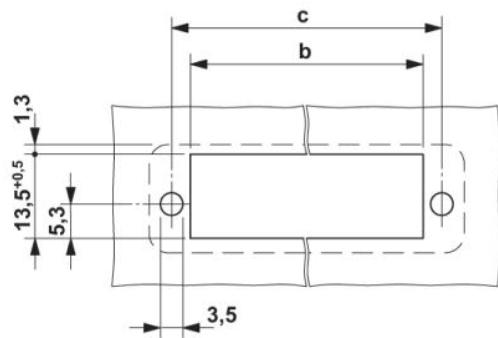
IC-DFR 7 Order No.: 1852079

<http://eshop.phoenixcontact.de/phoenix/treeViewClick.do?UID=1852079>

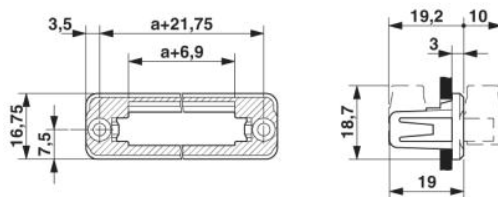
Insulating material	PA
Inflammability class acc. to UL 94	V0

Drawings

Drilling diagram



Dimensioned drawing



onlinecomponents.com

IC-DFR 7 Order No.: 1852079

<http://eshop.phoenixcontact.de/phoenix/treeViewClick.do?UID=1852079>

Address

PHOENIX CONTACT GmbH & Co. KG
Flachsmarktstr. 8
32825 Blomberg, Germany
Phone +49 5235 3 00
Fax +49 5235 3 41200
<http://www.phoenixcontact.de>



© 2009 Phoenix Contact
Technical modifications reserved;

onlinecomponents.com