



Extract from the online catalog

## MDSTB 2,5/ 9-G

Order No.: 1846438

The figure shows a 10-position version of the product



<http://eshop.phoenixcontact.de/phoenix/treeViewClick.do?UID=1846438>

Header, Nominal current: 10 A, Nom. voltage: 250 V, Pitch: 5 mm, Number of positions: 9, Color: green, Assembly: Soldering

Commercial data	
EAN	4017918183646
Pack	50 pcs.
Customs tariff	85366990
Weight/Piece	0.015095 KG
Catalog page information	Page 258 (CC-2009)

### Product notes

WEEE/RoHS-compliant since:  
01/01/2003



<http://www.download.phoenixcontact.com>  
Please note that the data given here has been taken from the online catalog. For comprehensive information and data, please refer to the user documentation. The General Terms and Conditions of Use apply to Internet downloads.

## Technical data

Dimensions / positions	
Pitch	5 mm
Dimension a	40 mm
Number of positions	9
Pin dimensions	1 x 1 mm
Hole diameter	1.4 mm

MDSTB 2,5/ 9-G Order No.: 1846438  
http://eshop.phoenixcontact.de/phoenix/treeViewClick.do?UID=1846438

**Technical data**

Insulating material group	I
Rated surge voltage (III/3)	4 kV
Rated surge voltage (III/2)	4 kV
Rated surge voltage (II/2)	4 kV
Rated voltage (III/2)	320 V
Rated voltage (II/2)	630 V
Connection in acc. with standard	EN-VDE
Nominal current $I_N$	10 A
Nominal voltage $U_N$	250 V
Maximum load current	10 A
Insulating material	PBT
Inflammability class acc. to UL 94	V0

**Certificates / Approvals**



Certification CB, CSA, CUL, GOST, UL, VDE-PZI

**CSA**

Nominal voltage $U_N$	300 V
Nominal current $I_N$	10 A

**CUL**

Nominal voltage $U_N$	300 V
Nominal current $I_N$	10 A

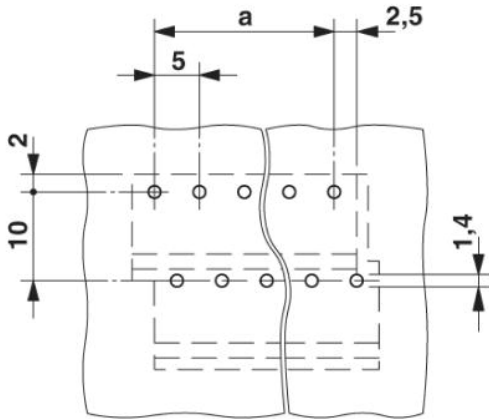
**UL**

Nominal voltage $U_N$	300 V
Nominal current $I_N$	10 A

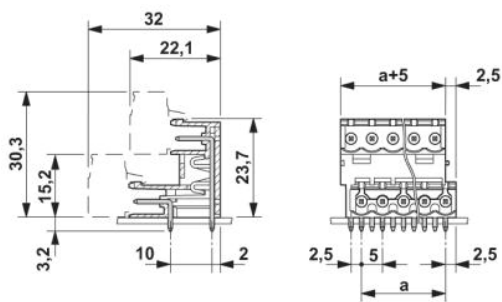
MDSTB 2,5/ 9-G Order No.: 1846438  
<http://eshop.phoenixcontact.de/phoenix/treeViewClick.do?UID=1846438>

## Drawings

Drilling diagram



Dimensioned drawing



MDSTB 2,5/ 9-G Order No.: 1846438  
<http://eshop.phoenixcontact.de/phoenix/treeViewClick.do?UID=1846438>

---

**Address**

PHOENIX CONTACT Deutschland GmbH  
Flachmarktstr. 8  
32825 Blomberg, Germany  
Phone +49 5235 3 12000  
Fax +49 5235 3 41200  
<http://www.phoenixcontact.de>



© 2010 Phoenix Contact  
Technical modifications reserved;

onlinecomponents.com