



Extract from the online catalog

UMSTBVK 2,5/12-ST-5,08

Order No.: 1833917

The figure shows a 10-position version of the product



<http://eshop.phoenixcontact.de/phoenix/treeViewClick.do?UID=1833917>

Plug component, Nominal current: 12 A, Rated voltage (III/2): 320 V, Pitch: 5.08 mm, Color: green, Metal surface: Sn, Assembly: DIN rail

Commercial data	
EAN	4017918110659
sales group	E121
Pack	50 pcs.
Customs tariff	85366990
Weight/Piece	0.0364 KG
Catalog page information	Page 294 (CC-2009)

Product notes

WEEE/RoHS-compliant since: 01/01/2003



<http://www.download.phoenixcontact.com>
Please note that the data given here has been taken from the online catalog. For comprehensive information and data, please refer to the user documentation. The General Terms and Conditions of Use apply to Internet downloads.

Technical data

Dimensions / positions	
Width	42.5 mm
Pitch	5.08 mm
Dimension a	55.88 mm
Number of positions	12
Screw thread	M3

UMSTBVK 2,5/12-ST-5,08 Order No.: 1833917
<http://eshop.phoenixcontact.de/phoenix/treeViewClick.do?UID=1833917>

Tightening torque, min	0.5 Nm
Tightening torque max	0.6 Nm

Technical data

Insulating material group	I
Rated surge voltage (III/3)	4 kV
Rated surge voltage (III/2)	4 kV
Rated surge voltage (II/2)	4 kV
Rated voltage (III/2)	320 V
Rated voltage (II/2)	630 V
Connection in acc. with standard	EN-VDE
Nominal current I_N	12 A
Nominal voltage U_N	320 V
Nominal cross section	2.5 mm ²
Insulating material	PA
Inflammability class acc. to UL 94	V0
Internal cylindrical gage	A3
Stripping length	7 mm

Connection data

Conductor cross section solid min.	0.2 mm ²
Conductor cross section solid max.	2.5 mm ²
Conductor cross section stranded min.	0.2 mm ²
Conductor cross section stranded max.	2.5 mm ²
Conductor cross section stranded, with ferrule without plastic sleeve min.	0.25 mm ²
Conductor cross section stranded, with ferrule without plastic sleeve max.	2.5 mm ²
Conductor cross section stranded, with ferrule with plastic sleeve min.	0.25 mm ²
Conductor cross section stranded, with ferrule with plastic sleeve max.	2.5 mm ²
2 conductors with same cross section, solid min.	0.2 mm ²
2 conductors with same cross section, solid max.	1 mm ²
2 conductors with same cross section, stranded min.	0.2 mm ²
2 conductors with same cross section, stranded max.	1.5 mm ²

UMSTBVK 2,5/12-ST-5,08 Order No.: 1833917
http://eshop.phoenixcontact.de/phoenix/treeViewClick.do?UID=1833917

2 conductors with same cross section, stranded, ferrules without plastic sleeve, min.	0.25 mm ²
2 conductors with same cross section, stranded, ferrules without plastic sleeve, max.	1 mm ²
2 conductors with same cross section, stranded, TWIN ferrules with plastic sleeve, min.	0.5 mm ²
2 conductors with same cross section, stranded, TWIN ferrules with plastic sleeve, max.	1.5 mm ²
Conductor cross section AWG/kcmil min.	24
Conductor cross section AWG/kcmil max	12

Certificates / Approvals



Certification CB, CSA, CUL, GOST, UL, VDE-PZI

CSA

Nominal voltage U_N	300 V
Nominal current I_N	10 A
AWG/kcmil	28-12

CUL

Nominal voltage U_N	300 V
Nominal current I_N	10 A
AWG/kcmil	30-12

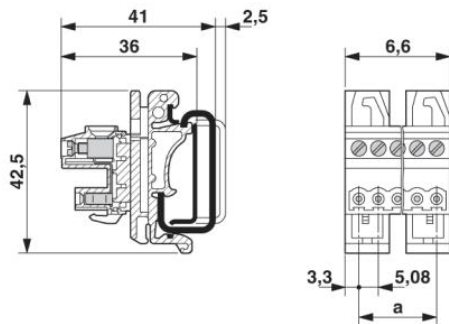
UL

Nominal voltage U_N	300 V
Nominal current I_N	10 A
AWG/kcmil	30-12

UMSTBVK 2,5/12-ST-5,08 Order No.: 1833917
<http://eshop.phoenixcontact.de/phoenix/treeViewClick.do?UID=1833917>

Diagrams/Drawings

Dimensioned drawing



onlinecomponents.com

UMSTBVK 2,5/12-ST-5,08 Order No.: 1833917
<http://eshop.phoenixcontact.de/phoenix/treeViewClick.do?UID=1833917>

Address

PHOENIX CONTACT Deutschland GmbH
Flachmarktstr. 8
32825 Blomberg, Germany
Phone +49 5235 3 12000
Fax +49 5235 3 41200
<http://www.phoenixcontact.de>



© 2010 Phoenix Contact
Technical modifications reserved;

onlinecomponents.com