



Extract from the online catalog

ICC 2,5/ 8-STZFD-5,08

Order No.: 1823671

The illustration shows a 15-position version



<http://eshop.phoenixcontact.de/phoenix/treeViewClick.do?UID=1823671>

Plug component, Nominal current: 12 A, Nom. voltage: 250 V, Pitch: 5.08 mm, Number of positions: 8, Connection type: Crimp connection

Commercial data	
EAN	4017918048532
Pack	50 pcs.
Customs tariff	85366990
Weight/Piece	0.005954 KG

Product notes

WEEE/RoHS-compliant since: 01/01/2003

<http://www.download.phoenixcontact.com>
Please note that the data given here has been taken from the online catalog. For comprehensive information and data, please refer to the user documentation. The General Terms and Conditions of Use apply to Internet downloads.

Technical data	
Dimensions / positions	
Pitch	5.08 mm
Number of positions	8

ICC 2,5/ 8-STZFD-5,08 Order No.: 1823671
http://eshop.phoenixcontact.de/phoenix/treeViewClick.do?UID=1823671

Technical data

Insulating material group	I
Rated surge voltage (III/3)	4 kV
Rated surge voltage (III/2)	4 kV
Rated surge voltage (II/2)	4 kV
Rated voltage (III/2)	320 V
Rated voltage (II/2)	630 V
Connection in acc. with standard	EN-VDE
Nominal current I_N	12 A
Nominal voltage U_N	250 V
Nominal cross section	2.5 mm ²
Insulating material	PA
Inflammability class acc. to UL 94	V0

Connection data

Conductor cross section stranded min.	0.5 mm ²
Conductor cross section stranded max.	2.5 mm ²
Conductor cross section AWG/kcmil min.	20
Conductor cross section AWG/kcmil max	14

Certificates / Approvals



Certification CB, CSA, CUL, UL, VDE-PZI

CSA

Nominal voltage U_N	300 V
Nominal current I_N	10 A
AWG/kcmil	20-14

CUL

Nominal voltage U_N	300 V
Nominal current I_N	10 A
AWG/kcmil	20-14

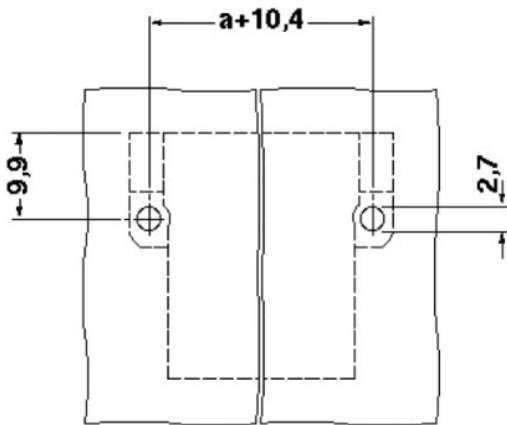
ICC 2,5/ 8-STZFD-5,08 Order No.: 1823671
http://eshop.phoenixcontact.de/phoenix/treeViewClick.do?UID=1823671

UL

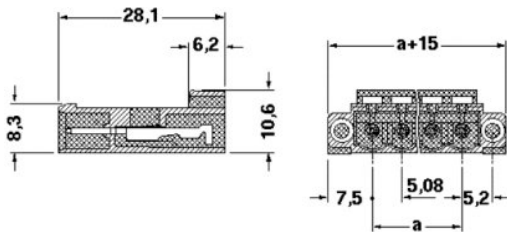
Nominal voltage U_N	300 V
Nominal current I_N	10 A
AWG/kcmil	20-14

Drawings

Drilling diagram



Dimensioned drawing



ICC 2,5/ 8-STZFD-5,08 Order No.: 1823671
<http://eshop.phoenixcontact.de/phoenix/treeViewClick.do?UID=1823671>

Address

PHOENIX CONTACT GmbH & Co. KG
Flachsmarktstr. 8
32825 Blomberg, Germany
Phone +49 5235 3 00
Fax +49 5235 3 41200
<http://www.phoenixcontact.de>



© 2009 Phoenix Contact
Technical modifications reserved;

onlinecomponents.com