



Extract from the online catalog

## ICC 2,5/ 6-STZFD-5,08

Order No.: 1823655

The illustration shows a 15-position version



<http://eshop.phoenixcontact.de/phoenix/treeViewClick.do?UID=1823655>

Plug component, Nominal current: 12 A, Nom. voltage: 250 V, Pitch: 5.08 mm, Number of positions: 6, Connection type: Crimp connection, Color: green

Commercial data	
EAN	4017918048518
Note	Made-to-order
sales group	E125
Pack	50 pcs.
Customs tariff	85366990
Weight/Piece	0.004732 KG

#### Product notes

WEEE/RoHS-compliant since: 01/01/2003



<http://www.download.phoenixcontact.com>  
Please note that the data given here has been taken from the online catalog. For comprehensive information and data, please refer to the user documentation. The General Terms and Conditions of Use apply to Internet downloads.

### Technical data

Dimensions / positions	
Pitch	5.08 mm
Number of positions	6

ICC 2,5/ 6-STZFD-5,08 Order No.: 1823655  
http://eshop.phoenixcontact.de/phoenix/treeViewClick.do?UID=1823655

#### Technical data

Insulating material group	I
Rated surge voltage (III/3)	4 kV
Rated surge voltage (III/2)	4 kV
Rated surge voltage (II/2)	4 kV
Rated voltage (III/2)	320 V
Rated voltage (II/2)	630 V
Connection in acc. with standard	EN-VDE
Nominal current $I_N$	12 A
Nominal voltage $U_N$	250 V
Nominal cross section	2.5 mm <sup>2</sup>
Insulating material	PA
Inflammability class acc. to UL 94	V0

#### Connection data

Conductor cross section stranded min.	0.5 mm <sup>2</sup>
Conductor cross section stranded max.	2.5 mm <sup>2</sup>
Conductor cross section AWG/kcmil min.	20
Conductor cross section AWG/kcmil max	14

#### Certificates / Approvals



Certification CB, CSA, CUL, UL, VDE-PZI

#### CSA

Nominal voltage $U_N$	300 V
Nominal current $I_N$	10 A
AWG/kcmil	20-14

#### CUL

Nominal voltage $U_N$	300 V
Nominal current $I_N$	10 A
AWG/kcmil	20-14

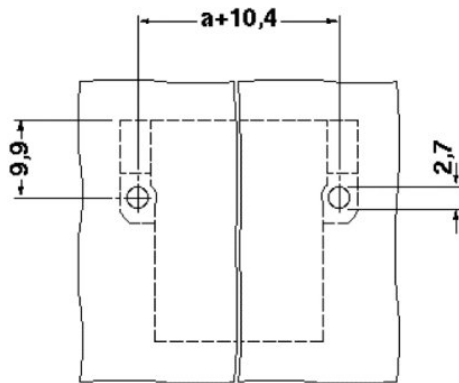
ICC 2,5/ 6-STZFD-5,08 Order No.: 1823655  
http://eshop.phoenixcontact.de/phoenix/treeViewClick.do?UID=1823655

**UL**

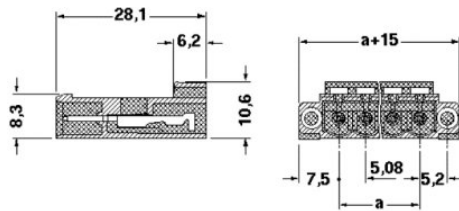
Nominal voltage $U_N$	300 V
Nominal current $I_N$	10 A
AWG/kcmil	20-14

**Diagrams/Drawings**

Drilling plan/solder pad geometry



Dimensioned drawing



ICC 2,5/ 6-STZFD-5,08 Order No.: 1823655  
<http://eshop.phoenixcontact.de/phoenix/treeViewClick.do?UID=1823655>

---

**Address**

PHOENIX CONTACT Deutschland GmbH  
Flachmarktstr. 8  
32825 Blomberg, Germany  
Phone +49 5235 3 12000  
Fax +49 5235 3 41200  
<http://www.phoenixcontact.de>



© 2010 Phoenix Contact  
Technical modifications reserved;

onlinecomponents.com