



Extract from the online catalog

MSTBC 2,5/24-STZFD-5,08

Order No.: 1809491

The illustration shows a 15-position version



<http://eshop.phoenixcontact.de/phoenix/treeViewClick.do?UID=1809491>

Plug component, Nominal current: 12 A, Rated voltage (III/2): 320 V, Pitch: 5.08 mm, Color: green, Metal surface: Sn, Assembly: Direct mounting, Corresponding female crimp contacts with current [A] and conductor cross section range [mm²] data: 10A/MSTBC-MT 0,5-1,0 (3190564); 10A/MSTBC-MT 0,5-1,0 BA (3190645); 12A/MSTBC-MT 1,5-2,5 (3190551); 12A/MSTBC-MT 1,5-2,5 BA (3190658). BA = Bandkontakte

Commercial data	
EAN	4017918047634
Note	Made-to-order
sales group	E125
Pack	50 pcs.
Customs tariff	85366990
Weight/Piece	0.01287 KG

Product notes

WEEE/RoHS-compliant since:
01/01/2003



<http://www.download.phoenixcontact.com>
Please note that the data given here has been taken from the online catalog. For comprehensive information and data, please refer to the user documentation. The General Terms and Conditions of Use apply to Internet downloads.

Technical data

Dimensions / positions	
Height	10.7 mm

MSTBC 2,5/24-STZFD-5,08 Order No.: 1809491
http://eshop.phoenixcontact.de/phoenix/treeViewClick.do?UID=1809491

Pitch	5.08 mm
Dimension a	116.84 mm
Number of positions	24

Technical data

Insulating material group	I
Rated surge voltage (III/3)	4 kV
Rated surge voltage (III/2)	4 kV
Rated surge voltage (II/2)	4 kV
Rated voltage (III/2)	320 V
Rated voltage (II/2)	630 V
Connection in acc. with standard	EN-VDE
Nominal current I_N	12 A
Nominal voltage U_N	320 V
Nominal cross section	2.5 mm ²
Insulating material	PA
Inflammability class acc. to UL 94	V0

Connection data

Conductor cross section stranded min.	0.5 mm ²
Conductor cross section stranded max.	2.5 mm ²
Conductor cross section AWG/kcmil min.	20
Conductor cross section AWG/kcmil max	14

Certificates / Approvals



Certification CB, CSA, CUL, UL, VDE-PZI

CSA

Nominal voltage U_N	300 V
Nominal current I_N	10 A
AWG/kcmil	20-14

CUL

Nominal voltage U_N	300 V
-----------------------	-------

MSTBC 2,5/24-STZFD-5,08 Order No.: 1809491
<http://eshop.phoenixcontact.de/phoenix/treeViewClick.do?UID=1809491>

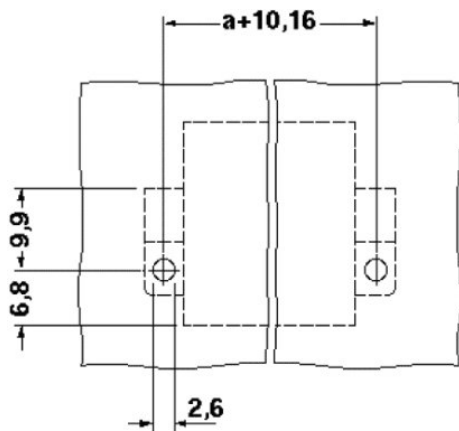
Nominal current I_N	10 A
AWG/kcmil	20-14

UL

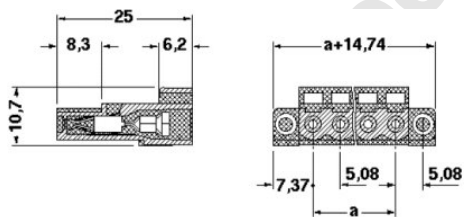
Nominal voltage U_N	300 V
Nominal current I_N	10 A
AWG/kcmil	20-14

Diagrams/Drawings

Drilling plan/solder pad geometry



Dimensioned drawing



MSTBC 2,5/24-STZFD-5,08 Order No.: 1809491
<http://eshop.phoenixcontact.de/phoenix/treeViewClick.do?UID=1809491>

Address

PHOENIX CONTACT Deutschland GmbH
Flachmarktstr. 8
32825 Blomberg, Germany
Phone +49 5235 3 12000
Fax +49 5235 3 41200
<http://www.phoenixcontact.de>



© 2010 Phoenix Contact
Technical modifications reserved;

onlinecomponents.com