



Extract from the online catalog

MSTBC 2,5/16-STZFD-5,08

Order No.: 1809417

The illustration shows a 15-position version



<http://eshop.phoenixcontact.de/phoenix/treeViewClick.do?UID=1809417>

Plug component, Nominal current: 12 A, Rated voltage (III/2): 320 V, Pitch: 5 mm, Color: green, Metal surface: Sn, Assembly: Direct mounting, Corresponding female crimp contacts with current [A] and conductor cross section range [mm²] data: 10A/MSTBC-MT 0,5-1,0 (3190564); 10A/MSTBC-MT 0,5-1,0 BA (3190645); 12A/MSTBC-MT 1,5-2,5 (3190551); 12A/MSTBC-MT 1,5-2,5 BA (3190658). BA = Bandkontakte

Commercial data

| | |
|----------------|---------------|
| EAN | 4017918047559 |
| Note | Made-to-order |
| sales group | E125 |
| Pack | 50 pcs. |
| Customs tariff | 85366990 |
| Weight/Piece | 0.0177 KG |

Product notes

WEEE/RoHS-compliant since:
01/01/2003



<http://www.download.phoenixcontact.com>
Please note that the data given here has been taken from the online catalog. For comprehensive information and data, please refer to the user documentation. The General Terms and Conditions of Use apply to Internet downloads.

Technical data

Dimensions / positions

| | |
|--------|---------|
| Height | 10.7 mm |
|--------|---------|

MSTBC 2,5/16-STZFD-5,08 Order No.: 1809417
http://eshop.phoenixcontact.de/phoenix/treeViewClick.do?UID=1809417

| | |
|---------------------|---------|
| Pitch | 5.08 mm |
| Dimension a | 76.2 mm |
| Number of positions | 16 |

Technical data

| | |
|------------------------------------|---------------------|
| Insulating material group | I |
| Rated surge voltage (III/3) | 4 kV |
| Rated surge voltage (III/2) | 4 kV |
| Rated surge voltage (II/2) | 4 kV |
| Rated voltage (III/2) | 320 V |
| Rated voltage (II/2) | 630 V |
| Connection in acc. with standard | EN-VDE |
| Nominal current I_N | 12 A |
| Nominal voltage U_N | 320 V |
| Nominal cross section | 2.5 mm ² |
| Insulating material | PA |
| Inflammability class acc. to UL 94 | V0 |

Connection data

| | |
|--|---------------------|
| Conductor cross section stranded min. | 0.5 mm ² |
| Conductor cross section stranded max. | 2.5 mm ² |
| Conductor cross section AWG/kcmil min. | 20 |
| Conductor cross section AWG/kcmil max. | 14 |

Certificates / Approvals



Certification CB, CSA, CUL, UL, VDE-PZI

CSA

| | |
|-----------------------|-------|
| Nominal voltage U_N | 300 V |
| Nominal current I_N | 10 A |
| AWG/kcmil | 20-14 |

CUL

| | |
|-----------------------|-------|
| Nominal voltage U_N | 300 V |
|-----------------------|-------|

MSTBC 2,5/16-STZFD-5,08 Order No.: 1809417
<http://eshop.phoenixcontact.de/phoenix/treeViewClick.do?UID=1809417>

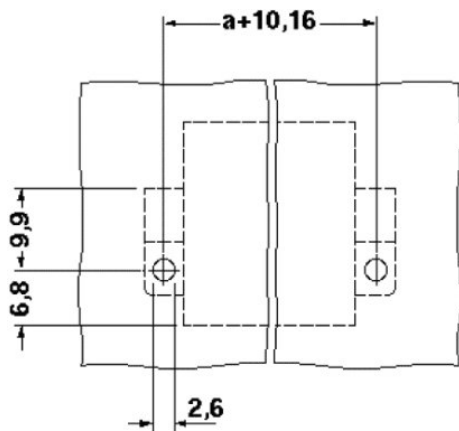
| | |
|-----------------------|-------|
| Nominal current I_N | 10 A |
| AWG/kcmil | 20-14 |

UL

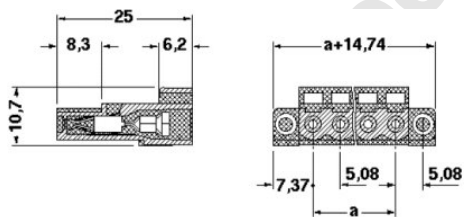
| | |
|-----------------------|-------|
| Nominal voltage U_N | 300 V |
| Nominal current I_N | 10 A |
| AWG/kcmil | 20-14 |

Diagrams/Drawings

Drilling plan/solder pad geometry



Dimensioned drawing



MSTBC 2,5/16-STZFD-5,08 Order No.: 1809417
<http://eshop.phoenixcontact.de/phoenix/treeViewClick.do?UID=1809417>

Address

PHOENIX CONTACT Deutschland GmbH
Flachmarktstr. 8
32825 Blomberg, Germany
Phone +49 5235 3 12000
Fax +49 5235 3 41200
<http://www.phoenixcontact.de>



© 2010 Phoenix Contact
Technical modifications reserved;

onlinecomponents.com