



Extract from the online catalog

MSTBC 2,5/ 3-STZFD-5,08

Order No.: 1809284

The illustration shows a 15-position version



<http://eshop.phoenixcontact.de/phoenix/treeViewClick.do?UID=1809284>

Plug component, Nominal current: 12 A, Nom. voltage: 320 V, Pitch: 5.08 mm, Number of positions: 3, Connection type: Crimp connection, Assembly: Direct mounting, Color: green

Commercial data	
EAN	4017918047429
Pack	50 pcs.
Customs tariff	85369010
Weight/Piece	0.002721 KG

Product notes

WEEE/RoHS-compliant since: 01/01/2003



<http://www.download.phoenixcontact.com>
Please note that the data given here has been taken from the online catalog. For comprehensive information and data, please refer to the user documentation. The General Terms and Conditions of Use apply to Internet downloads.

Technical data

Dimensions / positions	
Height	10.7 mm
Pitch	5.08 mm
Dimension a	10.16 mm
Number of positions	3

MSTBC 2,5/ 3-STZFD-5,08 Order No.: 1809284
http://eshop.phoenixcontact.de/phoenix/treeViewClick.do?UID=1809284

Technical data

Insulating material group	I
Rated surge voltage (III/3)	4 kV
Rated surge voltage (III/2)	4 kV
Rated surge voltage (II/2)	4 kV
Rated voltage (III/2)	320 V
Rated voltage (II/2)	630 V
Connection in acc. with standard	EN-VDE
Nominal current I_N	12 A
Nominal voltage U_N	320 V
Nominal cross section	2.5 mm ²
Insulating material	PA
Inflammability class acc. to UL 94	V0

Connection data

Conductor cross section stranded min.	0.5 mm ²
Conductor cross section stranded max.	2.5 mm ²
Conductor cross section AWG/kcmil min.	20
Conductor cross section AWG/kcmil max	14

Certificates / Approvals



Certification CB, CSA, CUL, UL, VDE-PZI

CSA

Nominal voltage U_N	300 V
Nominal current I_N	10 A
AWG/kcmil	20-14

CUL

Nominal voltage U_N	300 V
Nominal current I_N	10 A
AWG/kcmil	20-14

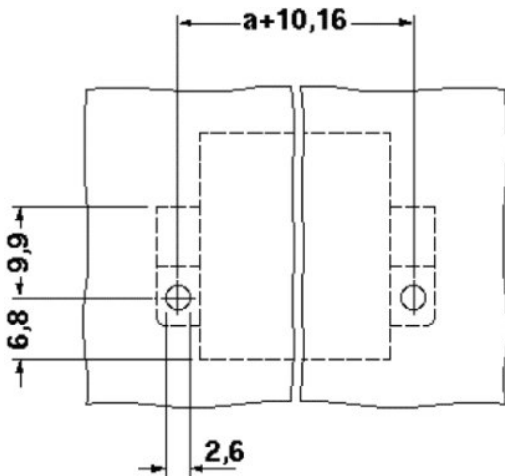
MSTBC 2,5/ 3-STZFD-5,08 Order No.: 1809284
<http://eshop.phoenixcontact.de/phoenix/treeViewClick.do?UID=1809284>

UL

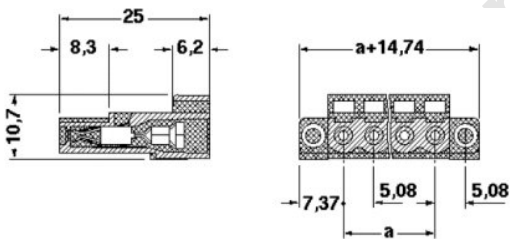
Nominal voltage U_N	300 V
Nominal current I_N	10 A
AWG/kcmil	20-14

Drawings

Drilling diagram



Dimensioned drawing



MSTBC 2,5/ 3-STZFD-5,08 Order No.: 1809284
<http://eshop.phoenixcontact.de/phoenix/treeViewClick.do?UID=1809284>

Address

PHOENIX CONTACT GmbH & Co. KG
Flachsmarktstr. 8
32825 Blomberg, Germany
Phone +49 5235 3 00
Fax +49 5235 3 41200
<http://www.phoenixcontact.de>



© 2009 Phoenix Contact
Technical modifications reserved;

onlinecomponents.com