



Extract from the online catalog

MSTB 2,5/13-GF-5,08

Order No.: 1776618

The figure shows a 10-position version of the product



<http://eshop.phoenixcontact.de/phoenix/treeViewClick.do?UID=1776618>

Header, Nominal current: 12 A, Nom. voltage: 250 V, Pitch: 5.08 mm, Number of positions: 13, Assembly: Soldering

Commercial data	
EAN	4017918038786
Pack	50 pcs.
Customs tariff	85366990
Weight/Piece	0.00714 KG
Catalog page information	Page 249 (CC-2009)

Product notes

WEEE/RoHS-compliant since: 01/01/2003

<http://www.download.phoenixcontact.com>
Please note that the data given here has been taken from the online catalog. For comprehensive information and data, please refer to the user documentation. The General Terms and Conditions of Use apply to Internet downloads.

Technical data

Dimensions / positions	
Pitch	5.08 mm
Dimension a	60.96 mm
Number of positions	13
Pin dimensions	1 x 1 mm
Hole diameter	1.4 mm

MSTB 2,5/13-GF-5,08 Order No.: 1776618
http://eshop.phoenixcontact.de/phoenix/treeViewClick.do?UID=1776618

Technical data

Insulating material group	IIIa
Rated surge voltage (III/3)	4 kV
Rated surge voltage (III/2)	4 kV
Rated surge voltage (II/2)	4 kV
Rated voltage (III/2)	320 V
Rated voltage (II/2)	400 V
Connection in acc. with standard	EN-VDE
Nominal current I_N	12 A
Nominal voltage U_N	250 V
Maximum load current	12 A
Insulating material	PBT
Inflammability class acc. to UL 94	V0

Certificates / Approvals



Certification CB, CSA, CUL, GL, GOST, RS, UL, VDE-PZI

CSA

Nominal voltage U_N	300 V
Nominal current I_N	10 A

CUL

Nominal voltage U_N	300 V
Nominal current I_N	10 A

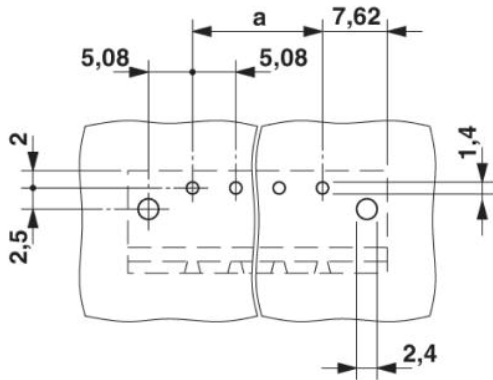
UL

Nominal voltage U_N	300 V
Nominal current I_N	10 A

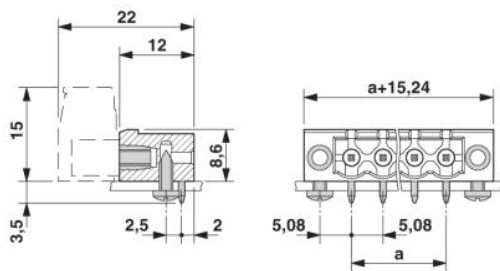
MSTB 2,5/13-GF-5,08 Order No.: 1776618
<http://eshop.phoenixcontact.de/phoenix/treeViewClick.do?UID=1776618>

Drawings

Drilling diagram



Dimensioned drawing



MSTB 2,5/13-GF-5,08 Order No.: 1776618
<http://eshop.phoenixcontact.de/phoenix/treeViewClick.do?UID=1776618>

Address

PHOENIX CONTACT GmbH & Co. KG
Flachsmarktstr. 8
32825 Blomberg, Germany
Phone +49 5235 3 00
Fax +49 5235 3 41200
<http://www.phoenixcontact.de>



© 2009 Phoenix Contact
Technical modifications reserved;

onlinecomponents.com