



Extract from the online catalog

MCV 1,5/12-GF-3,81 P26 THRR72

Order No.: 1713444



<http://eshop.phoenixcontact.de/phoenix/treeViewClick.do?UID=1713444>

Header, Nominal current: 8 A, Rated voltage (III/2): 160 V, Pitch: 3.81 mm, Color: black, Assembly: Taped SMD/THT/THR components, User information and design recommendations on through hole reflow technology can be found at: <http://www.combicon.com>

Commercial data	
EAN	4046356092951
Note	Made-to-order
sales group	E171
Pack	200 pcs.
Customs tariff	85366990
Weight/Piece	0.006659 KG
Catalog page information	Page 167 (CC-2009)

Product notes

WEEE/RoHS-compliant since:
09/07/2005



<http://www.download.phoenixcontact.com>
Please note that the data given here has been taken from the online catalog. For comprehensive information and data, please refer to the user documentation. The General Terms and Conditions of Use apply to Internet downloads.

Technical data

Dimensions / positions	
Pitch	3.81 mm
Dimension a	41.91 mm
Number of positions	12

MCV 1,5/12-GF-3,81 P26 THRR72 Order No.: 1713444
http://eshop.phoenixcontact.de/phoenix/treeViewClick.do?UID=1713444

Pin dimensions	0,8 x 0,8 mm
Hole diameter	1.4 mm

Technical data

Insulating material group	IIIa
Rated surge voltage (III/3)	2.5 kV
Rated surge voltage (III/2)	2.5 kV
Rated surge voltage (II/2)	2.5 kV
Rated voltage (III/2)	160 V
Rated voltage (II/2)	250 V
Connection in acc. with standard	EN-VDE
Nominal current I_N	8 A
Nominal voltage U_N	160 V
Maximum load current	8 A
Insulating material	LCP
Inflammability class acc. to UL 94	V0
Nominal voltage, UL/CUL Use Group B	250 V
Nominal current, UL/CUL Use Group B	8 A
Nominal voltage, UL/CUL Use Group D	300 V
Nominal current, UL/CUL Use Group D	8 A

Certificates / Approvals



Certification CUL, UL

CUL

Nominal voltage U_N	300 V
Nominal current I_N	8 A

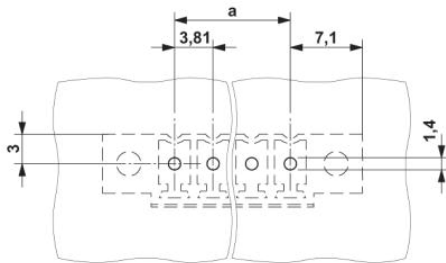
UL

Nominal voltage U_N	300 V
Nominal current I_N	8 A

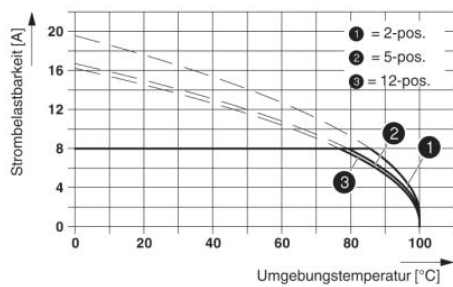
MCV 1,5/12-GF-3,81 P26 THRR72 Order No.: 1713444
<http://eshop.phoenixcontact.de/phoenix/treeViewClick.do?UID=1713444>

Diagrams/Drawings

Drilling plan/solder pad geometry

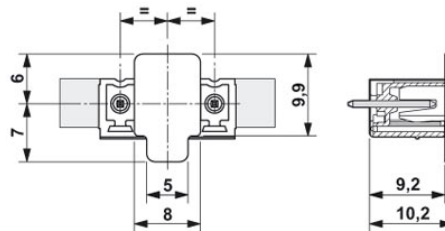
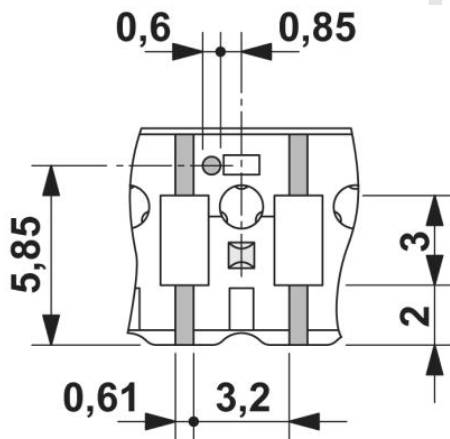


Diagram

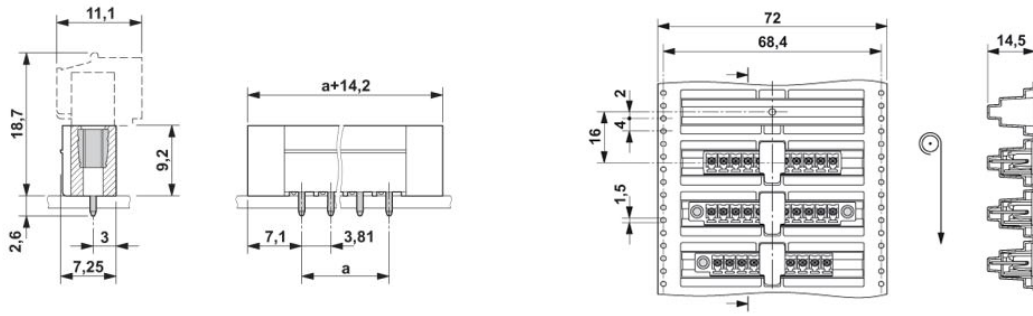


The illustration shows the derating curve for plugs MC 1,5/-STF-3,81 in combination with header MCV 1,5/-GF-3,81 P26 THR.

Dimensioned drawing



MCV 1,5/12-GF-3,81 P26 THRR72 Order No.: 1713444
<http://eshop.phoenixcontact.de/phoenix/treeViewClick.do?UID=1713444>



MCV 1,5/12-GF-3,81 P26 THRR72 Order No.: 1713444
<http://eshop.phoenixcontact.de/phoenix/treeViewClick.do?UID=1713444>

Address

PHOENIX CONTACT Deutschland GmbH
Flachmarktstr. 8
32825 Blomberg, Germany
Phone +49 5235 3 12000
Fax +49 5235 3 41200
<http://www.phoenixcontact.de>



© 2010 Phoenix Contact
Technical modifications reserved;

onlinecomponents.com