



Extract from the online catalog

MKDSP 10N/ 8-10,16

Order No.: 1700846



<http://eshop.phoenixcontact.de/phoenix/treeViewClick.do?UID=1700846>

PC terminal block, Nominal current: 76 A, Nom. voltage: 690 V, Pitch: 10.16 mm, Number of positions: 8, Type of connection: Screw connection, Assembly: Soldering, Conductor/PCB connection direction: 0 °, Color: green, The article can be aligned to create different nos. of positions!

Commercial data	
EAN	4046356502580
Note	Made-to-order
sales group	E530
Pack	50 pcs.
Customs tariff	85369010
Weight/Piece	0.060222 KG

Product notes

WEEE/RoHS-compliant since:
01/04/2010



<http://www.download.phoenixcontact.com>
Please note that the data given here has been taken from the online catalog. For comprehensive information and data, please refer to the user documentation. The General Terms and Conditions of Use apply to Internet downloads.

Technical data

Dimensions / positions	
Pitch	10.16 mm
Dimension a	71.12 mm
Number of positions	8

MKDSP 10N/ 8-10,16 Order No.: 1700846
http://eshop.phoenixcontact.de/phoenix/treeViewClick.do?UID=1700846

Pin dimensions	1 x 0,9 mm
Hole diameter	1.5 mm
Screw thread	M4
Tightening torque, min	1.2 Nm
Tightening torque max	1.5 Nm

Technical data

Insulating material group	I
Rated surge voltage (III/3)	8 kV
Rated surge voltage (III/2)	8 kV
Rated surge voltage (II/2)	6 kV
Rated voltage (III/2)	1000 V
Rated voltage (II/2)	1000 V
Connection in acc. with standard	EN-VDE
Nominal current I_N	76 A
Nominal voltage U_N	690 V
Nominal cross section	16 mm ²
Maximum load current	76 A
Insulating material	PA
Inflammability class acc. to UL 94	V0
Internal cylindrical gage	B6
Stripping length	10 mm

Connection data

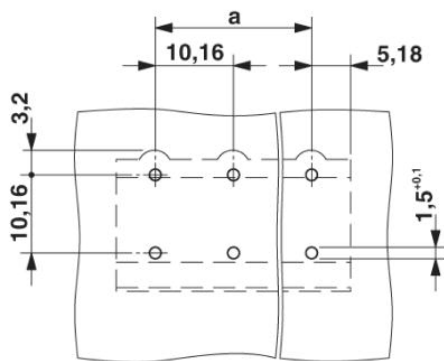
Conductor cross section solid min.	0.5 mm ²
Conductor cross section solid max.	16 mm ²
Conductor cross section stranded min.	0.5 mm ²
Conductor cross section stranded max.	16 mm ²
Conductor cross section stranded, with ferrule without plastic sleeve min.	0.5 mm ²
Conductor cross section stranded, with ferrule without plastic sleeve max.	16 mm ²
Conductor cross section stranded, with ferrule with plastic sleeve min.	0.5 mm ²
Conductor cross section stranded, with ferrule with plastic sleeve max.	16 mm ²
Conductor cross section AWG/kcmil min.	20
Conductor cross section AWG/kcmil max	6

MKDSP 10N/ 8-10,16 Order No.: 1700846
http://eshop.phoenixcontact.de/phoenix/treeViewClick.do?UID=1700846

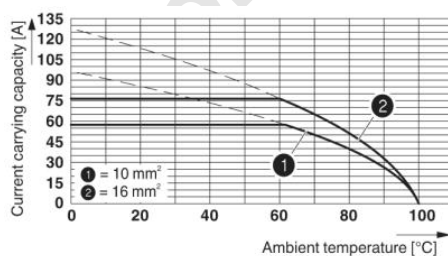
2 conductors with same cross section, solid min.	0.5 mm ²
2 conductors with same cross section, solid max.	4 mm ²
2 conductors with same cross section, stranded min.	0.5 mm ²
2 conductors with same cross section, stranded max.	4 mm ²
2 conductors with same cross section, stranded, ferrules without plastic sleeve, min.	0.5 mm ²
2 conductors with same cross section, stranded, ferrules without plastic sleeve, max.	2.5 mm ²
2 conductors with same cross section, stranded, TWIN ferrules with plastic sleeve, min.	0.5 mm ²
2 conductors with same cross section, stranded, TWIN ferrules with plastic sleeve, max.	6 mm ²

Diagrams/Drawings

Drilling plan/solder pad geometry



Diagram



Type: MKDSP 10/...-10,16

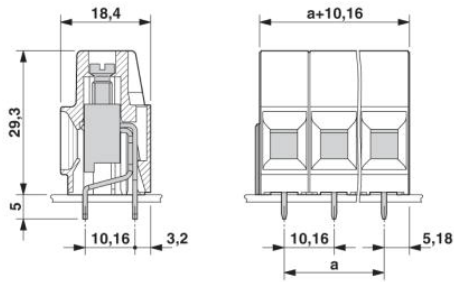
Test following DIN EN 60512-5-2:2003-01

Reduction factor = 1

No. of positions: 5

MKDSP 10N/ 8-10,16 Order No.: 1700846
<http://eshop.phoenixcontact.de/phoenix/treeViewClick.do?UID=1700846>

Dimensioned drawing



onlinecomponents.com

MKDSP 10N/ 8-10,16 Order No.: 1700846
<http://eshop.phoenixcontact.de/phoenix/treeViewClick.do?UID=1700846>

Address

PHOENIX CONTACT Deutschland GmbH
Flachmarktstr. 8
32825 Blomberg, Germany
Phone +49 5235 3 12000
Fax +49 5235 3 41200
<http://www.phoenixcontact.de>



© 2010 Phoenix Contact
Technical modifications reserved;

onlinecomponents.com