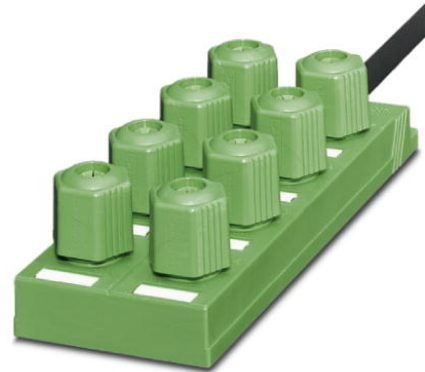




Extract from the online catalog

SACB-8Q/4P-L- 5,0PUR

Order No.: 1695281



<http://eshop.phoenixcontact.de/phoenix/treeViewClick.do?UID=1695281>

Sensor/actuator box, QUICKON, 0.34 mm² ... 0.75 mm², 8 Slots, 4-position, Status indication: Yes, pnp 180°, PUR/PVC, Cable length: 5 m, Shielding: No

Commercial data	
GTIN (EAN)	4017918177720
sales group	D104
Pack	1 pcs.
Customs tariff	85366990
Weight/Piece	0.8165 KG
Catalog page information	Page 119 (PC-2009)

Product notes

WEEE/RoHS-compliant since: 03/30/2006



<http://www.download.phoenixcontact.com>
Please note that the data given here has been taken from the online catalog. For comprehensive information and data, please refer to the user documentation. The General Terms and Conditions of Use apply to Internet downloads.

Technical data

General data	
Rated voltage	24 V DC
Max. operating voltage U _{max}	30 V DC
Current carrying capacity per I/O signal	4 A
Current carrying capacity per slot	4 A

SACB-8Q/4P-L- 5,0PUR Order No.: 1695281
http://eshop.phoenixcontact.de/phoenix/treeViewClick.do?UID=1695281

Total rated current	12 A
Number of positions	4
Number of slots	8
Degree of protection	IP65/IP67
Inflammability class acc. to UL 94	V0
Ambient temperature (operation)	-25 °C ... 60 °C
Sensor/actuator connection system	QUICKON

Local diagnostics function

Local diagnostics	Supply voltage LED green
	Status display I/O Yellow LED

Master cable data

Type of connection	Fixed connection
Length of cable	5 m
Cable type	Master cable suitable for flexible cable conduit
Signal line cross section	8x 0.34 mm ²
AWG signal line	22
Conductor structure signal line	42x 0.10 mm
Power supply cross section	3x 0.75 mm ²
AWG power supply	18
Conductor structure, voltage supply	96x 0.10 mm
External diameter	9.2 mm
Max. bending cycles	1500000
Bending radius	95 mm
Traversing path	2 m
Traversing rate	2 m/s
Ambient temperature (operation)	-40 °C ... 90 °C (for fixed installation)
	-5 °C ... 80 °C (for flexible installation)

Conductor data

Structure of individual litz in acc. with VDE 0295 / smallest wire diameter	Class 2-6 // 0.34 mm ² : 0.1 mm; 0.5 - 0.75 mm ² : 0.15 mm
Wire insulation material	PVC/PE
Wire diameter including insulation	≤ 2.5 mm
Minimum external conductor diameter	4 mm
Maximum external conductor diameter	7.5 mm

SACB-8Q/4P-L- 5,0PUR Order No.: 1695281
http://eshop.phoenixcontact.de/phoenix/treeViewClick.do?UID=1695281

Tightening torque, union nut	2.5 Nm
Wrench size, union nut	22 mm
Note on the frequency of connections	if the conductor is connected more than once, seal and cap may need to be replaced.
Conductor cross section stranded max.	0.75 mm ²
Conductor cross section stranded min.	0.34 mm ²
Conductor cross section AWG/kcmil min.	22
Conductor cross section AWG/kcmil max	18

Insulation material

Housing material	PA
Material of the moulding mass	PUR
Contact material	Steel/copper
Contact surface material	Sn

Pin assignment

Slot/position = Wire color or connection	1 / 4 (A) = WH
	2 / 4 (A) = GN
	3 / 4 (A) = YE
	4 / 4 (A) = GY
	5 / 4 (A) = PK
	6 / 4 (A) = RD
	7 / 4 (A) = BK
	8 / 4 (A) = VT
	1-8 / 1 (+ 120 V) = BN
	1-8 / 3 (0 V) = BU
	1-8 / 5 (PE) = GN/YE

Certificates / Approvals



Certification CUL, GOST, UL

CUL

Nominal voltage U _N	24 V
AWG/kcmil	22-16

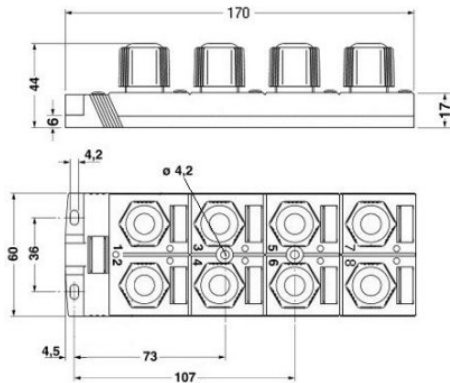
SACB-8Q/4P-L- 5,0PUR Order No.: 1695281
<http://eshop.phoenixcontact.de/phoenix/treeViewClick.do?UID=1695281>

UL

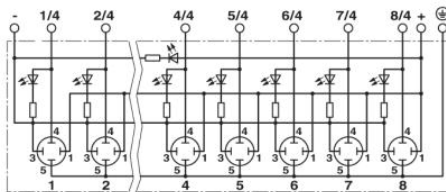
Nominal voltage U_N	24 V
AWG/kcmil	22-16

Diagrams/Drawings

Dimensioned drawing

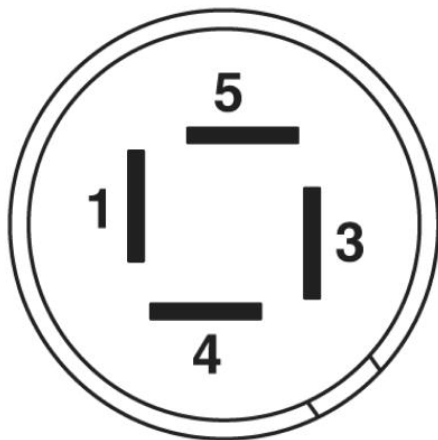


Circuit diagram



Schematic diagram

QUICKON connection, 4-pos.



SACB-8Q/4P-L- 5,0PUR Order No.: 1695281
<http://eshop.phoenixcontact.de/phoenix/treeViewClick.do?UID=1695281>

Address

PHOENIX CONTACT Deutschland GmbH
Flachmarktstr. 8
32825 Blomberg, Germany
Phone +49 5235 3 12000
Fax +49 5235 3 41200
<http://www.phoenixcontact.de>



© 2010 Phoenix Contact
Technical modifications reserved;

onlinecomponents.com