



Extract from the online catalog

SACC-M12MR-4CON-PG7

Order No.: 1681091



<http://eshop.phoenixcontact.de/phoenix/treeViewClick.do?UID=1681091>

Sensor/actuator connector, male, angled, 4-pos., M12, A-coded, screw connection, plastic knurl, cable screw connection Pg7

Commercial data	
EAN	4017918157494
Pack	1 pcs.
Customs tariff	85366990
Weight/Piece	0.0183 KG
Catalog page information	Page 45 (PC-2009)

Product notes

WEEE/RoHS-compliant since:
03/23/2006

<http://www.download.phoenixcontact.com>
Please note that the data given here has been taken from the online catalog. For comprehensive information and data, please refer to the user documentation. The General Terms and Conditions of Use apply to Internet downloads.

Technical data

General data	
Nominal current I_N	4 A
Nominal voltage U_N	250 V
Number of positions	4
Volume resistance	$\leq 8 \text{ m}\Omega$
Insulation resistance	$\geq 100 \text{ M}\Omega$

SACC-M12MR-4CON-PG7 Order No.: 1681091
http://eshop.phoenixcontact.de/phoenix/treeViewClick.do?UID=1681091

Ambient temperature (operation)	-40 °C ... 85 °C (plug/socket)
Pg screw connection	Pg7

General characteristics

Coding	A - standard
Inflammability class acc. to UL 94	V0
Surge voltage category	II
Pollution degree	3
Degree of protection	IP67
Contact material	CuZn
Contact surface material	CuSnZn
Contact carrier material	PA 66
Material of grip body	PBT
Material, knurls	Plastic
Sealing material	NBR
Type of connection	Screw connection
Conductor cross section stranded min.	0.25 mm ²
Conductor cross section stranded max.	0.75 mm ²
Conductor cross section AWG/kcmil min.	24
Conductor cross section AWG/kcmil max	18
Min. diameter	4 mm
Max. diameter	6 mm
Status display	No

Certificates / Approvals



Certification

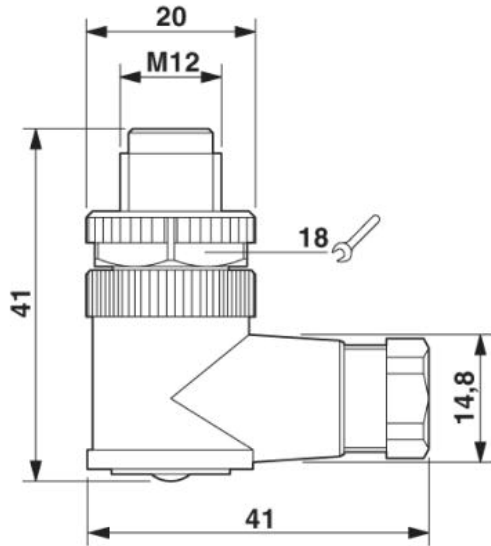
GOST

SACC-M12MR-4CON-PG7 Order No.: 1681091
<http://eshop.phoenixcontact.de/phoenix/treeViewClick.do?UID=1681091>

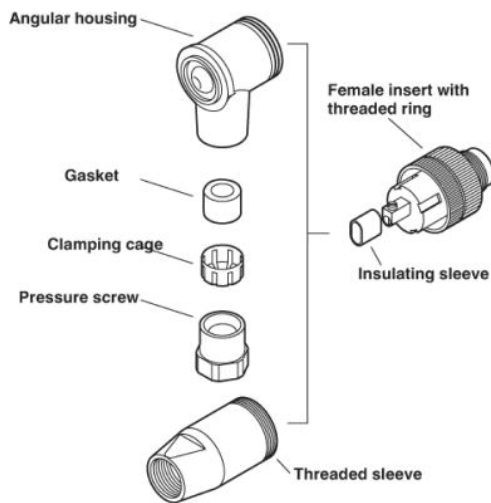
Drawings

Dimensioned drawing

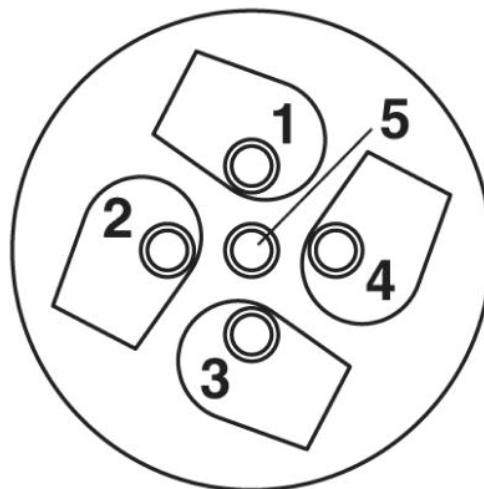
M12 x 1 male connector, angled



Schematic diagram

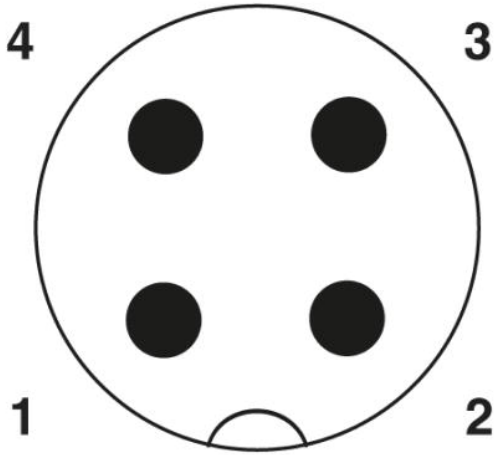


Male/Female M12



Cable connection side M12 (screw connection)

Pin assignment M12 plug, 4-pos., A-coded, view plug side



onlinecomponents.com

SACC-M12MR-4CON-PG7 Order No.: 1681091
<http://eshop.phoenixcontact.de/phoenix/treeViewClick.do?UID=1681091>

Address

PHOENIX CONTACT GmbH & Co. KG
Flachsmarktstr. 8
32825 Blomberg, Germany
Phone +49 5235 3 00
Fax +49 5235 3 41200
<http://www.phoenixcontact.de>



© 2009 Phoenix Contact
Technical modifications reserved;

onlinecomponents.com