



Extract from the online catalog

SACC-M12MR-5CON-PG 7

Order No.: 1662269



<http://eshop.phoenixcontact.de/phoenix/treeViewClick.do?UID=1662269>

Sensor/actuator connector, male, angled, 5-pos., M12, A-coded, screw connection, plastic knurl, cable screw connection Pg7

| Commercial data | |
|--------------------------|-------------------|
| EAN | 4017918100452 |
| sales group | D120 |
| Pack | 1 pcs. |
| Customs tariff | 85366990 |
| Weight/Piece | 0.0183 KG |
| Catalog page information | Page 45 (PC-2009) |

Product notes

WEEE/RoHS-compliant since:
03/23/2006



<http://www.download.phoenixcontact.com>
Please note that the data given here has been taken from the online catalog. For comprehensive information and data, please refer to the user documentation. The General Terms and Conditions of Use apply to Internet downloads.

Technical data

| General data | |
|-----------------------|----------------------------|
| Nominal current I_N | 4 A |
| Nominal voltage U_N | 60 V |
| Number of positions | 5 |
| Volume resistance | $\leq 8 \text{ m}\Omega$ |
| Insulation resistance | $\geq 100 \text{ M}\Omega$ |

SACC-M12MR-5CON-PG 7 Order No.: 1662269
<http://eshop.phoenixcontact.de/phoenix/treeViewClick.do?UID=1662269>

| | |
|--|--------------------------------|
| Ambient temperature (operation) | -40 °C ... 85 °C (plug/socket) |
| General characteristics | |
| Coding | A - standard |
| Surge voltage category | II |
| Pollution degree | 3 |
| Degree of protection | IP67 |
| Contact material | CuZn |
| Contact surface material | CuSnZn |
| Contact carrier material | PA 66 |
| Material of grip body | PBT |
| Material, knurls | Plastic |
| Sealing material | NBR |
| Type of connection | Screw connection |
| Conductor cross section stranded min. | 0.25 mm ² |
| Conductor cross section stranded max. | 0.75 mm ² |
| Conductor cross section AWG/kcmil min. | 24 |
| Conductor cross section AWG/kcmil max | 18 |
| Min. diameter | 4 mm |
| Max. diameter | 6 mm |
| Status display | No |

Certificates / Approvals



Certification

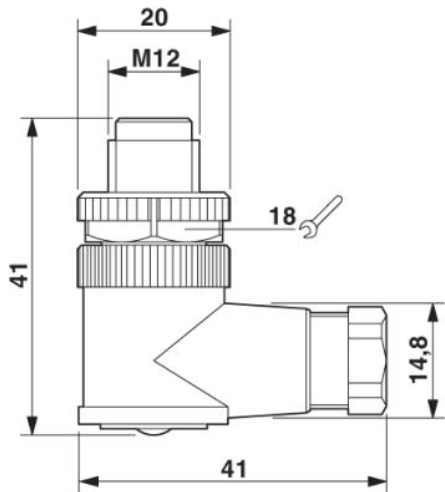
GOST

SACC-M12MR-5CON-PG 7 Order No.: 1662269
http://eshop.phoenixcontact.de/phoenix/treeViewClick.do?UID=1662269

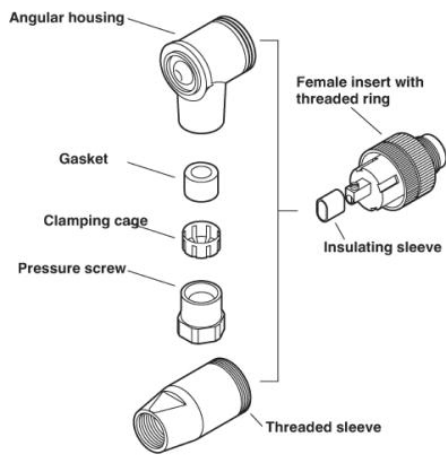
Diagrams/Drawings

Dimensioned drawing

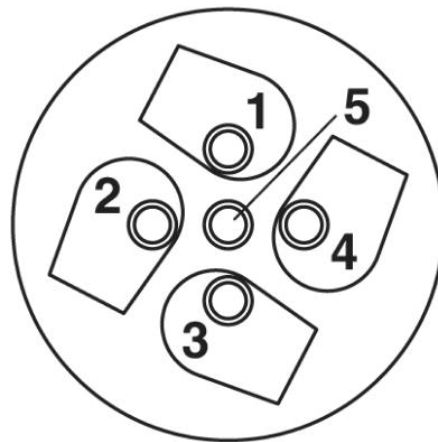
M12 x 1 male connector, angled



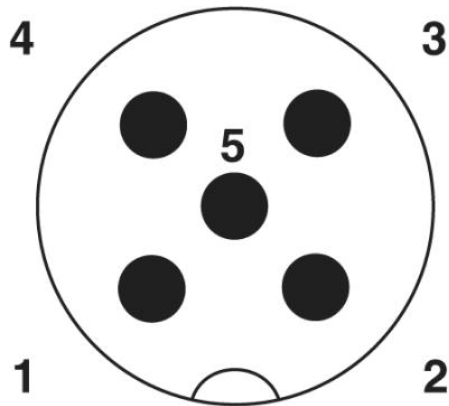
Schematic diagram



Male/Female M12



Cable connection side M12 (screw connection)



Pin assignment, connector M 12 (male side)

onlinecomponents.com

SACC-M12MR-5CON-PG 7 Order No.: 1662269
<http://eshop.phoenixcontact.de/phoenix/treeViewClick.do?UID=1662269>

Address

PHOENIX CONTACT Deutschland GmbH
Flachmarktstr. 8
32825 Blomberg, Germany
Phone +49 5235 3 12000
Fax +49 5235 3 41200
<http://www.phoenixcontact.de>



© 2010 Phoenix Contact
Technical modifications reserved;

onlinecomponents.com