



Extract from the online catalog

# SAC-17P-10,0-PVC/FR SCO

Order No.: 1555415



<http://eshop.phoenixcontact.de/phoenix/treeViewClick.do?UID=1555415>

Sensor/Actuator cable, 17-position, PVC, Black RAL 9005, Free conductor end, on Socket, angled M12-SPEEDCON, A-coded, Cable length: 10 m

Commercial data	
GTIN (EAN)	4046356176699
Note	Made-to-order
sales group	D118
Pack	1 pcs.
Customs tariff	85444290
Weight/Piece	0.6575 KG
Catalog page information	Page 96 (PC-2009)

### Product notes

WEEE/RoHS-compliant since: 04/13/2007



<http://www.download.phoenixcontact.com>  
Please note that the data given here has been taken from the online catalog. For comprehensive information and data, please refer to the user documentation. The General Terms and Conditions of Use apply to Internet downloads.

## Technical data

General data	
Rated current at 40°C	1.5 A
Rated voltage	30 V
Number of positions	17
Volume resistance	≤ 5 mΩ

SAC-17P-10,0-PVC/FR SCO Order No.: 1555415  
<http://eshop.phoenixcontact.de/phoenix/treeViewClick.do?UID=1555415>

Insulation resistance	≥ 10 MΩ
Length of cable	10 m
Stripping length of the free conductor end	35 mm

**General characteristics**

Coding	A - standard
Surge voltage category	II
Pollution degree	3
Degree of protection	IP65/IP68/IP69K
Contact material	CuZn
Contact surface material	Ni/Au
Contact carrier material	TPU GF
Material of grip body	TPU, hardly inflammable, self-extinguishing
Material, knurls	Zinc die-cast, (nickel-plated)
Sealing material	NBR
Status display	No

**Conductor data**

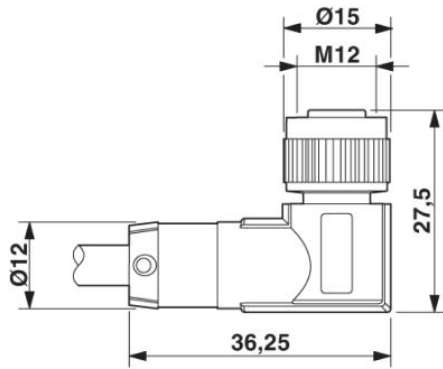
Cable type	PVC black
Conductor cross section	0.14 mm <sup>2</sup>
AWG signal line	26
Conductor structure signal line	18x 0.10 mm
Core diameter including insulation	1 mm ±0.05 mm
External cable diameter	6.40 mm
Wire colors	Color-coded DIN 47100
External sheath, color	Black RAL 9005
Overall twist	Wires twisted in layers
Outer sheath, material	PVC
Material conductor insulation	PVC
Conductor material	Bare Cu litz wires
Smallest bending radius, movable installation	96 mm

SAC-17P-10,0-PVC/FR SCO Order No.: 1555415  
<http://eshop.phoenixcontact.de/phoenix/treeViewClick.do?UID=1555415>

Diagrams/Drawings

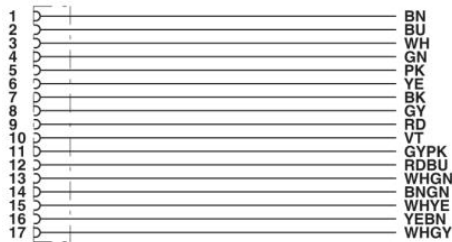
Dimensioned drawing

M12-SPEEDCON socket, angled



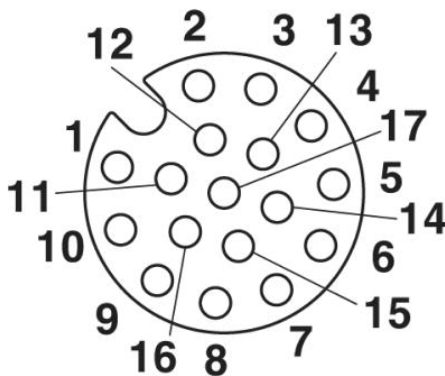
Circuit diagram

Contact assignment of the M12 socket



Schematic diagram

Pin assignment M12, 17-pos., female side view



SAC-17P-10,0-PVC/FR SCO Order No.: 1555415  
<http://eshop.phoenixcontact.de/phoenix/treeViewClick.do?UID=1555415>

---

**Address**

PHOENIX CONTACT Deutschland GmbH  
Flachmarktstr. 8  
32825 Blomberg, Germany  
Phone +49 5235 3 12000  
Fax +49 5235 3 41200  
<http://www.phoenixcontact.de>



© 2010 Phoenix Contact  
Technical modifications reserved;

onlinecomponents.com