



Extract from the online catalog

SAC-12P-MR/ 3,0-PVC SCO

Order No.: 1554827



<http://eshop.phoenixcontact.de/phoenix/treeViewClick.do?UID=1554827>

Sensor/Actuator cable, 12-position, PVC, Black RAL 9005, Plug, angled M12-SPEEDCON, A-coded, on Free conductor end, Cable length: 3 m

Commercial data	
GTIN (EAN)	4046356176439
sales group	D118
Pack	1 pcs.
Customs tariff	85444290
Weight/Piece	0.1647 KG
Catalog page information	Page 96 (PC-2009)

Product notes

WEEE/RoHS-compliant since:
04/13/2007



<http://www.download.phoenixcontact.com>
Please note that the data given here has been taken from the online catalog. For comprehensive information and data, please refer to the user documentation. The General Terms and Conditions of Use apply to Internet downloads.

Technical data

General data	
Rated current at 40°C	1.5 A
Rated voltage	30 V
Number of positions	12
Volume resistance	≤ 5 mΩ

SAC-12P-MR/ 3,0-PVC SCO Order No.: 1554827
<http://eshop.phoenixcontact.de/phoenix/treeViewClick.do?UID=1554827>

Insulation resistance	≥ 10 MΩ
Length of cable	3 m
Stripping length of the free conductor end	35 mm

General characteristics

Coding	A - standard
Surge voltage category	II
Pollution degree	3
Degree of protection	IP65/IP68/IP69K
Contact material	CuZn
Contact surface material	Ni/Au
Contact carrier material	TPU GF
Material of grip body	TPU, hardly inflammable, self-extinguishing
Material, knurls	Zinc die-cast, (nickel-plated)
Status display	No

Conductor data

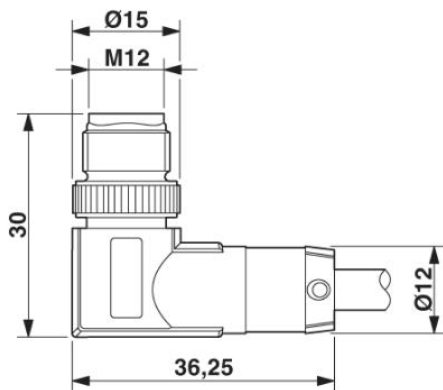
Cable type	PVC black
Conductor cross section	0.14 mm ²
AWG signal line	26
Conductor structure signal line	18x 0.10 mm
External cable diameter	5.90 mm
Wire colors	Color-coded DIN 47100
External sheath, color	Black RAL 9005
Conductor resistance	142 Ω/m
Overall twist	Wires twisted in layers
Outer sheath, material	PVC
Material conductor insulation	PVC
Conductor material	Bare Cu litz wires
Smallest bending radius, movable installation	88.5 mm

SAC-12P-MR/ 3,0-PVC SCO Order No.: 1554827
<http://eshop.phoenixcontact.de/phoenix/treeViewClick.do?UID=1554827>

Diagrams/Drawings

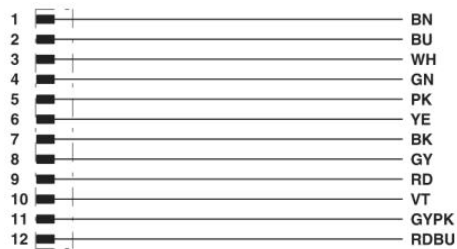
Dimensioned drawing

M12 SPEEDCON connector, angled



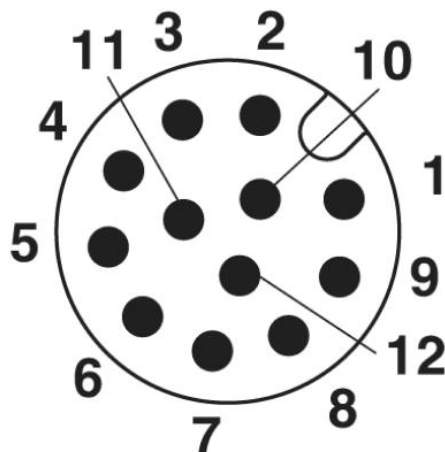
Circuit diagram

Contact assignment of the M12 plug



Schematic diagram

Pin assignment M12 male connector, 12-pos., male side view



SAC-12P-MR/ 3,0-PVC SCO Order No.: 1554827
<http://eshop.phoenixcontact.de/phoenix/treeViewClick.do?UID=1554827>

Address

PHOENIX CONTACT Deutschland GmbH
Flachmarktstr. 8
32825 Blomberg, Germany
Phone +49 5235 3 12000
Fax +49 5235 3 41200
<http://www.phoenixcontact.de>



© 2010 Phoenix Contact
Technical modifications reserved;

onlinecomponents.com