



Extract from the online catalog

SACC-M12MR-5SC SH DN

Order No.: 1549803



<http://eshop.phoenixcontact.de/phoenix/treeViewClick.do?UID=1549803>

Bus system plug connector, male, angled, 5-pos., M12, shielded, A-coded, spring-cage connection, metal knurl, cable cross section max. 8 mm



Commercial data	
EAN	4046356149020
Note	Made-to-order
sales group	D124
Pack	1 pcs.
Customs tariff	85444290
Weight/Piece	0.053 KG
Catalog page information	Page 283 (PC-2009)

Product notes

WEEE/RoHS-compliant since:
07/31/2006



<http://www.download.phoenixcontact.com>
Please note that the data given here has been taken from the online catalog. For comprehensive information and data, please refer to the user documentation. The General Terms and Conditions of Use apply to Internet downloads.

Technical data

General data	
Nominal current I_N	4 A
Nominal voltage U_N	60 V
Number of positions	5
Volume resistance	$\leq 8 \text{ m}\Omega$

SACC-M12MR-5SC SH DN Order No.: 1549803
http://eshop.phoenixcontact.de/phoenix/treeViewClick.do?UID=1549803

Insulation resistance	≥ 100 MΩ
Ambient temperature (operation)	-40 °C ... 85 °C (plug/socket)

General characteristics

Coding	A - standard
Surge voltage category	II
Pollution degree	3
Degree of protection	IP67
Contact material	CuSn
Contact surface material	Ni/Au
Contact carrier material	PA 66
Material of grip body	Zinc die-cast, nickel-plated
Material, knurls	Nickel-plated brass
Sealing material	NBR
Type of connection	Spring-cage conn.
Conductor cross section stranded min.	0.14 mm ²
Conductor cross section stranded max.	0.5 mm ²
Conductor cross section AWG/kcmil min.	26
Conductor cross section AWG/kcmil max	20
External cable diameter	4 mm ... 8 mm
Status display	No

Certificates / Approvals



Certification CUL, UL

CUL

Nominal voltage U _N	125 V
Nominal current I _N	4 A

UL

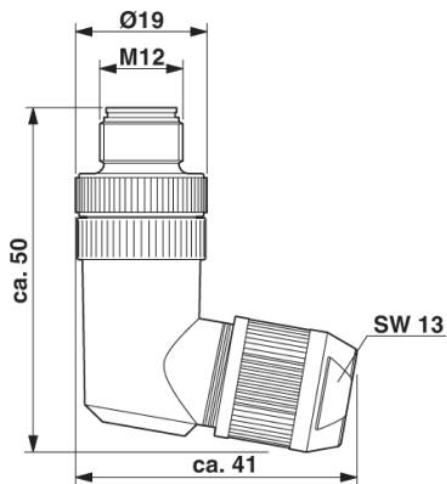
Nominal voltage U _N	125 V
Nominal current I _N	4 A

SACC-M12MR-5SC SH DN Order No.: 1549803
<http://eshop.phoenixcontact.de/phoenix/treeViewClick.do?UID=1549803>

Diagrams/Drawings

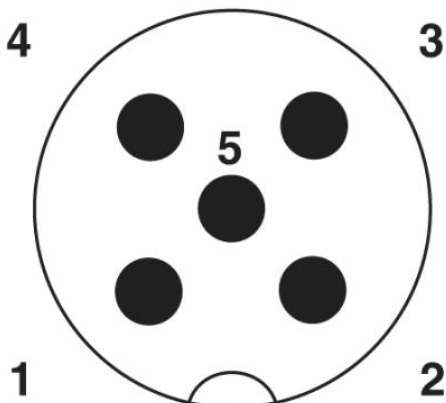
Dimensioned drawing

M12 x 1 female connector, angled, shielded



Schematic diagram

Pin assignment M12 male connector, 5-pos., A-coded, male side



SACC-M12MR-5SC SH DN Order No.: 1549803
<http://eshop.phoenixcontact.de/phoenix/treeViewClick.do?UID=1549803>

Address

PHOENIX CONTACT Deutschland GmbH
Flachmarktstr. 8
32825 Blomberg, Germany
Phone +49 5235 3 12000
Fax +49 5235 3 41200
<http://www.phoenixcontact.de>



© 2010 Phoenix Contact
Technical modifications reserved;

onlinecomponents.com