



Extract from the online catalog

# SACCBP-M12FSB-2CON-M16/1,0-910

Order No.: 1534397



<http://eshop.phoenixcontact.de/phoenix/treeViewClick.do?UID=1534397>

Bus system flush-type socket, PROFIBUS, 2-pos., M12, shielded, B-coded, rear/screw mounting with M16 thread, with 1 m bus cable, 2 x 0.25 mm<sup>2</sup>



Commercial data	
EAN	4046356026567
Pack	1 pcs.
Customs tariff	85444290
Weight/Piece	0.10015 KG
Catalog page information	Page 273 (PC-2009)

### Product notes

WEEE/RoHS-compliant since:  
06/09/2006



<http://www.download.phoenixcontact.com>  
Please note that the data given here has been taken from the online catalog. For comprehensive information and data, please refer to the user documentation. The General Terms and Conditions of Use apply to Internet downloads.

## Technical data

General data	
Nominal current I <sub>N</sub>	4 A
Nominal voltage U <sub>N</sub>	60 V
Number of positions	2
Volume resistance	≤ 3 mΩ

SACCBP-M12FSB-2CON-M16/1,0-910 Order No.: 1534397  
http://eshop.phoenixcontact.de/phoenix/treeViewClick.do?UID=1534397

Insulation resistance	≥ 10 GΩ
Length of cable	1 m
Ambient temperature (operation)	-25 °C ... 85 °C (plug/socket)
	-40 °C ... 80 °C (cable, fixed installation)
	-20 °C ... 80 °C (cable, flexible installation)

#### General characteristics

Coding	B - inverse
Inflammability class acc. to UL 94	V0
Surge voltage category	II
Pollution degree	3
Degree of protection	IP67
Contact material	CuZn
Contact surface material	Ni/Au
Contact carrier material	PA 66
Material, knurls	Nickel-plated brass
Sealing material	NBR
Mounting type	Rear mounting, M16 x 1.5 thread with flat nut
Status display	No
Test voltage	2500 V

#### Conductor data

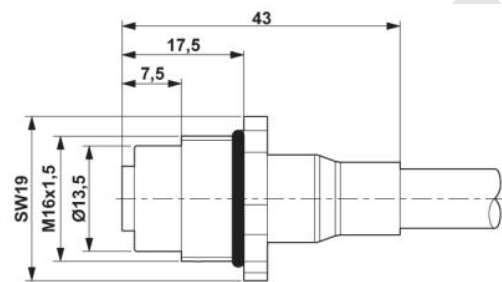
Cable type	PROFIBUS
Cable type (abbreviation)	910
Conductor cross section	0.25 mm <sup>2</sup>
AWG signal line	24
Conductor structure, signal line	19x 0.13 mm
Core diameter including insulation	2.55 mm ±0.07 mm
External cable diameter	7.80 mm
Wire colors	Red, green
External sheath, color	Violet, RAL 4001
Insulation resistance	≥ 5 GΩ*km
Conductor resistance	≤ 78.4 Ω/km
Working capacitance	32 pF (core-core)
Wave impedance	Nom. 150 Ω ±10 %
Nominal voltage, conductor	30 V

SACCBP-M12FSB-2CON-M16/1,0-910 Order No.: 1534397  
http://eshop.phoenixcontact.de/phoenix/treeViewClick.do?UID=1534397

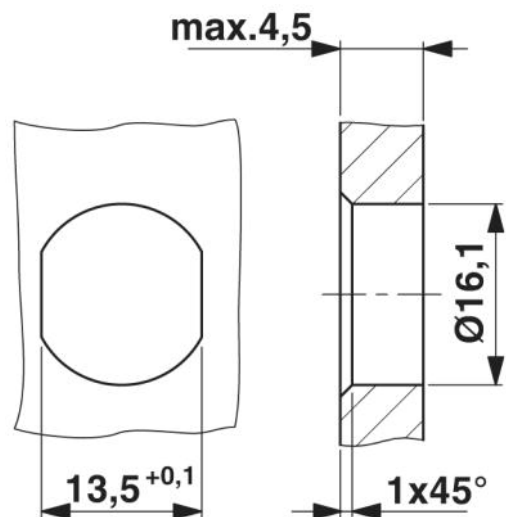
Test voltage Core/Core	1500 V
Type of pair shielding	Aluminum-lined polyester foil
Overall twist	2 cores with 2 fillers to the core
Shielding	Braided shielding made of tin-plated copper wires
Optical shield covering	80 %
Outer sheath, material	PUR
Material conductor insulation	Foamed PE
Conductor material	Tin-plated Cu litz wires
Smallest bending radius, fixed installation	Min. 78 mm
Smallest bending radius, movable installation	Min. 78 mm
Number of bending cycles	5000000
Bending radius	78 mm
Traversing path	10 m
Traversing rate	3 m/s
Acceleration	7 m/s <sup>2</sup>
Flame resistance	IEC 60332-1 DIN EN 50265-2-1

## Drawings

Dimensioned drawing

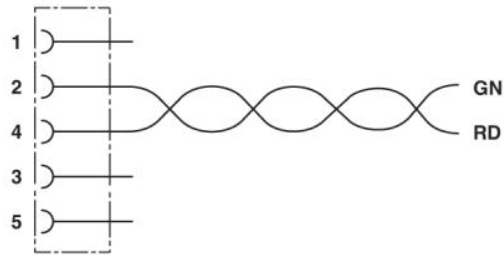


M12 flush-type connector



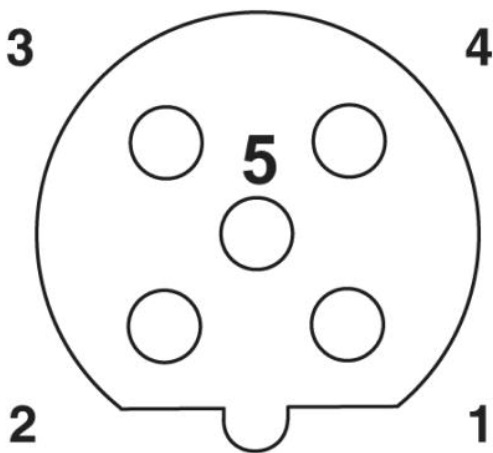
Housing cutout for M16 fastening thread, mounting panel with feed-through hole (alternatively with surface as protection against rotation)

Circuit diagram



Contact assignment of the M12 socket

Schematic diagram



Pin assignment M12 female connector, 5-pos., B-coded, female side

onlinecomponents.com

SACCBP-M12FSB-2CON-M16/1,0-910 Order No.: 1534397  
<http://eshop.phoenixcontact.de/phoenix/treeViewClick.do?UID=1534397>

---

**Address**

PHOENIX CONTACT GmbH & Co. KG  
Flachsmarktstr. 8  
32825 Blomberg, Germany  
Phone +49 5235 3 00  
Fax +49 5235 3 41200  
<http://www.phoenixcontact.de>



© 2009 Phoenix Contact  
Technical modifications reserved;

onlinecomponents.com