



Extract from the online catalog

SAC-6P- 1,5-PUR/M 8FR SH

Order No.: 1522448




<http://eshop.phoenixcontact.de/phoenix/treeViewClick.do?UID=1522448>

Sensor/actuator cable, 6-pos., PUR halogen-free black, shielded, free conductor end on angled M8 socket, cable length: 1.5 m

Commercial data	
EAN	4046356021180
Pack	1 pcs.
Customs tariff	85444290
Weight/Piece	0.0651 KG
Catalog page information	Page 91 (PC-2009)

Product notes

WEEE/RoHS-compliant since:
01/01/2008



<http://www.download.phoenixcontact.com>
Please note that the data given here has been taken from the online catalog. For comprehensive information and data, please refer to the user documentation. The General Terms and Conditions of Use apply to Internet downloads.

Technical data

General data	
Nominal current I_N	1.5 A
Nominal voltage U_N	30 V
Number of positions	6
Volume resistance	$\leq 5 \text{ m}\Omega$
Insulation resistance	$\geq 100 \text{ M}\Omega$

SAC-6P- 1,5-PUR/M 8FR SH Order No.: 1522448
<http://eshop.phoenixcontact.de/phoenix/treeViewClick.do?UID=1522448>

Length of cable	1.5 m
Ambient temperature (operation)	-25 °C ... 90 °C (plug/socket)
	-25 °C ... 80 °C (cable, fixed installation)
	-5 °C ... 80 °C (cable, flexible installation)

General characteristics

Coding	A - standard
Inflammability class acc. to UL 94	HB
Surge voltage category	II
Pollution degree	3
Degree of protection	IP65/IP67/IP69K
Contact material	CuZn
Contact surface material	Ni/Au
Contact carrier material	TPU GF
Material of grip body	TPU, hardly inflammable, self-extinguishing
Material, knurls	Zinc die-cast, (nickel-plated)
Sealing material	NBR
Status display	No

Conductor data

Cable type	PUR halogen-free black shielded
Conductor cross section	0.14 mm ²
AWG signal line	26
Conductor structure, signal line	18x 0.10 mm
Core diameter including insulation	1.05 mm ±0.02 mm
External cable diameter	5.20 mm
Wire colors	Brown, white, black, blue, gray, pink
External sheath, color	Black-gray RAL 7021
Outer sheath, material	PUR
Conductor material	Bare Cu litz wires
Cable weight	34 kg/km
Smallest bending radius, fixed installation	52 mm
Smallest bending radius, movable installation	52 mm
Number of bending cycles	4000000
Bending radius	52 mm
Traversing path	10 m

SAC-6P- 1,5-PUR/M 8FR SH Order No.: 1522448
<http://eshop.phoenixcontact.de/phoenix/treeViewClick.do?UID=1522448>

Traversing rate	3 m/s
Acceleration	10 m/s ²
Special properties	Flexible cable conduit capable
	Silicone-free
	Free of substances which would hinder coating with paint or varnish
Flame resistance	As per UL-Style 20549
Freedom from halogen	As per DIN VDE 0472 part 815
Resistance to oil	complying with DIN EN 60811-2-1
Other resistance	Highly resistant to acids, alkaline solutions and solvents
	hydrolysis and microbe resistant

Certificates / Approvals



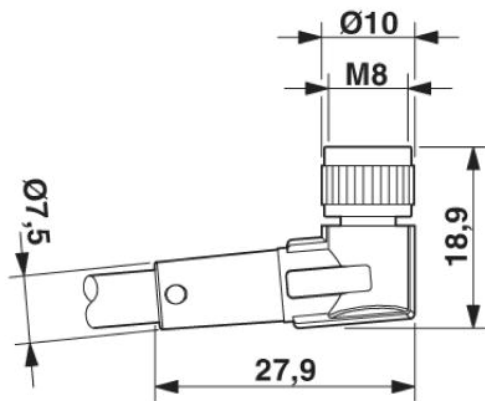
Certification

CUL Listed, UL Listed

Drawings

Dimensioned drawing

Socket M8 x 1, angled



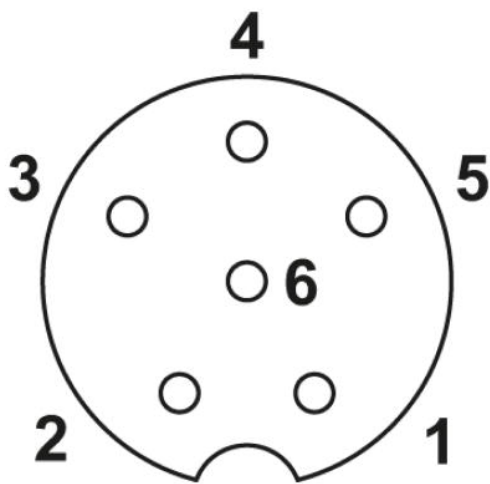
SAC-6P- 1,5-PUR/M 8FR SH Order No.: 1522448
<http://eshop.phoenixcontact.de/phoenix/treeViewClick.do?UID=1522448>

Circuit diagram



Contact assignment of M8 socket

Schematic diagram



Pin assignment M8 socket, 6-pos.

SAC-6P- 1,5-PUR/M 8FR SH Order No.: 1522448
<http://eshop.phoenixcontact.de/phoenix/treeViewClick.do?UID=1522448>

Address

PHOENIX CONTACT GmbH & Co. KG
Flachsmarktstr. 8
32825 Blomberg, Germany
Phone +49 5235 3 00
Fax +49 5235 3 41200
<http://www.phoenixcontact.de>



© 2009 Phoenix Contact
Technical modifications reserved;

onlinecomponents.com