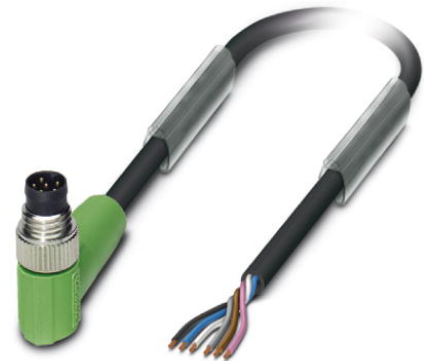




Extract from the online catalog

SAC-6P-M 8MR/ 3,0-PUR

Order No.: 1522150



<http://eshop.phoenixcontact.de/phoenix/treeViewClick.do?UID=1522150>

Sensor/Actuator cable, 6-position, PUR, halogen-free, Black-gray RAL 7021, Plug, angled M8, on Free conductor end, Cable length: 3 m

Commercial data	
GTIN (EAN)	4046356020954
Note	Made-to-order
sales group	D131
Pack	1 pcs.
Customs tariff	85444290
Weight/Piece	0.1101 KG
Catalog page information	Page 90 (PC-2009)

Product notes

WEEE/RoHS-compliant since: 09/21/2006

<http://www.download.phoenixcontact.com>
Please note that the data given here has been taken from the online catalog. For comprehensive information and data, please refer to the user documentation. The General Terms and Conditions of Use apply to Internet downloads.

Technical data	
General data	
Rated current at 40°C	1.5 A
Rated voltage	30 V
Number of positions	6
Volume resistance	≤ 5 mΩ
Insulation resistance	≥ 100 MΩ

SAC-6P-M 8MR/ 3,0-PUR Order No.: 1522150
<http://eshop.phoenixcontact.de/phoenix/treeViewClick.do?UID=1522150>

Length of cable	3 m
Stripping length of the free conductor end	50 mm
General characteristics	
Coding	A - standard
Surge voltage category	II
Pollution degree	3
Degree of protection	IP65/IP68/IP69K
Contact material	CuZn
Contact surface material	Ni/Au
Contact carrier material	TPU GF
Material of grip body	TPU, hardly inflammable, self-extinguishing
Material, knurls	Zinc die-cast, (nickel-plated)
Status display	No
Conductor data	
Cable type	PUR halogen-free black
Cable type (abbreviation)	PUR
Conductor cross section	0.25 mm ²
AWG signal line	24
Conductor structure signal line	32 x 0.10 mm
Core diameter including insulation	1.17 mm ±0.02 mm
External cable diameter	5.00 mm
Wire colors	brown, white, blue, black, gray, pink
External sheath, color	Black-gray RAL 7021
Outer sheath, material	PUR
Conductor material	Bare Cu litz wires
Cable weight	34 kg/km
Number of bending cycles	4000000
Bending radius	50 mm
Traversing path	10 m
Traversing rate	3 m/s
Acceleration	10 m/s ²
Ambient temperature (operation)	-40 °C ... 80 °C (cable, fixed installation)
	-5 °C ... 80 °C (cable, flexible installation)

SAC-6P-M 8MR/ 3,0-PUR Order No.: 1522150
<http://eshop.phoenixcontact.de/phoenix/treeViewClick.do?UID=1522150>

Special properties	Flexible cable conduit capable
	Silicone-free
	Free of substances which would hinder coating with paint or varnish
Flame resistance	As per UL-Style 20549
Freedom from halogen	As per DIN VDE 0472 part 815
Resistance to oil	complying with DIN EN 60811-2-1
Other resistance	Highly resistant to acids, alkaline solutions and solvents
	hydrolysis and microbe resistant

Certificates / Approvals



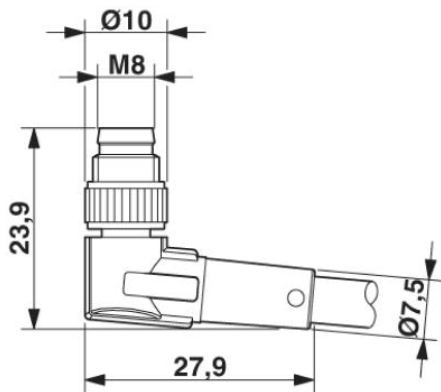
Certification

CUL Listed, UL Listed

Diagrams/Drawings

Dimensioned drawing

M8 x 1 male connector, angled version



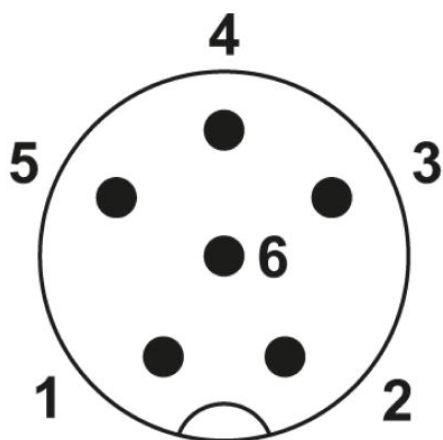
SAC-6P-M 8MR/ 3,0-PUR Order No.: 1522150
<http://eshop.phoenixcontact.de/phoenix/treeViewClick.do?UID=1522150>

Circuit diagram



Contact assignment of the M8 plug

Schematic diagram



Pin assignment M8 plug, 6-pos., view male side

SAC-6P-M 8MR/ 3,0-PUR Order No.: 1522150
<http://eshop.phoenixcontact.de/phoenix/treeViewClick.do?UID=1522150>

Address

PHOENIX CONTACT Deutschland GmbH
Flachmarktstr. 8
32825 Blomberg, Germany
Phone +49 5235 3 12000
Fax +49 5235 3 41200
<http://www.phoenixcontact.de>



© 2010 Phoenix Contact
Technical modifications reserved;

onlinecomponents.com