



Extract from the online catalog

SAC-4P-25,0-100/M12FR VA

Order No.: 1521559

<http://eshop.phoenixcontact.de/phoenix/treeViewClick.do?UID=1521559>

Sensor/Actuator cable, 3-position, PUR/PVC, Gray RAL 7001, Free conductor end, on Socket, angled M12, A-coded, Cable length: 25 m

Commercial data	
GTIN (EAN)	4017918945619
Note	Made-to-order
sales group	D111
Pack	5 pcs.
Customs tariff	85444290
Weight/Piece	1.01596 KG

Product notes

WEEE/RoHS-compliant since:
03/02/2006



<http://www.download.phoenixcontact.com>
Please note that the data given here has been taken from the online catalog. For comprehensive information and data, please refer to the user documentation. The General Terms and Conditions of Use apply to Internet downloads.

Technical data

General data	
Rated current at 40°C	4 A
Rated voltage	250 V
Number of positions	3
Volume resistance	≤ 5 mΩ
Insulation resistance	≥ 100 MΩ
Length of cable	25 m
Stripping length of the free conductor end	50 mm

SAC-4P-25,0-100/M12FR VA Order No.: 1521559
<http://eshop.phoenixcontact.de/phoenix/treeViewClick.do?UID=1521559>

General characteristics

Coding	A - standard
Surge voltage category	II
Pollution degree	3
Degree of protection	IP65/IP68/IP69K
Insertion/withdrawal cycles	≥ 100
Contact material	CuSn
Contact surface material	Ni/Au
Contact carrier material	TPU GF
Material of grip body	TPU, hardly inflammable, self-extinguishing
Material, knurls	High-grade steel
Sealing material	NBR
Status display	No

Conductor data

Cable type	PUR/PVC gray
Cable type (abbreviation)	100
Cable abbreviation	LIYY-11Y
Conductor cross section	0.34 mm ²
AWG signal line	22
Conductor structure signal line	42x 0.10 mm
Core diameter including insulation	1.52 mm ±0.02 mm
Thickness, insulation	≥ 0.23 mm (Core insulation)
	≥ 0.38 mm (Outer cable sheath)
	Approx. 0.35 mm (Inner sheath)
External cable diameter	5.20 mm
Wire colors	Brown, white, blue, black
External sheath, color	Gray RAL 7001
Insulation resistance	≥ 100 MΩ*km
Conductor resistance	max. 57.3 Ω/km
Nominal voltage, conductor	300 V
Test voltage, conductor	2500 V
Overall twist	4 wires, twisted
Outer sheath, material	PUR
Material, inner sheath	PVC
Material conductor insulation	PVC

SAC-4P-25,0-100/M12FR VA Order No.: 1521559
<http://eshop.phoenixcontact.de/phoenix/treeViewClick.do?UID=1521559>

Conductor material	Bare Cu litz wires
Cable weight	39 kg/km
Smallest bending radius, fixed installation	52 mm
Smallest bending radius, movable installation	52 mm
Number of bending cycles	2000000
Bending radius	52 mm
Traversing path	5 m
Traversing rate	3 m/s
Ambient temperature (operation)	-25 °C ... 80 °C (cable, fixed installation) -5 °C ... 80 °C (cable, flexible installation)

Certificates / Approvals

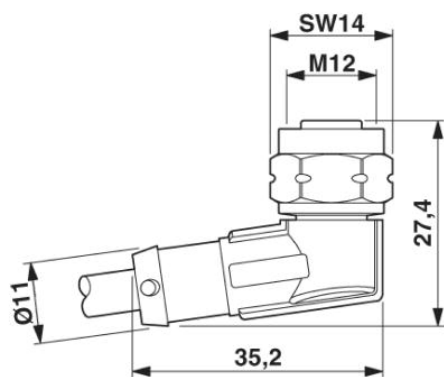


Certification

CUL Listed, UL Listed

Diagrams/Drawings

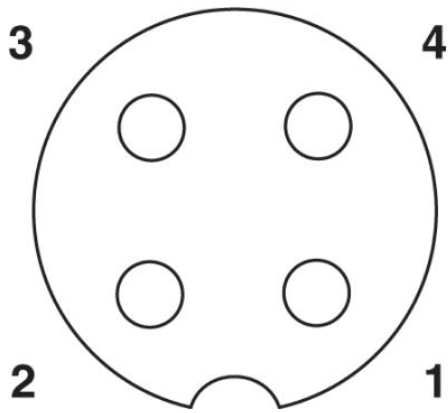
Dimensioned drawing



M12 x 1 female connector, angled

Schematic diagram

Pin assignment M12 socket, 4-pos., A-coded, view female side



onlinecomponents.com

SAC-4P-25,0-100/M12FR VA Order No.: 1521559
<http://eshop.phoenixcontact.de/phoenix/treeViewClick.do?UID=1521559>

Address

PHOENIX CONTACT Deutschland GmbH
Flachmarktstr. 8
32825 Blomberg, Germany
Phone +49 5235 3 12000
Fax +49 5235 3 41200
<http://www.phoenixcontact.de>



© 2010 Phoenix Contact
Technical modifications reserved;

onlinecomponents.com