



Extract from the online catalog

SACC-E-MSB-5CON-M16/0,5 SCO

Order No.: 1520013



<http://eshop.phoenixcontact.de/phoenix/treeViewClick.do?UID=1520013>

Fieldbus flush-type plug, INTERBUS/PROFIBUS, 5-pos., M12 SPEEDCON, B-coded, front/screw mounting with M16 thread, with 0.5 m TPE litz wire, 5x0.25 mm²

Commercial data	
EAN	4046356020107
Pack	1 pcs.
Customs tariff	85444290
Weight/Piece	0.0213 KG
Catalog page information	Page 26 (PC-2009)

Product notes

WEEE/RoHS-compliant since:
01/01/2008



<http://www.download.phoenixcontact.com>
Please note that the data given here has been taken from the online catalog. For comprehensive information and data, please refer to the user documentation. The General Terms and Conditions of Use apply to Internet downloads.

Technical data

General data	
Nominal current I _N	4 A
Nominal voltage U _N	60 V
Number of positions	5
Volume resistance	≤ 3 mΩ

SACC-E-MSB-5CON-M16/0,5 SCO Order No.: 1520013
<http://eshop.phoenixcontact.de/phoenix/treeViewClick.do?UID=1520013>

Insulation resistance	≥ 100 MΩ
Length of cable	0.5 m
Ambient temperature (operation)	-25 °C ... 85 °C (plug/socket)

General characteristics

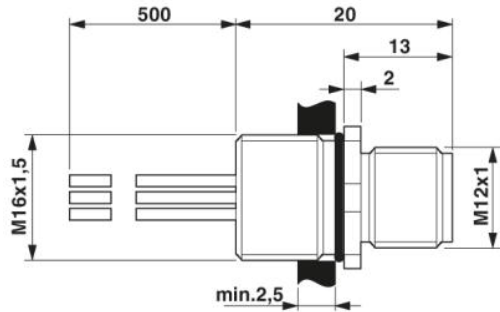
Coding	B - inverse
Surge voltage category	II
Pollution degree	3
Degree of protection	IP67
Contact material	CuZn
Contact surface material	Au
Contact carrier material	PA 66
Material, knurls	Zinc die-cast, (nickel-plated)
Sealing material	NBR
Mounting type	Front mounting M16 x 1.5
Type of connection	Individual wires
Status display	No

Conductor data

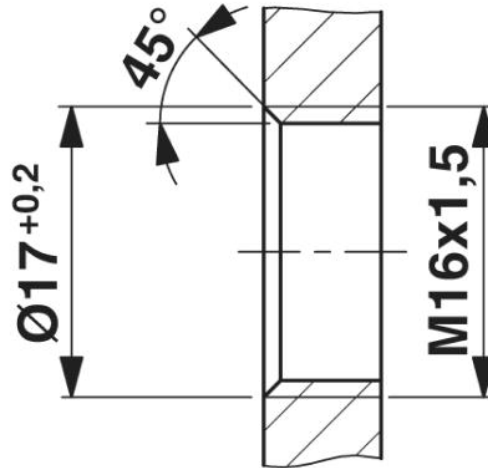
Cable type	TPE litz wire
Conductor cross section	0.34 mm ²
AWG signal line	22
Conductor structure, signal line	7x 0.25 mm
Core diameter including insulation	1.2 mm ±0.07 mm
Thickness, insulation	0.21 mm
Wire colors	Black, brown, blue, white, gray
Insulation resistance	≥ 20 MΩ*km
Conductor resistance	≤ 57.6 mΩ/m
Nominal voltage, conductor	300 V
Test voltage, conductor	2000 V AC
Material conductor insulation	TPE
Conductor material	Tin-plated Cu litz wires
Ambient temperature (operation)	-25 °C ... 90 °C (cable, fixed installation)

Diagrams/Drawings

Dimensioned drawing

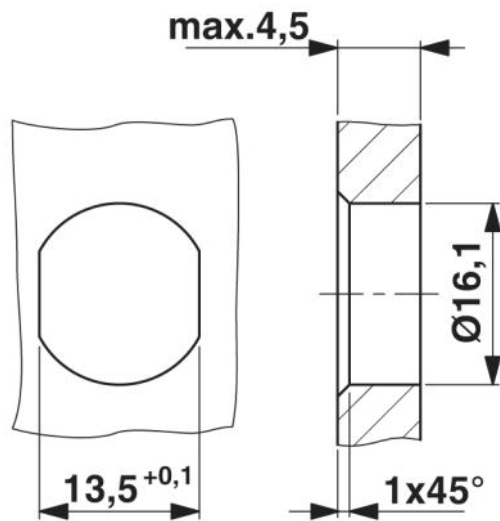


M12 flush-type plug



Housing cutout for M16 fastening thread, mounting panel with thread

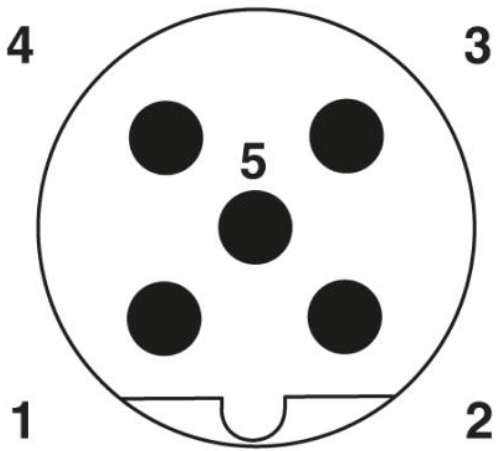
Housing cutout for M16 fastening thread, mounting panel with feed-through hole (alternatively with surface as protection against rotation)



SACC-E-MSB-5CON-M16/0,5 SCO Order No.: 1520013
<http://eshop.phoenixcontact.de/phoenix/treeViewClick.do?UID=1520013>

Schematic diagram

Pin assignment M12 male connector, 5-pos., B-coded, male side



onlinecomponents.com

SACC-E-MSB-5CON-M16/0,5 SCO Order No.: 1520013
<http://eshop.phoenixcontact.de/phoenix/treeViewClick.do?UID=1520013>

Address

PHOENIX CONTACT Deutschland GmbH
Flachmarktstr. 8
32825 Blomberg, Germany
Phone +49 5235 3 12000
Fax +49 5235 3 41200
<http://www.phoenixcontact.de>



© 2010 Phoenix Contact
Technical modifications reserved;

onlinecomponents.com