



Extract from the online catalog

# SACB-6/12-10,0PUR SCO

Order No.: 1517039



<http://eshop.phoenixcontact.de/phoenix/treeViewClick.do?UID=1517039>

Sensor/actuator box, M12-SPEEDCON-socket, 6 Slots, 5-position, Status indication: No, Universal 180°, PUR/PVC, Cable length: 10 m, Shielding: No

Commercial data	
GTIN (EAN)	4017918967703
Note	Made-to-order
sales group	D101
Pack	1 pcs.
Customs tariff	85366990
Weight/Piece	2.0755 KG
Catalog page information	Page 116 (PC-2009)

### Product notes

WEEE/RoHS-compliant since:  
01/01/2008



<http://www.download.phoenixcontact.com>  
Please note that the data given here has been taken from the online catalog. For comprehensive information and data, please refer to the user documentation. The General Terms and Conditions of Use apply to Internet downloads.

## Technical data

General data	
Rated voltage	120 V
Max. operating voltage $U_{max}$	135 V
Current carrying capacity per I/O signal	2 A
Current carrying capacity per slot	4 A

SACB-6/12-10,0PUR SCO Order No.: 1517039  
<http://eshop.phoenixcontact.de/phoenix/treeViewClick.do?UID=1517039>

Total rated current	12 A
Number of positions	5
Number of slots	6
Degree of protection	IP65/IP67/IP69K
Inflammability class acc. to UL 94	V0
Ambient temperature (operation)	-30 °C ... 90 °C
Sensor/actuator connection system	M12-SPEEDCON-socket
<b>Master cable connection data</b>	
Type of connection	Fixed connection
Length of cable	10 m
Ambient temperature (operation)	-40 °C ... 90 °C (for fixed installation) -5 °C ... 80 °C (for flexible installation)
Tightening torque slot sensor/actuator cable	0.4 Nm
Tightening torque screw plug	0.4 Nm
<b>Insulation material</b>	
Housing material	PBT
Material of the moulding mass	PUR
Contact material	Cu alloy
Contact surface material	Gold-plated
Contact carrier material	PA
Material of threaded sleeve	Zinc die-cast
Material of threaded sleeve surface	Nickel-plated
Material, O-ring	NBR
<b>Pin assignment</b>	
Slot/position = Wire color or connection	1 / 4 (A) = WH

SACB-6/12-10,0PUR SCO Order No.: 1517039  
http://eshop.phoenixcontact.de/phoenix/treeViewClick.do?UID=1517039

	1 / 2 (B) = GY/PK
	2 / 4 (A) = GN
	2 / 2 (B) = RD/BU
	3 / 4 (A) = YE
	3 / 2 (B) = WH/GN
	4 / 4 (A) = GY
	4 / 2 (B) = BN/GN
	5 / 4 (A) = PK
	5 / 2 (B) = WH/YE
	6 / 4 (A) = RD
	6 / 2 (B) = YE/BN
	1-6 / 1 (+ 120 V) = BN
	1-6 / 3 (0 V) = BU
	1-6 / 5 (PE) = GN/YE

**Conductor data**

Cable type	PUR/PVC black
Cable abbreviation	LiYY11Y-HF
Conductor cross section	12x 0.5 mm <sup>2</sup> (signal line) 3x 1 mm <sup>2</sup> (Power supply)
AWG signal line	20
Conductor structure signal line	64x 0.10 mm
AWG power supply	17
Conductor structure, voltage supply	128x 0.10 mm
External cable diameter	10.50 mm
External sheath, color	Deep black RAL 9005
Nominal voltage, conductor	300 V
Test voltage, conductor	2000 V
Outer sheath, material	PUR
Material, inner sheath	PVC
Material conductor insulation	PVC
Conductor material	Bare Cu litz wires
Smallest bending radius, fixed installation	110 mm
Smallest bending radius, movable installation	110 mm
Number of bending cycles	1500000
Bending radius	110 mm

SACB-6/12-10,0PUR SCO Order No.: 1517039  
<http://eshop.phoenixcontact.de/phoenix/treeViewClick.do?UID=1517039>

Traversing path	2 m
Traversing rate	2 m/s
Special properties	Silicone-free
	Free of substances which would hinder coating with paint or varnish
Flame resistance	DIN EN 50265-2-1
Resistance to oil	As per VDE 0472 Part 803
Other resistance	Highly resistant to acids, alkaline solutions and solvents

**Certificates / Approvals**



Certification CUL, UL

**CUL**

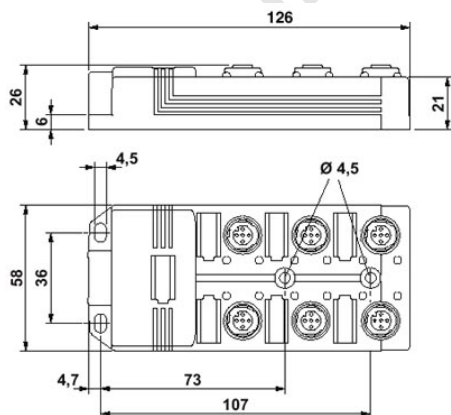
Nominal voltage $U_N$	120 V
Nominal current $I_N$	3 A

**UL**

Nominal voltage $U_N$	120 V
Nominal current $I_N$	3 A

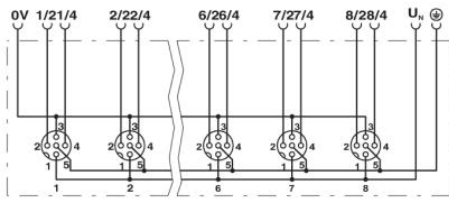
**Diagrams/Drawings**

Dimensioned drawing



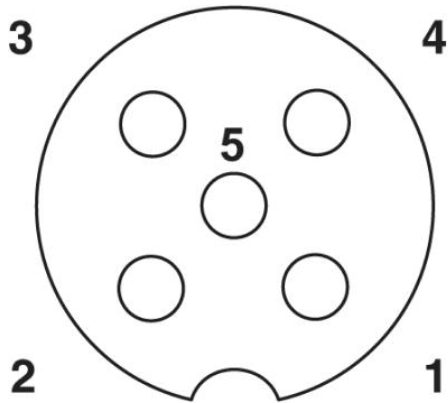
SACB-6/12-10,0PUR SCO Order No.: 1517039  
<http://eshop.phoenixcontact.de/phoenix/treeViewClick.do?UID=1517039>

Circuit diagram



Schematic diagram

M12 slot, socket, 5-pos.



onlinecomponents.com

SACB-6/12-10,0PUR SCO Order No.: 1517039  
<http://eshop.phoenixcontact.de/phoenix/treeViewClick.do?UID=1517039>

---

**Address**

PHOENIX CONTACT Deutschland GmbH  
Flachmarktstr. 8  
32825 Blomberg, Germany  
Phone +49 5235 3 12000  
Fax +49 5235 3 41200  
<http://www.phoenixcontact.de>



© 2010 Phoenix Contact  
Technical modifications reserved;

onlinecomponents.com