



Extract from the online catalog

SACC-EC-M12MS-8CON-PG9/0,5

Order No.: 1513787



<http://eshop.phoenixcontact.de/phoenix/treeViewClick.do?UID=1513787>

Sensor/Actuator flush-type plug, 8-pos., M12, A-coded, front/screw mounting with PG9 thread, can be positioned, with 0.5 m TPE litz wire, 8 x 0.25 mm²

Commercial data	
EAN	4017918914677
Pack	1 pcs.
Customs tariff	85444290
Weight/Piece	0.03 KG
Catalog page information	Page 25 (PC-2009)

Product notes

WEEE/RoHS-compliant since:
05/29/2006



<http://www.download.phoenixcontact.com>
Please note that the data given here has been taken from the online catalog. For comprehensive information and data, please refer to the user documentation. The General Terms and Conditions of Use apply to Internet downloads.

Technical data

General data	
Nominal current I _N	2 A
Nominal voltage U _N	30 V
Number of positions	8
Volume resistance	≤ 3 mΩ

SACC-EC-M12MS-8CON-PG9/0,5 Order No.: 1513787
<http://eshop.phoenixcontact.de/phoenix/treeViewClick.do?UID=1513787>

Insulation resistance	≥ 100 MΩ
Length of cable	0.5 m
Ambient temperature (operation)	-25 °C ... 85 °C (plug/socket)

General characteristics

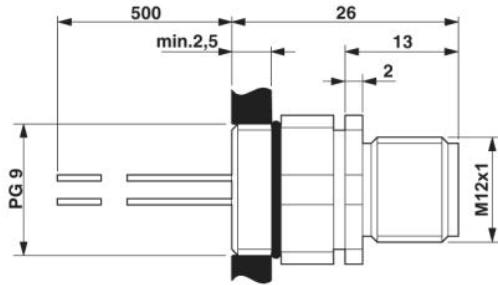
Coding	A - standard
Surge voltage category	II
Pollution degree	3
Degree of protection	IP67
Contact material	CuZn
Contact surface material	Au
Contact carrier material	PA66 GF
Material, knurls	Zinc die-cast, (nickel-plated)
Sealing material	NBR
Mounting type	Front mounting Pg9 With locking nut
Type of connection	Individual wires
Status display	No

Conductor data

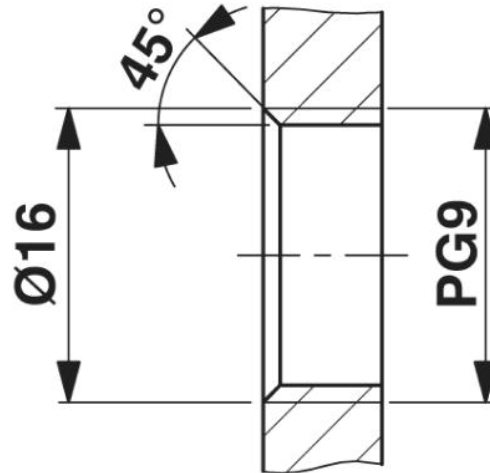
Cable type	TPE litz wire
Conductor cross section	0.25 mm ²
AWG signal line	24
Conductor structure, signal line	14x 0.15 mm
Core diameter including insulation	1.15 mm ±0.07 mm
Thickness, insulation	0.21 mm
Wire colors	Brown, blue, white, gray, pink, green, yellow, red
Insulation resistance	≥ 20 MΩ*km
Conductor resistance	≤ 80 mΩ/m
Nominal voltage, conductor	300 V
Test voltage, conductor	2000 V AC
Material conductor insulation	TPE
Conductor material	Tin-plated Cu litz wires
Ambient temperature (operation)	-25 °C ... 90 °C (cable, fixed installation)

Diagrams/Drawings

Dimensioned drawing

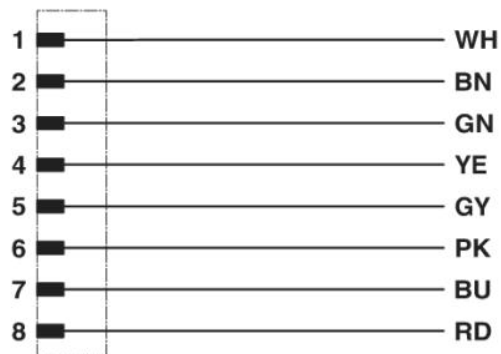


Flush-type plug M12, can be positioned



Housing cutout for Pg9 fastening thread,
mounting panel with thread

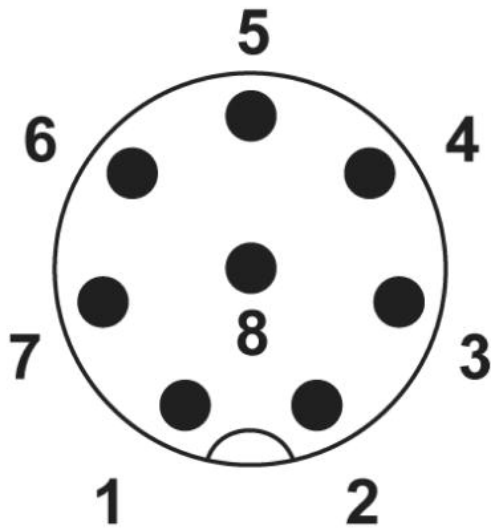
Circuit diagram



Contact assignment of the M12 plug and the M12 socket

Schematic diagram

Pin assignment M12 plug, 8-pos., view plug side



onlinecomponents.com

SACC-EC-M12MS-8CON-PG9/0,5 Order No.: 1513787
<http://eshop.phoenixcontact.de/phoenix/treeViewClick.do?UID=1513787>

Address

PHOENIX CONTACT Deutschland GmbH
Flachmarktstr. 8
32825 Blomberg, Germany
Phone +49 5235 3 12000
Fax +49 5235 3 41200
<http://www.phoenixcontact.de>



© 2010 Phoenix Contact
Technical modifications reserved;

onlinecomponents.com