

Connection terminal block - AKG 16 BU - 0423014


Please be informed that the data shown in this PDF Document is generated from our Online Catalog. Please find the complete data in the user's documentation. Our General Terms of Use for Downloads are valid (<http://phoenixcontact.com/download>)



Connection terminal block, Connection method Screw connection, Load current : 76 A, Cross section: 1.5 mm² - 16 mm², Width: 9.8 mm, Color: blue



Key commercial data

Packing unit	1 pc
Minimum order quantity	50 pc
GTIN	 4 017918 001995
Weight per Piece (excluding packing)	10.52 GRM
Custom tariff number	85369010
Country of origin	Germany

Technical data

General

Color	blue
Insulating material	PA
Inflammability class according to UL 94	V2
Maximum load current	76 A (with 16 mm ² conductor cross section)
Nominal current I _N	76 A
Nominal voltage U _N	300 V
Checking the mechanical stability of terminal points (5 x conductor connection)	Test passed
Bending test rotation speed	10 rpm
Bending test turns	135
Bending test conductor cross section/weight	1.5 mm ² / 0.4 kg
	16 mm ² / 2.9 kg

Connection terminal block - AKG 16 BU - 0423014

Technical data

General

Result of bending test	Test passed
Conductor cross section tensile test	1.5 mm ²
Tractive force setpoint	40 N
Conductor cross section tensile test	16 mm ²
Tractive force setpoint	100 N
Tensile test result	Test passed
Requirements, voltage drop	≤ 3.2 mV
Result of voltage drop test	Test passed
Temperature-rise test	Test passed
Conductor cross section short circuit testing	16 mm ²
Short-time current	1.92 kA
Short circuit stability result	Test passed
Temperature index, insulating material (DIN EN 60216-1 (VDE 0304-21))	125 °C

Dimensions

Length	23.7 mm
Width	9.8 mm

Connection data

Conductor cross section solid min.	1.5 mm ²
Conductor cross section solid max.	16 mm ²
Conductor cross section stranded min.	1.5 mm ²
Conductor cross section stranded max.	16 mm ²
Conductor cross section AWG/kcmil min.	16
Conductor cross section AWG/kcmil max	6
Conductor cross section stranded, with ferrule without plastic sleeve min.	1.5 mm ²
Conductor cross section stranded, with ferrule without plastic sleeve max.	16 mm ²
Conductor cross section stranded, with ferrule with plastic sleeve min.	1.5 mm ²
Conductor cross section stranded, with ferrule with plastic sleeve max.	16 mm ²
2 conductors with same cross section, solid min.	1.5 mm ²
2 conductors with same cross section, solid max.	6 mm ²
2 conductors with same cross section, stranded min.	1.5 mm ²
2 conductors with same cross section, stranded max.	6 mm ²
2 conductors with same cross section, stranded, ferrules without plastic sleeve, min.	1.5 mm ²
2 conductors with same cross section, stranded, ferrules without plastic sleeve, max.	6 mm ²
2 conductors with same cross section, stranded, TWIN ferrules with plastic sleeve, min.	1.5 mm ²

Connection terminal block - AKG 16 BU - 0423014

Technical data

Connection data

2 conductors with same cross section, stranded, TWIN ferrules with plastic sleeve, max.	10 mm ²
Connection method	Screw connection
Stripping length	16 mm
Screw thread	M5
Tightening torque, min	2.5 Nm
Tightening torque max	3 Nm

Classifications

eCl@ss

eCl@ss 4.0	27141131
eCl@ss 4.1	27141131
eCl@ss 5.0	27141131
eCl@ss 5.1	27141131
eCl@ss 6.0	27141120
eCl@ss 7.0	27141120
eCl@ss 8.0	27141146

ETIM

ETIM 2.0	EC000897
ETIM 3.0	EC000897
ETIM 4.0	EC000897
ETIM 5.0	EC000001

UNSPSC

UNSPSC 6.01	30211811
UNSPSC 7.0901	39121410
UNSPSC 11	39121410
UNSPSC 12.01	39121410
UNSPSC 13.2	39121410

Approvals

Approvals

Approvals

CSA / UL Recognized / cUL Recognized / EAC / cULus Recognized


Connection terminal block - AKG 16 BU - 0423014


Approvals


Ex Approvals

Approvals submitted

Approval details

CSA 	
mm ² /AWG/kcmil	18-6
Nominal current I _N	65 A

UL Recognized 			
		B	C
mm ² /AWG/kcmil	18-6	18-6	
Nominal current I _N	50 A	50 A	
Nominal voltage U _N	250 V	300 V	

cUL Recognized 			
		B	C
mm ² /AWG/kcmil	18-6	18-6	
Nominal current I _N	50 A	50 A	
Nominal voltage U _N	250 V	300 V	

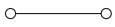
EAC

cULus Recognized 
--

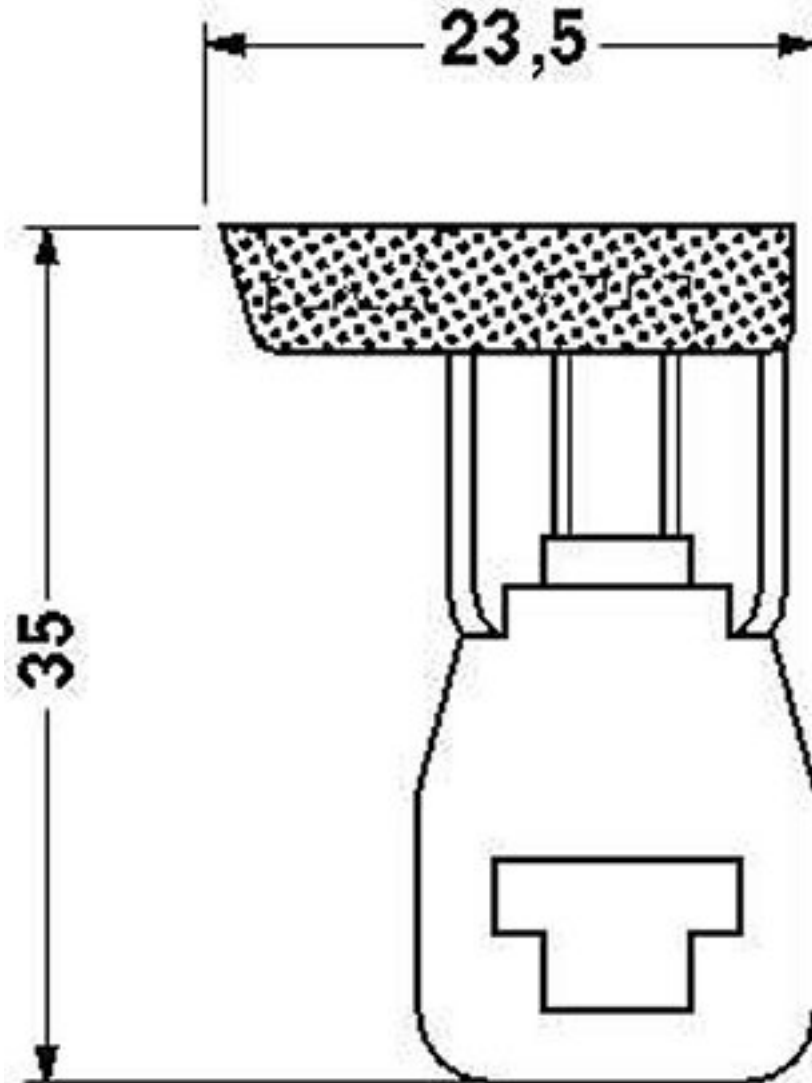
Drawings

Connection terminal block - AKG 16 BU - 0423014

Circuit diagram



Dimensioned drawing



Connection terminal block - AKG 16 BU - 0423014

Dimensioned drawing

