

Y distributor - SAC-5PY-M/F-M VP SH



1438079

<https://www.phoenixcontact.com/us/products/1438079>

Please be informed that the data shown in this PDF document is generated from our Online Catalog. Please find the complete data in the user documentation. Our General Terms of Use for Downloads are valid.

Y distributor, 5-position, shielded, Plug straight M12 SPEEDCON, coding: A, on Socket straight M12 SPEEDCON, coding: A and Plug straight M12 SPEEDCON, coding: A, Parallel distributor



Your advantages

- Reliable signal transmission – 360° shielding in environments with electromagnetic interference
- Save time, thanks to installation with SPEEDCON fast locking system

Commercial Data

Item number	1438079
Packing unit	1 pc
Minimum order quantity	1 pc
Sales Key	B06
Product Key	BF1GAC
Catalog Page	Page 253 (C-2-2019)
GTIN	4046356528436
Weight per Piece (including packing)	46.17 g
Weight per Piece (excluding packing)	46.17 g
Customs tariff number	85366990
Country of origin	PL

Y distributor - SAC-5PY-M/F-M VP SH

1438079

<https://www.phoenixcontact.com/us/products/1438079>

Technical Data

Product properties

Product type	Y-distributor
Number of positions	5
No. of cable outlets	2
Shielded	yes
Coding	A - standard
Thread type	M12

Insulation characteristics

Overvoltage category	II
Degree of pollution	3

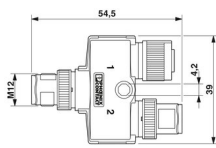
Electrical properties

Insulation resistance	$\geq 100 \text{ M}\Omega$
Nominal voltage U_N	48 V AC
	60 V DC
Nominal current I_N	4 A

LED signaling

Status display	No
Status display present	No

Dimensions

Dimensional drawing	
Width	39 mm
Height	16 mm
Length	54.5 mm
Center distance	21 mm

Material specifications

Color Handle area	black
Flammability rating according to UL 94	HB
Sealing material	NBR
Material of grip body	TPU, hardly inflammable, self-extinguishing
Contact material	CuZn
Contact surface material	Ni/Au
Contact carrier material	TPU GF
Material for screw connection	Zinc die-cast, nickel-plated

Y distributor - SAC-5PY-M/F-M VP SH



1438079

<https://www.phoenixcontact.com/us/products/1438079>

Connector

Connection 1

Head design	Plug
Head cable outlet	straight
Head thread type	M12
Head locking type	SPEEDCON
Coding	A

Connection 2

Head design	Socket
Head cable outlet	straight
Head thread type	M12
Head locking type	SPEEDCON
Coding	A

Mechanical properties

Mechanical data

Insertion/withdrawal cycles	≥ 100
-----------------------------	-------

Environmental and real-life conditions

Ambient conditions

Degree of protection	IP65
	IP67
Ambient temperature (operation)	-25 °C ... 90 °C (Plug / socket)

Standards and regulations

Standards/specifications	IEC 61076-2-101
--------------------------	-----------------

Y distributor - SAC-5PY-M/F-M VP SH

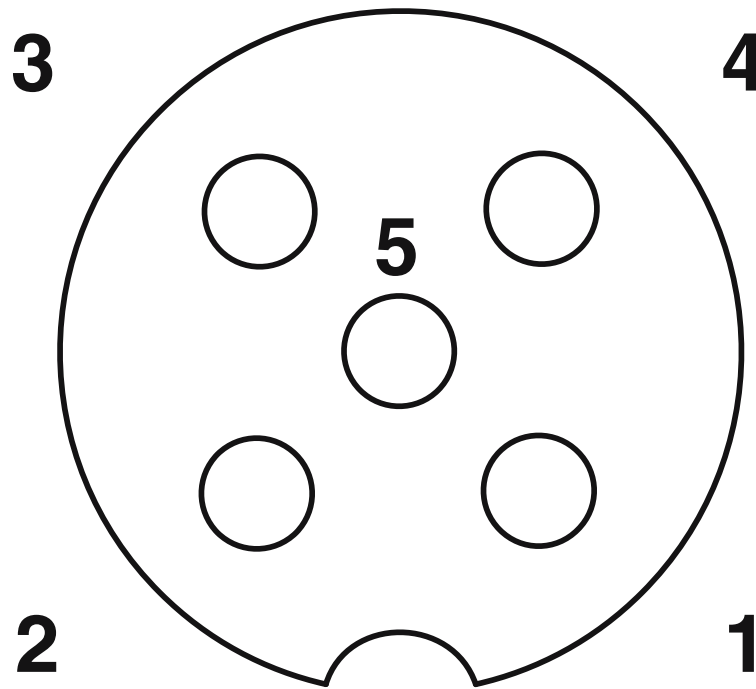
1438079

<https://www.phoenixcontact.com/us/products/1438079>



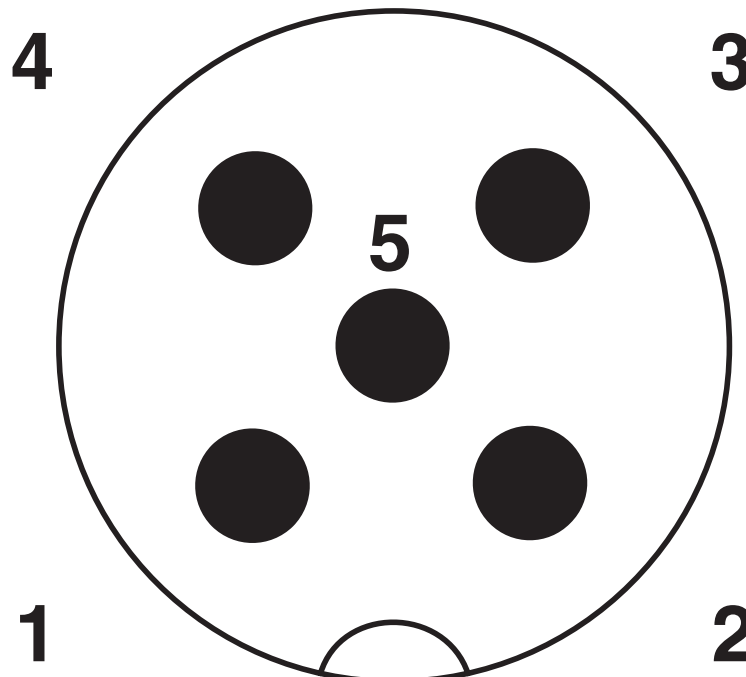
Drawings

Schematic diagram



Pin assignment M12 socket, 5-pos., A-coded, socket side view

Schematic diagram



Pin assignment M12 male connector, 5-pos., A-coded, male side

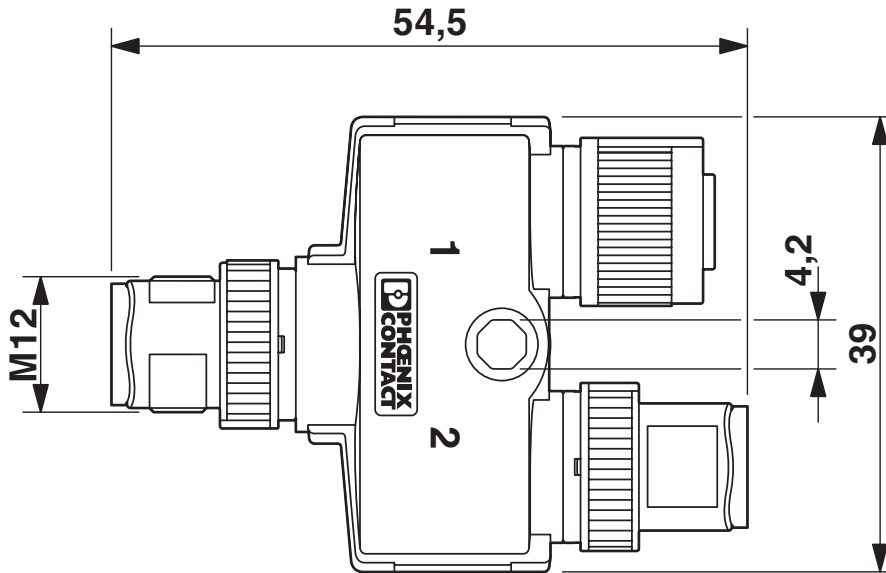
Y distributor - SAC-5PY-M/F-M VP SH



1438079

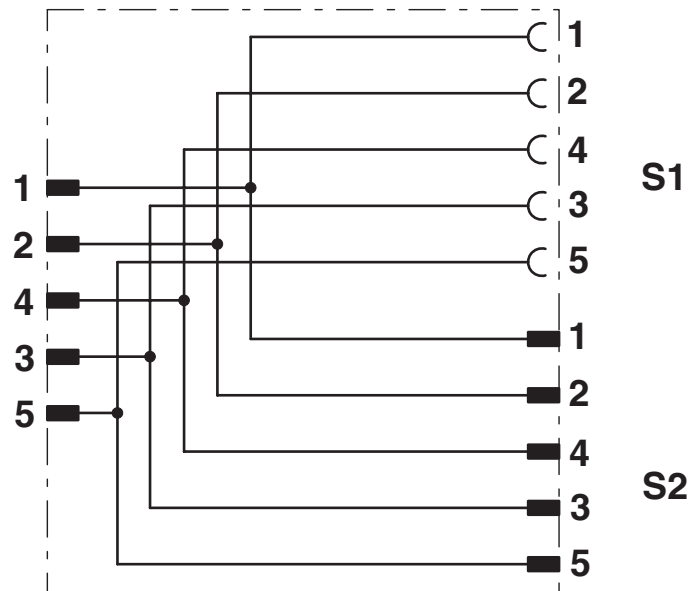
<https://www.phoenixcontact.com/us/products/1438079>

Dimensional drawing



M12 Y distributor

Circuit diagram



Y distributor - SAC-5PY-M/F-M VP SH



1438079

<https://www.phoenixcontact.com/us/products/1438079>

Classifications

ECLASS

ECLASS-9.0	27440106
ECLASS-10.0.1	27440106
ECLASS-11.0	27440106
ECLASS-12.0	27440106

ETIM

ETIM 8.0	EC002925
----------	----------

UNSPSC

UNSPSC 21.0	31251500
-------------	----------

Y distributor - SAC-5PY-M/F-M VP SH



1438079

<https://www.phoenixcontact.com/us/products/1438079>

Environmental Product Compliance

China RoHS	Environmentally friendly use period: unlimited = EFUP-e
	No hazardous substances above threshold values

Y distributor - SAC-5PY-M/F-M VP SH

1438079

<https://www.phoenixcontact.com/us/products/1438079>

Accessories

Torque screwdriver

Torque screwdriver - TSD 04 SAC - 1208429

<https://www.phoenixcontact.com/us/products/1208429>



Torque screwdriver, with preset torque of 0.4 Nm and 4 mm hexagonal drive for M12 connectors

Tool

Tool - SAC BIT M12-D15 - 1208432

<https://www.phoenixcontact.com/us/products/1208432>



Nut for assembling sensor/actuator cables with M12 connector and M12 connectors for assembly, with a knurl diameter of 15 mm, for 4 mm hexagonal drive

Y distributor - SAC-5PY-M/F-M VP SH

1438079

<https://www.phoenixcontact.com/us/products/1438079>

Screw plug

Screw plug - PROT-M12 SH - 1503302

<https://www.phoenixcontact.com/us/products/1503302>



An M12 screw plug for the unoccupied M12 sockets of the shielded sensor/actuator cable, boxes and flush-type connectors

Sealing cap

Sealing cap - PROT-M12 FS-M - 1430488

<https://www.phoenixcontact.com/us/products/1430488>



M12 metal sealing cap for unoccupied M12 plugs of the sensor/actuator cable, flush-type plugs and I/O devices in the field

Y distributor - SAC-5PY-M/F-M VP SH

1438079

<https://www.phoenixcontact.com/us/products/1438079>



Screw plug

Screw plug - PROT-M12 MS-PA-CHAIN - 1430899

<https://www.phoenixcontact.com/us/products/1430899>

M12 sealing cap with fixing band, for sensor cables, for free M12 sockets



Sealing cap

Sealing cap - PROT-M12 FS-PA-CHAIN - 1430873

<https://www.phoenixcontact.com/us/products/1430873>

M12 sealing cap made of plastic with fixing band, for sensor cables, for free M12 plugs



Phoenix Contact 2022 © - all rights reserved
<https://www.phoenixcontact.com>

Phoenix Contact USA
586 Fulling Mill Road
Middletown, PA 17057, United States
(+717) 944-1300
info@phoenixcon.com