

TCP 10/16A - Thermal device circuit breaker



1324402

<https://www.phoenixcontact.com/us/products/1324402>

Please be informed that the data shown in this PDF document is generated from our online catalog. Please find the complete data in the user documentation. Our general terms of use for downloads are valid.



1-channel thermal device circuit breaker for protecting loads at 250 V AC / 72 V DC in the event of an overload. For installation on fuse terminal blocks and interfaces for flat plug-in fuse of type C according to standard ISO 8820-3. With fixed nominal current: 16 A

Your advantages

- Fast, replacement part-free recommissioning after an event with the reconnection options
- Easy to retrofit in existing systems with vehicle flat-type fuses with identical pin connector pattern
- System disconnection for maintenance actions via the integrated device switch

Commercial data

Item number	1324402
Packing unit	18 pc
Minimum order quantity	18 pc
Sales key	CL15
Product key	CLA111
GTIN	4063151614263
Weight per piece (including packing)	13.166 g
Weight per piece (excluding packing)	13 g
Customs tariff number	85362010
Country of origin	ID

TCP 10/16A - Thermal device circuit breaker



1324402

<https://www.phoenixcontact.com/us/products/1324402>

Technical data

Product properties

Product type	Thermal device circuit breakers
Type	Male
Number of positions	1
No. of channels	1

Insulation characteristics

Overvoltage category	II (Installation area)
	III (Actuation area)
Degree of pollution	2

Electrical properties

Fuse type	Automatic device
Fuse	Slow-blow

General

Rated voltage	250 V AC
	72 V DC
	250 V AC (UL/CSA)
	72 V DC (UL/CSA)
Rated current I_N	16 A
Rated surge voltage	2.5 kV
Insulation resistance R_{iso}	> 100 M Ω (500 V DC)
Tripping method	T (thermal)
Device resistance	0 Ω
Rated short-circuit switching capacity I_{cn}	200 A (250 V AC)
	200 A (72 V DC)
Short-circuit switching capacity	2000 A (250 V AC / UL 1077)
	2000 A (72 V DC / UL 1077)
Dielectric strength	3000 V AC (Actuation area)
	1500 V AC (Installation area)
Switching cycles, max.	6000 (At 1 x I_n , low-induction)
	3000 (At 1 x I_n , inductive)
	40 (at 6 x I_n , AC)
Contact switching type	Type C in accordance with ISO 8820-3

Connection data

Connection method	pluggable
-------------------	-----------

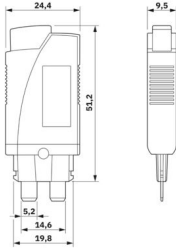
Dimensions

TCP 10/16A - Thermal device circuit breaker



1324402

<https://www.phoenixcontact.com/us/products/1324402>

Dimensional drawing	
Width	9.5 mm
Height	24.4 mm
Height NS 35/7,5	55 mm
Depth	44.5 mm

Material specifications

Color	black (RAL 9005)
Flammability rating according to UL 94	V-0
Insulating material group	IIIb
Insulating material	PPS

Mechanical properties

Mechanical data

Open side panel	No
-----------------	----

Environmental and real-life conditions

Ambient conditions

Degree of protection	IP40 (Actuation area) IP00 (Connection area)
Ambient temperature (operation)	-20 °C ... 60 °C
Ambient temperature (storage/transport)	-40 °C ... 80 °C
Altitude	≤ 4000 m (amsl)
Humidity test	240 h, 95 % RH, 40 °C
Shock (operation)	25g (11 ms period, half-sine shock pulse, according to IEC 60068-2-27)
Vibration (operation)	± 0.38 mm (10 Hz ... 57 Hz) 5g (57 ... 500 Hz)

Standards and regulations

Standards/specifications	EN 60934
--------------------------	----------

Mounting

Mounting type	on base element
---------------	-----------------

TCP 10/16A - Thermal device circuit breaker

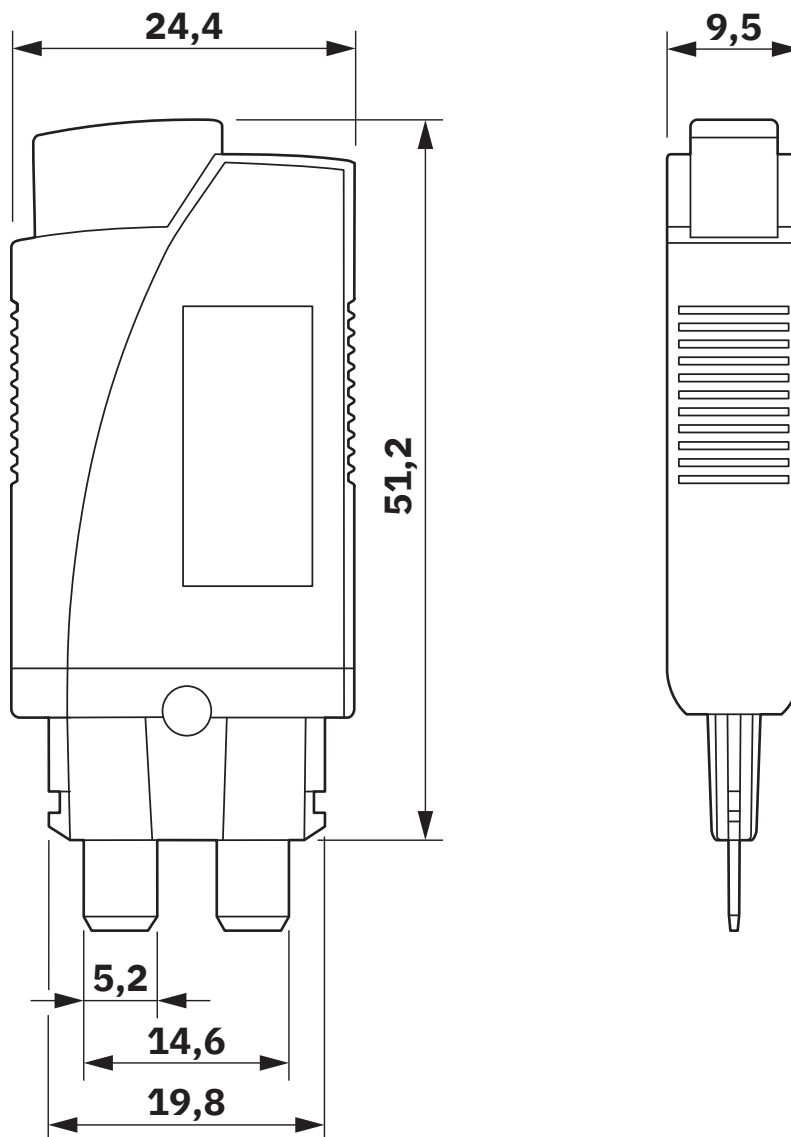
1324402

<https://www.phoenixcontact.com/us/products/1324402>



Drawings

Dimensional drawing

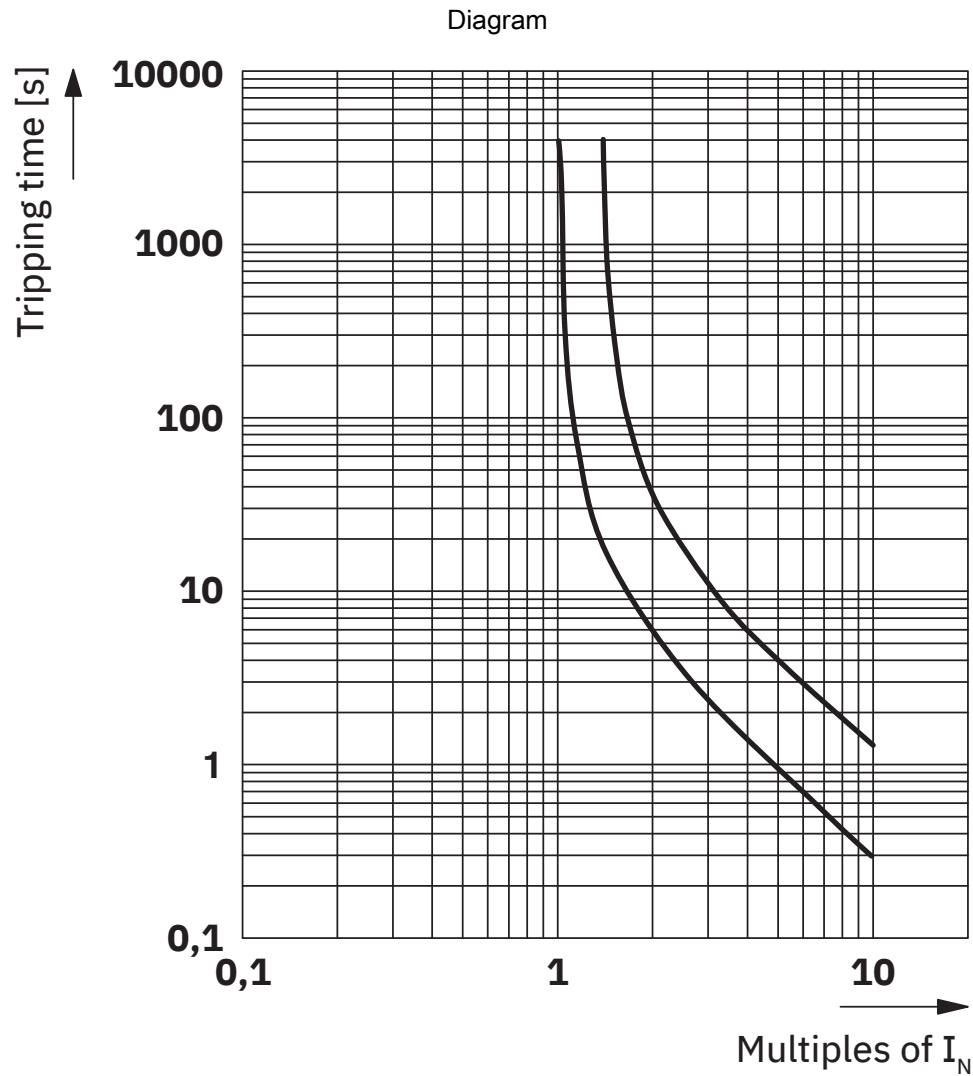


TCP 10/16A - Thermal device circuit breaker



1324402

<https://www.phoenixcontact.com/us/products/1324402>



Trigger characteristic

TCP 10/16A - Thermal device circuit breaker



1324402

<https://www.phoenixcontact.com/us/products/1324402>

Approvals

To download certificates, visit the product detail page: <https://www.phoenixcontact.com/us/products/1324402>



cUL Recognized
Approval ID: FILE E 140459



UL Recognized
Approval ID: FILE E 140459



VDE approval of drawings
Approval ID: 40054613



CSA
Approval ID: 80136839



CCC
Approval ID: 2025010307749781

TCP 10/16A - Thermal device circuit breaker



1324402

<https://www.phoenixcontact.com/us/products/1324402>

Classifications

ECLASS

ECLASS-13.0	27140401
ECLASS-15.0	27140401

ETIM

ETIM 9.0	EC003538
----------	----------

UNSPSC

UNSPSC 21.0	39121400
-------------	----------

TCP 10/16A - Thermal device circuit breaker



1324402

<https://www.phoenixcontact.com/us/products/1324402>

Environmental product compliance

EU RoHS

Fulfills EU RoHS substance requirements	Yes, No exemptions
---	--------------------

China RoHS

Environment friendly use period (EFUP)	EFUP-E
	No hazardous substances above the limits

EU REACH SVHC

REACH candidate substance (CAS No.)	No substance above 0.1 wt%
-------------------------------------	----------------------------

Phoenix Contact 2025 © - all rights reserved
<https://www.phoenixcontact.com>

Phoenix Contact USA
586 Fulling Mill Road
Middletown, PA 17057, United States
(+717) 944-1300
info@phoenixcon.com