

# HC-26S1N122300X - Device connector front mounting



1240143

<https://www.phoenixcontact.com/us/products/1240143>

Please be informed that the data shown in this PDF document is generated from our online catalog. Please find the complete data in the user documentation. Our general terms of use for downloads are valid.



Device connector front mounting, straight, Screw locking mechanism, M27, number of positions: 26, contact connection type: Socket, Flat gasket, shielded: yes, number of positions: 26, connection method: Solder cup, series: HC, Item is lead-free in accordance with RoHS II without Exemption 6c (Pb < 0.1 %), This product is in the process of being discontinued. This product must no longer be considered for new projects. Please contact your sales representative for alternatives.

## Commercial data

|                                      |               |
|--------------------------------------|---------------|
| Item number                          | 1240143       |
| Packing unit                         | 24 pc         |
| Minimum order quantity               | 24 pc         |
| Sales key                            | AB32          |
| Product key                          | ABRAJL        |
| GTIN                                 | 4063151450113 |
| Weight per piece (including packing) | 43.962 g      |
| Weight per piece (excluding packing) | 39.898 g      |
| Customs tariff number                | 85366990      |
| Country of origin                    | DE            |

1240143

<https://www.phoenixcontact.com/us/products/1240143>

## Technical data

### Mounting

|               |  |
|---------------|--|
| Mounting type | Front mounting/square flange (4x Ø 3.2 mm) |
|---------------|--|

### Product properties

|                     |                                   |
|---------------------|-----------------------------------|
| Product type        | Circular connectors (device side) |
| Series              | HC                                |
| Application         | Signal                            |
| Number of positions | 26                                |
| Connection profile  | 26                                |
| Shielded            | yes                               |
| Coding              | N                                 |
| Thread type         | M27                               |

### Material specifications

|  |                    |
|--|--------------------|
| Material Housing                       | Metal              |
| Flammability rating according to UL 94 | V0                 |
| Seal material                          | FPM or NBR or EPDM |

### Electrical properties

#### Contact

|                                |                      |
|--------------------------------|----------------------|
| Contact diameter               | 1 mm                 |
| Min. cross section             | 0.08 mm <sup>2</sup> |
| Max. cross section             | 1 mm <sup>2</sup>    |
| Nominal current I <sub>N</sub> | 8 A                  |
| Nominal voltage U <sub>N</sub> | 48 V AC              |
|                                | 74 V DC              |
| Overvoltage category           | III                  |
| Degree of pollution            | 3                    |
| Rated surge voltage            | 1.5 kV               |

### Connection data

#### Conductor connection

|                         |            |
|-------------------------|------------|
| Connection method       | Solder cup |
| Contact connection type | Socket     |

### Mechanical properties

#### Mechanical data

|                             |    |
|-----------------------------|----|
| Insertion/withdrawal cycles | 50 |
|-----------------------------|----|

### Connector

# HC-26S1N122300X - Device connector front mounting



1240143

<https://www.phoenixcontact.com/us/products/1240143>

|                       |          |
|-----------------------|----------|
| Type                  | straight |
| Direction of rotation | Standard |

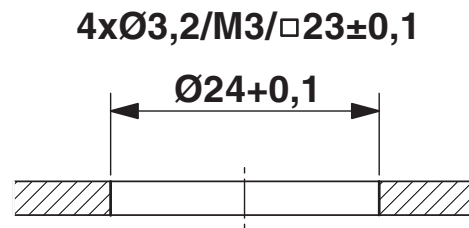
## Environmental and real-life conditions

### Ambient conditions

|                                 |                   |
|---------------------------------|-------------------|
| Degree of protection            | IP67              |
| Ambient temperature (operation) | -20 °C ... 125 °C |
| Altitude                        | 2000 m            |

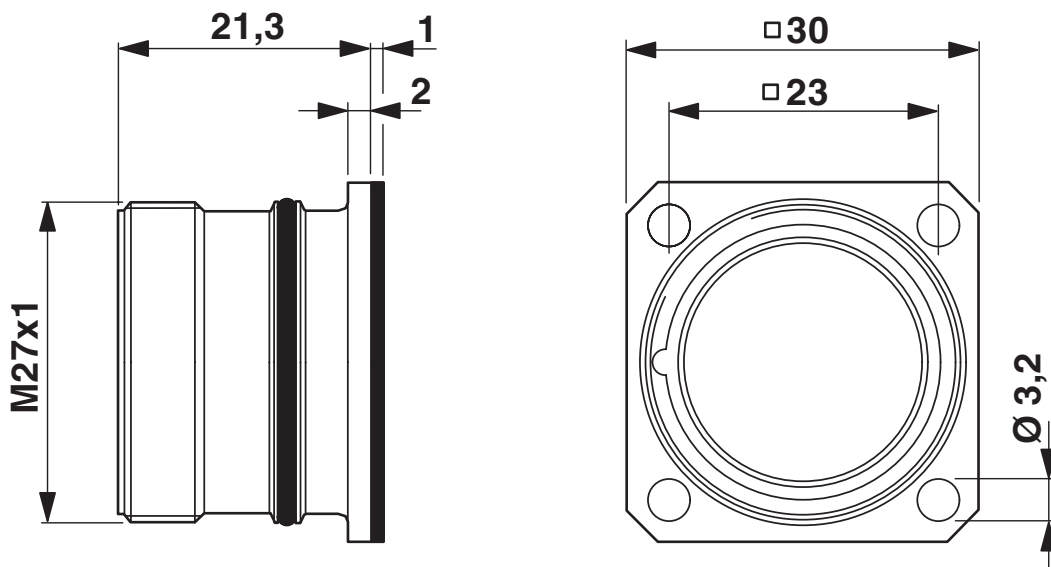
## Drawings

Dimensional drawing



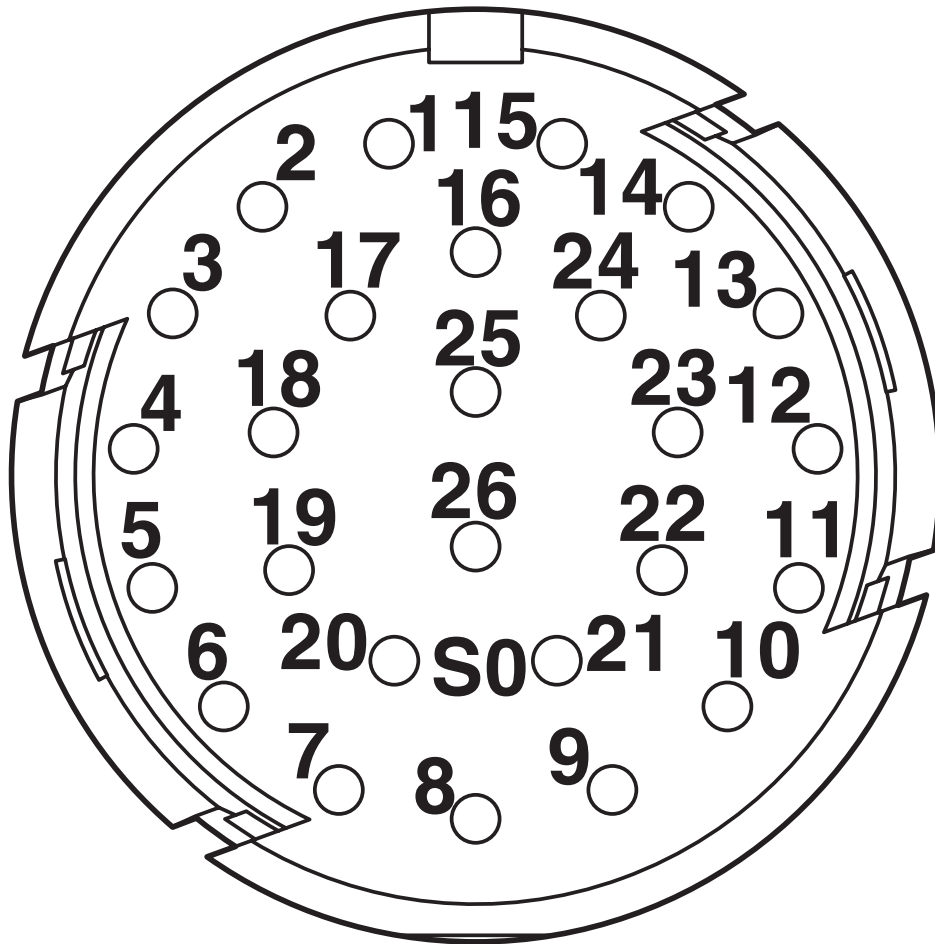
Installation dimensions

Dimensional drawing



Dimensional drawing

Schematic diagram



Connector pin assignment

1240143

<https://www.phoenixcontact.com/us/products/1240143>

## Classifications

### ECLASS

|             |          |
|-------------|----------|
| ECLASS-13.0 | 27440109 |
| ECLASS-15.0 | 27440109 |

### ETIM

|          |          |
|----------|----------|
| ETIM 9.0 | EC003569 |
|----------|----------|

# HC-26S1N122300X - Device connector front mounting



1240143

<https://www.phoenixcontact.com/us/products/1240143>

## Environmental product compliance

### EU RoHS

|   |                    |
|---|--------------------|
| Fulfills EU RoHS substance requirements | Yes, No exemptions |
|---|--------------------|

### China RoHS

|  |  |
|--|--|
| Environment friendly use period (EFUP) | EFUP-E                                   |
|  | No hazardous substances above the limits |

### EU REACH SVHC

|                                     |                            |
|-------------------------------------|----------------------------|
| REACH candidate substance (CAS No.) | No substance above 0.1 wt% |
|-------------------------------------|----------------------------|

Phoenix Contact 2025 © - all rights reserved  
<https://www.phoenixcontact.com>

Phoenix Contact USA  
586 Fulling Mill Road  
Middletown, PA 17057, United States  
(+717) 944-1300  
[info@phoenixcon.com](mailto:info@phoenixcon.com)