

Ferrule - AI 4 -15 GY



1200264

<https://www.phoenixcontact.com/pc/products/1200264>

Please be informed that the data shown in this PDF document is generated from our Online Catalog. Please find the complete data in the user documentation. Our General Terms of Use for Downloads are valid.

Ferrule, sleeve length: 15 mm, length: 23 mm, color: gray



Your advantages

- The ferrules with plastic sleeve are made from soft tin-plated electrolytic copper
- The insulation reliability of close connections is increased and the splicing of wires is prevented

Commercial Data

Item number	1200264
Packing unit	100 pc
Minimum order quantity	100 pc
Product Key	BH3411
Catalog Page	Page 481 (C-3-2019)
GTIN	4055626313658
Weight per Piece (including packing)	0.362 g
Weight per Piece (excluding packing)	0.362 g
Customs tariff number	85369010
Country of origin	DE

1200264

<https://www.phoenixcontact.com/pc/products/1200264>

Technical Data

Product properties

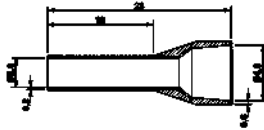
Product type	Ferrule
Conductor category	stranded conductors, class 2, 5, 6 / B, C, K, M

Connection data

Conductor connection

Conductor cross section flexible max.	4 mm ²
Conductor cross section AWG max.	12
Stripping length	18 mm

Dimensions

Dimensional drawing	
Length	23 mm
Sleeve length	15 mm
Maximum stripping length	18 mm
Ferrule diameter	2.8 mm
Sleeve wall thickness	0.2 mm
Insulating collar thickness	0.3 mm
Inner dimensions of the insulating collar	4.8 mm

Material specifications

Color	gray
Material	CU-DHP
Flammability rating according to UL 94	HB
Coating	tin-plated (galvanic)
Components	free from silicone and halogen

Mechanical properties

Technical data

Sleeve length	15 mm
---------------	-------

Environmental and real-life conditions

Ambient conditions

Permanent temperature	105 °C (-40 °C no load / 0 °C dynamic load)
Short-term temperature	120 °C

Ferrule - AI 4 -15 GY

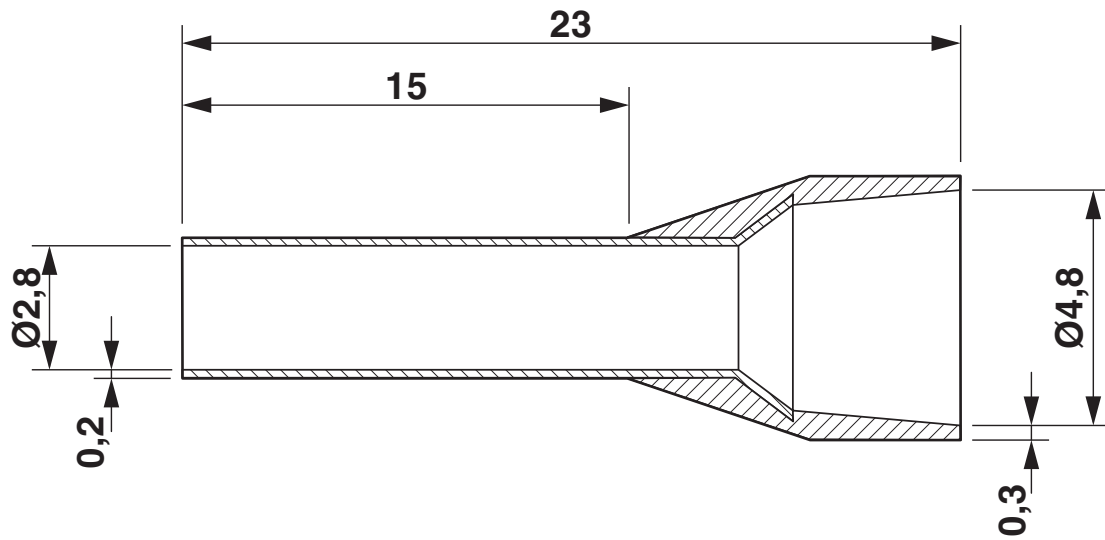
1200264

<https://www.phoenixcontact.com/pc/products/1200264>



Drawings

Dimensional drawing



Ferrule - Al 4 -15 GY



1200264

<https://www.phoenixcontact.com/pc/products/1200264>

Classifications

ECLASS

ECLASS-9.0	27400201
ECLASS-10.0.1	27400201
ECLASS-11.0	27400201

ETIM

ETIM 8.0	EC000005
----------	----------

UNSPSC

UNSPSC 21.0	27121700
-------------	----------

Ferrule - AI 4 -15 GY

1200264

<https://www.phoenixcontact.com/pc/products/1200264>



Environmental Product Compliance

China RoHS	Environmentally friendly use period: unlimited = EFUP-e
	No hazardous substances above threshold values

Phoenix Contact 2023 © - all rights reserved
<https://www.phoenixcontact.com>

PHOENIX CONTACT GmbH & Co. KG
Flachmarktstraße 8
D-32825 Blomberg
+49 (0) 5235-3 00
info@phoenixcontact.com