

Input/output module - IOA REL 230V DO/BFI/NC/3.0A/EX - 2910422

Please be informed that the data shown in this PDF Document is generated from our Online Catalog. Please find the complete data in the user's documentation. Our General Terms of Use for Downloads are valid (<http://phoenixcontact.com/download>)




VIP field termination assemblies (FTA) with input/output accessories (IOA) provide universal channel configuration for applications seeking to evolve from a traditional fixed I/O approach. Digital relay output, fused with blown fuse indication, NC contact, 230 V AC, 3 A rating.

Why buy this product

- Output blown fuse indication
- Active relay coil indication
- Relay with NC contact
- Two-stage progressive release allowing for voltage checks with field-powered devices
- Channel for marking accessories
- Replaceable TE5-style fusing
- Integrated keying reduces possible user error during replacement
- 230 V internal marshalling option for connected field device



Key Commercial Data

Packing unit	1 STK
GTIN	 4 055626 495996
GTIN	4055626495996
Weight per Piece (excluding packing)	40.000 g
Custom tariff number	85364900
Country of origin	United States

Technical data

Note

Trade restriction	The products are offered exclusively for export outside the EU and the European Economic Area.
-------------------	--

Input/output module - IOA REL 230V DO/BFI/NC/3.0A/EX - 2910422

Technical data

Note

Utilization restriction	EMC: class A product, see manufacturer's declaration in the download area
-------------------------	---

Dimensions

Width	10.3 mm
Height	64.2 mm
Depth	72.9 mm

Ambient conditions

Ambient temperature (operation)	-40 °C ... 70 °C
Ambient temperature (storage/transport)	-40 °C ... 70 °C

Coil side

Nominal input voltage U_N	24 V DC
Input voltage range in reference to U_N	0.9 ... 1.1
Typical input current at U_N	13.5 mA
Typical response time	5 ms
Typical release time	8 ms
Protective circuit	Reverse polarity protection Polarity protection diode
	Free-wheeling diode Damping diode
Operating voltage display	Yellow LED

Contact side

Contact type	1 N/C contact
Type of switch contact	Single contact
Contact material	AgSnO
Maximum switching voltage	230 V AC
Min. switching current	10 mA (at 12 V)
Maximum inrush current	on request
Limiting continuous current	3 A (fuse limited)
Interrupting rating (ohmic load) max.	23 W (at 110 V DC)
	690 VA (230 V AC)

General

Operating mode	100% operating factor
Degree of protection	IP20
Mechanical service life	2×10^7 cycles
Mounting position	any
Assembly instructions	Plugs into VIP/...BASE...

Standards and Regulations

Input/output module - IOA REL 230V DO/BFI/NC/3.0A/EX - 2910422

Technical data

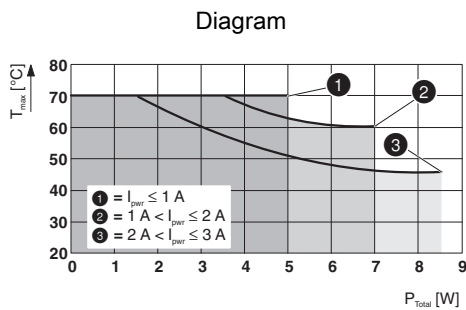
Standards and Regulations

Standards/regulations	IEC 60664
	DIN EN 50178
Flammability rating according to UL 94	V0
IECEX	Ex nA nC IIC T4 Gc

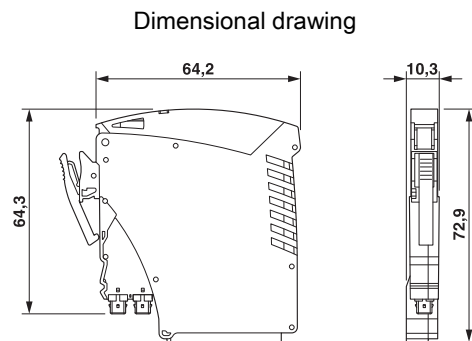
Environmental Product Compliance

China RoHS	Environmentally Friendly Use Period = 50
	For details about hazardous substances go to tab "Downloads", Category "Manufacturer's declaration"

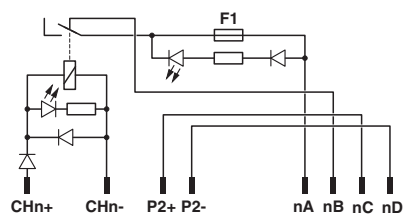
Drawings



Derating curve



Circuit diagram



Classifications

eCl@ss

eCl@ss 5.0	27371601
eCl@ss 7.0	27371601
eCl@ss 8.0	27371601
eCl@ss 9.0	27371601

Input/output module - IOA REL 230V DO/BFI/NC/3.0A/EX - 2910422

Classifications

ETIM

ETIM 2.0	EC001437
ETIM 3.0	EC001437
ETIM 4.0	EC001437
ETIM 5.0	EC001437
ETIM 6.0	EC001437

UNSPSC

UNSPSC 6.01	30211824
UNSPSC 7.0901	39121421
UNSPSC 11	39121421
UNSPSC 12.01	39121421
UNSPSC 13.2	39121432