

Printed-circuit board connector - BCH-508H- 2 GY - 5433244

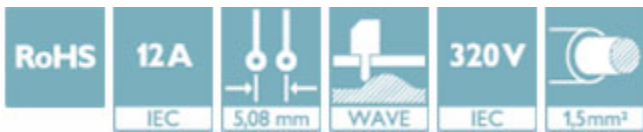
Please be informed that the data shown in this PDF Document is generated from our Online Catalog. Please find the complete data in the user's documentation. Our General Terms of Use for Downloads are valid (<http://phoenixcontact.com/download>)

Header, nominal current: 12 A, rated voltage (III/2): 320 V, number of positions: 2, pitch: 5.08 mm, color: signal grey, contact surface: Tin, mounting: Wave soldering




The figure shows a 5-pos. version of the product

Why buy this product



Key Commercial Data

| | |
|--------------------------------------|---------------------------------------------------------------------------------------------------------|
| Packing unit | 1 STK |
| Minimum order quantity | 100 STK |
| GTIN |  4 046356 169639 |
| GTIN | 4046356169639 |
| Weight per Piece (excluding packing) | 1.000 g |
| Custom tariff number | 85366930 |
| Country of origin | China |

Technical data

Dimensions

| | |
|-----------------------|----------|
| Length [l] | 12 mm |
| Pitch | 5.08 mm |
| Dimension a | 5.08 mm |
| Width [w] | 10.16 mm |
| Constructional height | 8.6 mm |
| Height [h] | 12.1 mm |

Printed-circuit board connector - BCH-508H- 2 GY - 5433244

Technical data

Dimensions

| | |
|--------------------------|-----------|
| Length of the solder pin | 3.5 mm |
| Pin dimensions | 1,0 x 1,0 |
| Hole diameter | 1.4 mm |

General

| | |
|----------------------------------------|-------------|
| Range of articles | BCH-H |
| Insulating material group | I |
| Rated surge voltage (III/3) | 4 kV |
| Rated surge voltage (III/2) | 4 kV |
| Rated surge voltage (II/2) | 4 kV |
| Rated voltage (III/3) | 250 V |
| Rated voltage (III/2) | 320 V |
| Rated voltage (II/2) | 400 V |
| Connection in acc. with standard | EN-VDE |
| Nominal current I _N | 12 A |
| Maximum load current | 12 A |
| Insulating material | PA |
| Flammability rating according to UL 94 | V0 |
| Color | signal grey |
| Number of positions | 2 |

Standards and Regulations

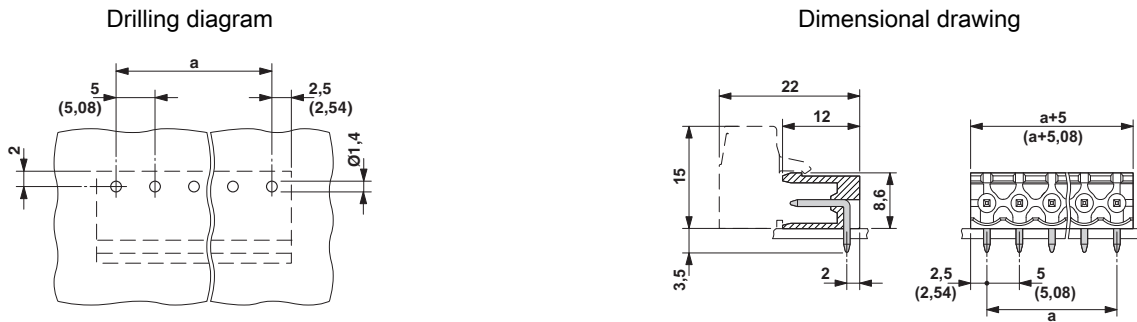
| | |
|----------------------------------------|--------|
| Connection in acc. with standard | EN-VDE |
| | CUL |
| Flammability rating according to UL 94 | V0 |

Environmental Product Compliance

| | |
|------------|---------------------------------------------------------|
| China RoHS | Environmentally friendly use period: unlimited = EFUP-e |
| | No hazardous substances above threshold values |

Drawings

Printed-circuit board connector - BCH-508H- 2 GY - 5433244



Classifications

eCl@ss

| | |
|------------|----------|
| eCl@ss 4.0 | 272607xx |
| eCl@ss 4.1 | 27260701 |
| eCl@ss 5.0 | 27260701 |
| eCl@ss 5.1 | 27260701 |
| eCl@ss 6.0 | 27261101 |
| eCl@ss 7.0 | 27440401 |
| eCl@ss 8.0 | 27440402 |
| eCl@ss 9.0 | 27440402 |

ETIM

| | |
|----------|----------|
| ETIM 3.0 | EC001121 |
| ETIM 4.0 | EC002637 |
| ETIM 5.0 | EC002637 |
| ETIM 6.0 | EC002637 |

UNSPSC

| | |
|---------------|----------|
| UNSPSC 6.01 | 30211801 |
| UNSPSC 7.0901 | 39121432 |
| UNSPSC 11 | 39121432 |
| UNSPSC 12.01 | 39121409 |
| UNSPSC 13.2 | 39121409 |

Approvals

Approvals

Approvals

VDE Gutachten mit Fertigungsüberwachung / IECCE CB Scheme / cULus Recognized

Printed-circuit board connector - BCH-508H- 2 GY - 5433244

Approvals

Ex Approvals

Approval details

| | | | |
|-----------------------------------------|---------|---------------------------------------------------------------------------------------------------------------------------------------------------------------------------------------------------------|----------|
| VDE Gutachten mit Fertigungsüberwachung | | http://www.vde.com/en/Institute/OnlineService/VDE-approved-products/Pages/Online-Search.aspx | 40040694 |
| mm ² /AWG/kcmil | 0.2-2.5 | | |
| Nominal current I _N | 12 A | | |
| Nominal voltage U _N | 320 V | | |

| | | | |
|-----------------|--|-----------------------------------------------------------|-----------|
| IECEE CB Scheme | | http://www.iecee.org/ | DE1-58974 |
|-----------------|--|-----------------------------------------------------------|-----------|

| | | | |
|--------------------------------|-------|-------------------------------------------------------------------------------------------------------------------------------------------------------|-----------------|
| cULus Recognized | | http://database.ul.com/cgi-bin/XYV/template/LISEXT/1FRAME/index.htm | E60425-20071007 |
| | B | D | |
| Nominal current I _N | 15 A | 15 A | |
| Nominal voltage U _N | 300 V | 150 V | |

Accessories

Accessories

Filler plug

Accessories - MSTB-BL - 1755477



Keying cap, for forming sections, plugs onto header pin, green insulating material

Labeled terminal marker

Printed-circuit board connector - BCH-508H- 2 GY - 5433244

Accessories

Marker card - SK 5/3,8:FORTL.ZAHLEN - 0804183



Marker card, Card, white, labeled, Horizontal: consecutive numbers 1 - 10, 11 - 20, etc. up to 91 - (99)100, mounting type: adhesive, for terminal block width: 5 mm, lettering field size: 5 x 3.8 mm

Terminal marking

Marker card - SK U/3,8 WH:UNBEDRUCKT - 0803906



Marker card, Sheet, white, unlabeled, can be labeled with: CMS-P1-PLOTTER, PLOTMARK, Office printing systems, mounting type: adhesive, for terminal block width: 210 mm, lettering field size: 186 x 3.8 mm

Coding section - CR-BC-M - 5436157



Coding section