

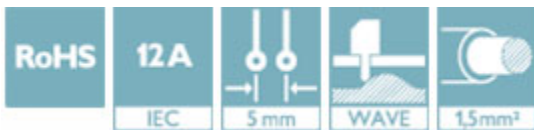
# Printed-circuit board connector - BCH-500H-13 GY - 5432504

Please be informed that the data shown in this PDF Document is generated from our Online Catalog. Please find the complete data in the user's documentation. Our General Terms of Use for Downloads are valid (<http://phoenixcontact.com/download>)


PCB headers, nominal current: 12 A, number of positions: 13, pitch: 5 mm, color: signal grey, contact surface: Tin, mounting: Wave soldering



The figure shows a 5-pos. version of the product



## Key Commercial Data

|                        |   |
|------------------------|---|
| Packing unit           | 1 pc  |
| Minimum order quantity | 100 pc  |
| GTIN                   | <br>4 046356 326797 |
| GTIN                   | 4046356326797   |
| Custom tariff number   | 85366930  |
| Country of origin      | China   |

## Technical data

### Dimensions

|                          |          |
|--------------------------|----------|
| Length [ l ]             | 12 mm    |
| Width                    | 65 mm    |
| Pitch                    | 5 mm     |
| Dimension a              | 60 mm    |
| Width [ w ]              | 65 mm    |
| Height [ h ]             | 12 mm    |
| Height                   | 8.6 mm   |
| Length of the solder pin | 3.4 mm   |
| Pin dimensions           | 1 x 1 mm |
| Length                   | 12 mm    |

## Printed-circuit board connector - BCH-500H-13 GY - 5432504

### Technical data

#### General

|  |             |
|--|-------------|
| Range of articles                      | BCH-H       |
| Insulating material group              | I           |
| Rated surge voltage (III/3)            | 4 kV        |
| Rated surge voltage (III/2)            | 4 kV        |
| Rated surge voltage (II/2)             | 4 kV        |
| Rated voltage (III/3)                  | 250 V       |
| Rated voltage (III/2)                  | 320 V       |
| Rated voltage (II/2)                   | 400 V       |
| Connection in acc. with standard       | EN-VDE      |
| Nominal current $I_N$                  | 12 A        |
| Maximum load current                   | 12 A        |
| Insulating material                    | PA          |
| Flammability rating according to UL 94 | V0          |
| Color                                  | signal grey |
| Number of positions                    | 13          |

#### Standards and Regulations

|  |        |
|--|--------|
| Connection in acc. with standard       | EN-VDE |
|  | CUL    |
| Flammability rating according to UL 94 | V0     |

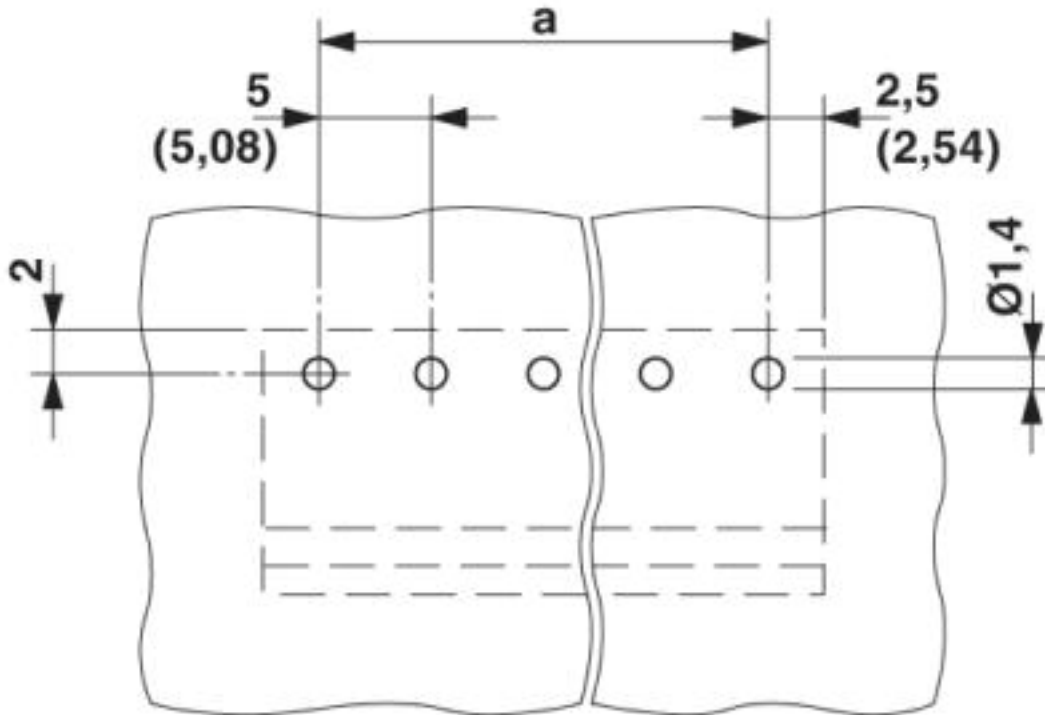
#### Environmental Product Compliance

|            |   |
|------------|---|
| China RoHS | Environmentally friendly use period: unlimited = EFUP-e |
|            | No hazardous substances above threshold values          |

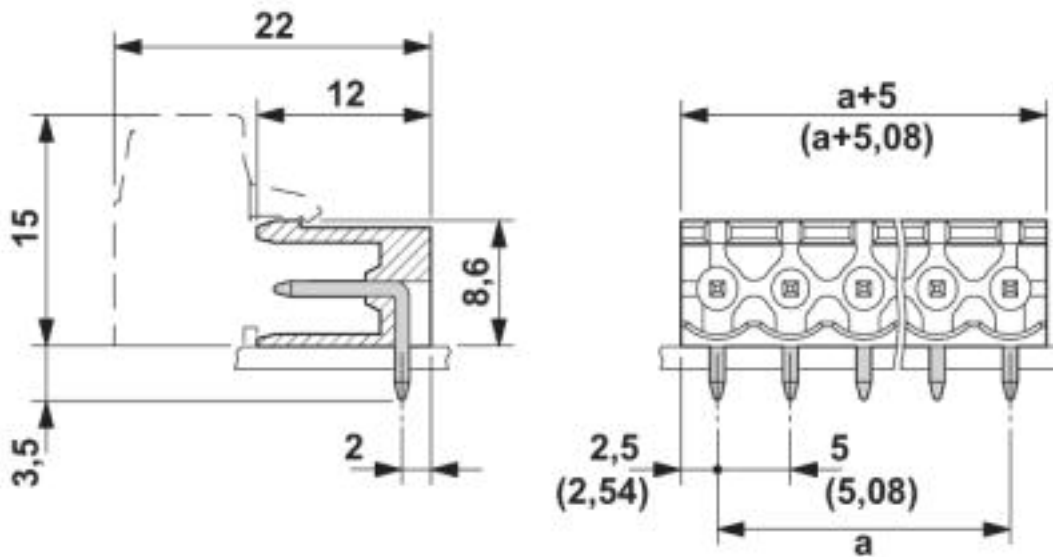
### Drawings

# Printed-circuit board connector - BCH-500H-13 GY - 5432504

Drilling diagram



Dimensional drawing



# Printed-circuit board connector - BCH-500H-13 GY - 5432504

## Classifications

### eCl@ss

|            |          |
|------------|----------|
| eCl@ss 4.0 | 27260700 |
| eCl@ss 4.1 | 27260700 |
| eCl@ss 5.0 | 27260700 |
| eCl@ss 5.1 | 27260700 |
| eCl@ss 6.0 | 27260700 |
| eCl@ss 7.0 | 27440402 |
| eCl@ss 8.0 | 27440402 |
| eCl@ss 9.0 | 27440402 |

### ETIM

|          |          |
|----------|----------|
| ETIM 3.0 | EC001121 |
| ETIM 4.0 | EC002637 |
| ETIM 5.0 | EC002637 |
| ETIM 6.0 | EC002637 |
| ETIM 7.0 | EC002637 |

### UNSPSC

|               |          |
|---------------|----------|
| UNSPSC 6.01   | 30211801 |
| UNSPSC 7.0901 | 39121432 |
| UNSPSC 11     | 39121432 |
| UNSPSC 12.01  | 39121409 |
| UNSPSC 13.2   | 39121409 |

## Approvals

### Approvals

---

#### Approvals


IECEE CB Scheme / VDE Gutachten mit Fertigungsüberwachung / cULus Recognized

---

#### Ex Approvals

---

### Approval details

|                 |   |   |           |
|-----------------|---|---|-----------|
| IECEE CB Scheme |  | <a href="http://www.iecee.org/">http://www.iecee.org/</a> | DE1-58974 |
|-----------------|---|---|-----------|

# Printed-circuit board connector - BCH-500H-13 GY - 5432504

## Approvals

|  |  |  |          |
|--|--|--|----------|
| VDE Gutachten mit<br>Fertigungsüberwachung |  | <a href="http://www2.vde.com/de/Institut/Online-Service/VDE-gepruefteProdukte/Seiten/Online-Suche.aspx">http://www2.vde.com/de/Institut/Online-Service/<br/>VDE-gepruefteProdukte/Seiten/Online-Suche.aspx</a> | 40040694 |
| Nominal voltage UN                         |  | 320 V  |          |
| Nominal current IN                         |  | 12 A   |          |
| mm <sup>2</sup> /AWG/kcmil                 |  | 0.2-2.5  |          |

|                    |       |   |                 |
|--------------------|-------|---|-----------------|
| cULus Recognized   |       | <a href="http://database.ul.com/cgi-bin/XYV/template/LISEXT/1FRAME/index.htm">http://database.ul.com/cgi-bin/XYV/template/LISEXT/1FRAME/index.htm</a> | E60425-20071007 |
|                    | B     | D   |                 |
| Nominal voltage UN | 300 V | 300 V   |                 |
| Nominal current IN | 15 A  | 10 A  |                 |

## Accessories

### Accessories

#### Coding element

Coding section - CR-BC-M - 5436157

Coding section



#### Filler plug

Accessories - MSTB-BL - 1755477



Keying cap, for forming sections, plugs onto header pin, green insulating material

#### Labeled terminal marker

## Printed-circuit board connector - BCH-500H-13 GY - 5432504

### Accessories

Marker card - SK 5/3,8:FORTL.ZAHLEN - 0804183



Marker card, Card, white, labeled, Horizontal: consecutive numbers 1 ... 10, 11 ... 20, etc. up to 91 ... (99)100, mounting type: adhesive, for terminal block width: 5 mm, lettering field size: 5 x 3.8 mm

---

### Terminal marking

Marker card - SK U/3,8 WH:UNBEDRUCKT - 0803906



Marker card, Sheet, white, unlabeled, can be labeled with: PLOTMARK, CMS-P1-PLOTTER, Office printing systems, mounting type: adhesive, for terminal block width: 210 mm, lettering field size: 186 x 3.8 mm, Number of individual labels: 1440