

Flange - PTFIX-F - 3274060

Please be informed that the data shown in this PDF Document is generated from our Online Catalog. Please find the complete data in the user's documentation. Our General Terms of Use for Downloads are valid (<http://phoenixcontact.com/download>)



Flange, with screw-on fixing, width: 8.6 mm, height: 21.7 mm, color: gray, mounting type: Screw mounting

Your advantages

- Easy marking options

COMPLETE BY

Key Commercial Data

Packing unit	1 pc
Minimum order quantity	20 pc
GTIN	 4 055626 394152
GTIN	4055626394152
Weight per Piece (excluding packing)	3.000 g
Custom tariff number	85389099
Country of origin	Poland

Technical data

General

Color	gray
Material	PA
Flammability rating according to UL 94	V0

Dimensions

Width	8.6 mm
Length	28.6 mm
Height	21.7 mm
Hole diameter	3.2 mm

Connection data

Flange - PTFIX-F - 3274060

Technical data

Connection data

Tightening torque max	0.3 Nm
-----------------------	--------

Standards and Regulations

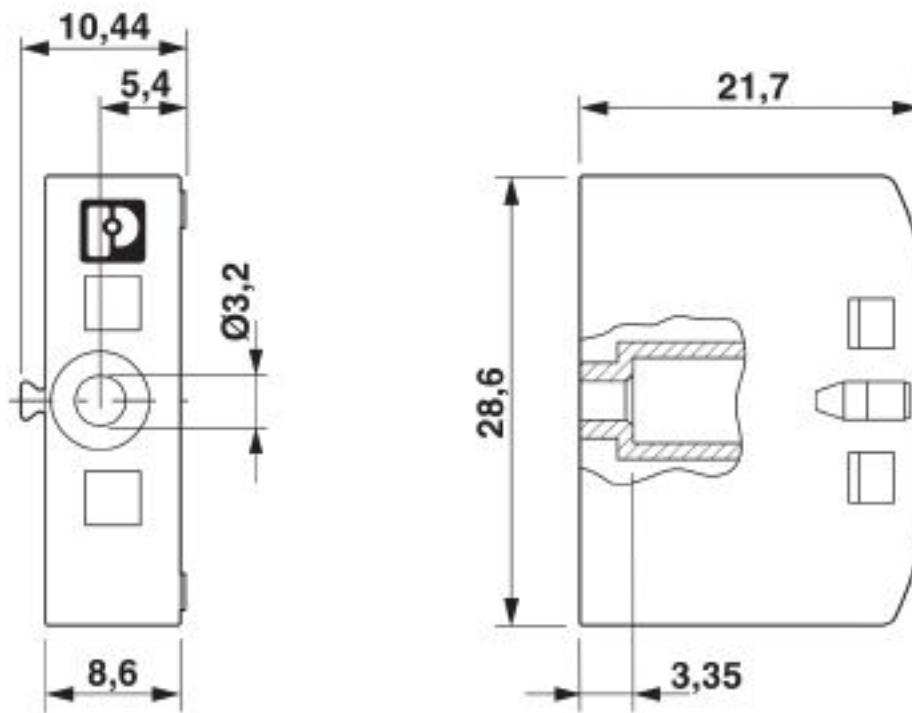
Flammability rating according to UL 94	V0
--	----

Environmental Product Compliance

China RoHS	Environmentally friendly use period: unlimited = EFUP-e
	No hazardous substances above threshold values

Drawings

Dimensional drawing



Classifications

eCl@ss

eCl@ss 10.0.1	27141190
eCl@ss 4.0	27141100
eCl@ss 4.1	27141100

Flange - PTFIX-F - 3274060

Classifications

eCl@ss

eCl@ss 5.0	27141100
eCl@ss 5.1	27141100
eCl@ss 6.0	27141100
eCl@ss 7.0	27141190
eCl@ss 8.0	27370419
eCl@ss 9.0	27370419

ETIM

ETIM 2.0	EC001031
ETIM 3.0	EC001031
ETIM 4.0	EC001031
ETIM 5.0	EC001024
ETIM 6.0	EC001024
ETIM 7.0	EC001024

UNSPSC

UNSPSC 6.01	31261501
UNSPSC 7.0901	31261501
UNSPSC 11	31261501
UNSPSC 12.01	31261501
UNSPSC 13.2	31261501
UNSPSC 18.0	39121708
UNSPSC 19.0	39121708
UNSPSC 20.0	39121708
UNSPSC 21.0	39121708

Approvals

Approvals

Approvals

EAC

Ex Approvals

Approval details

Flange - PTFIX-F - 3274060

Approvals

EAC



RU C-
DE.AI30.B.01102