

# Fork-type cable lug - C-FC 6/M5

3240149

<https://www.phoenixcontact.com/pc/products/3240149>

Please be informed that the data shown in this PDF document is generated from our Online Catalog. Please find the complete data in the user documentation. Our General Terms of Use for Downloads are valid.

Fork-type cable lug, non-insulated, 2.6 - 6 mm<sup>2</sup>, M5



## Your advantages

- The fork-type cable lugs without plastic sleeve feature a hard-soldered neck. In conjunction with the CRIMPFOX-RC ... and CRIMPFOX-RCI ... pliers they can be used to achieve maximum conductor pull-out forces
- The insulated versions are halogen-free and feature "EASY ENTRY" technology

## Commercial Data

Item number	3240149
Packing unit	50 pc
Minimum order quantity	50 pc
Product Key	BH3442
Catalog Page	Page 494 (C-3-2019)
GTIN	4046356453660
Weight per Piece (including packing)	1.424 g
Weight per Piece (excluding packing)	1.424 g
Customs tariff number	85369010
Country of origin	CN

# Fork-type cable lug - C-FC 6/M5

3240149

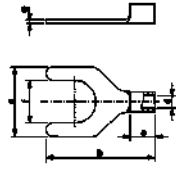
<https://www.phoenixcontact.com/pc/products/3240149>

## Technical Data

### Product properties

Product type	Connector
--------------	-----------

### Dimensions

Dimensional drawing	
Width	9 mm
Length	19.5 mm
Length of the insulating material sleeve	6.5 mm
Maximum stripping length	9 mm
Distance from the center to the insulating material sleeve	8 mm
Min. material thickness	1 mm
Inner dimensions of the insulating collar	3.6 mm

### Internal dimensions

Internal diameter	5.3 mm
-------------------	--------

### Material specifications

Color	silver
Material	Copper
Coating	tin-plated
Components	halogen-free

### Environmental and real-life conditions

#### Ambient conditions

Ambient temperature (operation)	110 °C
---------------------------------	--------

### Standards and regulations

Design according to standard	DIN 46234
------------------------------	-----------

# Fork-type cable lug - C-FC 6/M5

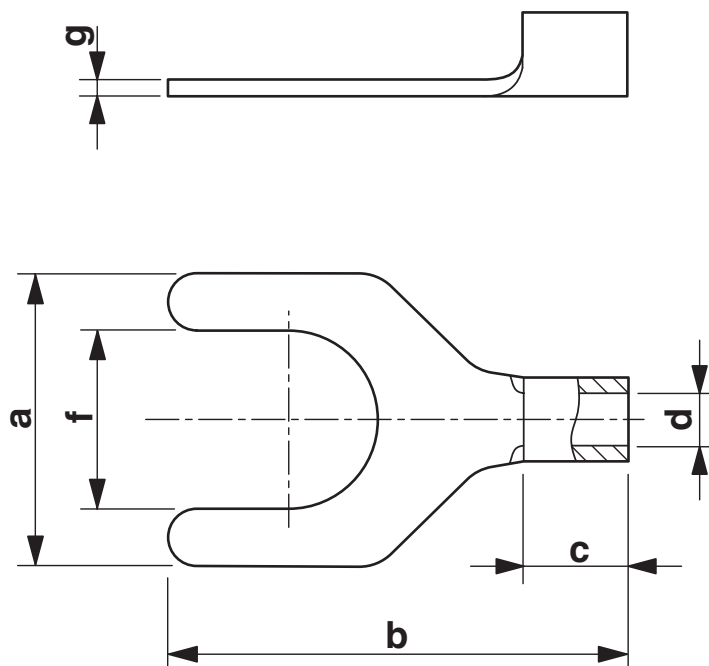
3240149

<https://www.phoenixcontact.com/pc/products/3240149>



## Drawings

Dimensional drawing



# Fork-type cable lug - C-FC 6/M5



3240149

<https://www.phoenixcontact.com/pc/products/3240149>

## Classifications

### ECLASS

ECLASS-9.0	27400204
ECLASS-10.0.1	27400204
ECLASS-11.0	27400204

### ETIM

ETIM 8.0	EC001052
----------	----------

### UNSPSC

UNSPSC 21.0	27121700
-------------	----------

# Fork-type cable lug - C-FC 6/M5



3240149

<https://www.phoenixcontact.com/pc/products/3240149>

## Environmental Product Compliance

China RoHS	Environmentally friendly use period: unlimited = EFUP-e No hazardous substances above threshold values
------------	---

Phoenix Contact 2022 © - all rights reserved  
<https://www.phoenixcontact.com>

PHOENIX CONTACT GmbH & Co. KG  
Flachmarktstraße 8  
D-32825 Blomberg  
+49 (0) 5235-3 00  
[info@phoenixcontact.com](mailto:info@phoenixcontact.com)