

# Ferrule - AI 50 -20 OL

3201178

<https://www.phoenixcontact.com/pc/products/3201178>

Please be informed that the data shown in this PDF document is generated from our Online Catalog. Please find the complete data in the user documentation. Our General Terms of Use for Downloads are valid.

Ferrule, sleeve length: 20 mm, length: 36 mm, color: olive



## Your advantages

- The ferrules with plastic sleeve are made from soft tin-plated electrolytic copper
- The AI 0,25... can also be used to process 0.14 mm<sup>2</sup> conductors
- In terms of dimensions, they correspond to DIN 46228-4: 1990-09

## Commercial Data

Item number	3201178
Packing unit	50 pc
Minimum order quantity	50 pc
Sales Key	05
Product Key	BH3411
Catalog Page	Page 483 (C-3-2019)
GTIN	4017918094713
Weight per Piece (including packing)	3 g
Weight per Piece (excluding packing)	3 g
Customs tariff number	85369010
Country of origin	DE

## Technical Data

### Product properties

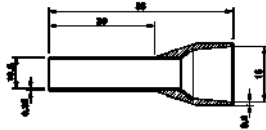
Product type	Ferrule
Conductor category	stranded conductors, class 2, 5, 6 / B, C, K, M

### Connection data

#### Conductor connection

Conductor cross section flexible max.	50 mm <sup>2</sup>
Conductor cross section AWG max.	1/0
Stripping length	25 mm

### Dimensions

Dimensional drawing	
Length	36 mm
Sleeve length	20 mm
Maximum stripping length	25 mm
Ferrule diameter	10.3 mm
Sleeve wall thickness	0.35 mm
Insulating collar thickness	0.6 mm
Inner dimensions of the insulating collar	15 mm

### Material specifications

Color	olive
Material	CU-DHP
Flammability rating according to UL 94	HB
Coating	tin-plated (galvanic)
Components	free from silicone and halogen

### Mechanical properties

#### Technical data

Sleeve length	20 mm
---------------	-------

### Environmental and real-life conditions

#### Ambient conditions

Permanent temperature	105 °C (-40 °C no load / 0 °C dynamic load)
Short-term temperature	120 °C

# Ferrule - AI 50 -20 OL

3201178

<https://www.phoenixcontact.com/pc/products/3201178>



## Standards and regulations

Design according to standard

Special color

# Ferrule - AI 50 -20 OL

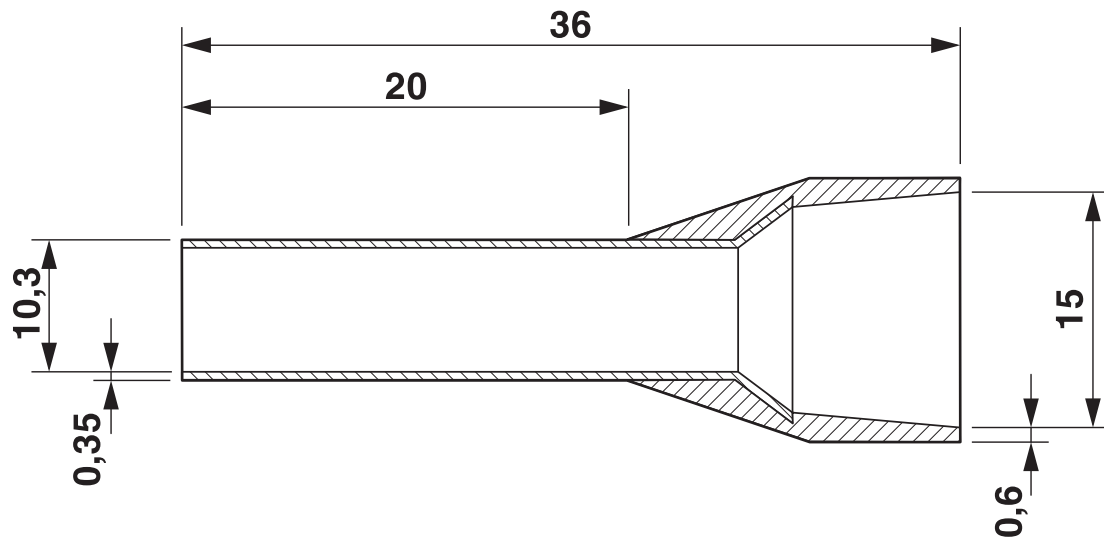
3201178

<https://www.phoenixcontact.com/pc/products/3201178>



## Drawings

Dimensional drawing



# Ferrule - AI 50 -20 OL



3201178

<https://www.phoenixcontact.com/pc/products/3201178>

## Classifications

### ECLASS

ECLASS-9.0	27400201
ECLASS-10.0.1	27400201
ECLASS-11.0	27400201

### ETIM

ETIM 8.0	EC000005
----------	----------

### UNSPSC

UNSPSC 21.0	27121700
-------------	----------

# Ferrule - AI 50 -20 OL

3201178

<https://www.phoenixcontact.com/pc/products/3201178>



## Environmental Product Compliance

China RoHS	Environmentally friendly use period: unlimited = EFUP-e
	No hazardous substances above threshold values

Phoenix Contact 2023 © - all rights reserved  
<https://www.phoenixcontact.com>

PHOENIX CONTACT GmbH & Co. KG  
Flachmarktstraße 8  
D-32825 Blomberg  
+49 (0) 5235-3 00  
[info@phoenixcontact.com](mailto:info@phoenixcontact.com)