

Test plug - FTPR-3/19S



3069976

<https://www.phoenixcontact.com/de/produkte/3069976>

Please be informed that the data shown in this PDF document is generated from our Online Catalog. Please find the complete data in the user documentation. Our General Terms of Use for Downloads are valid.

Test plug, With twist grip, color: gray



Your advantages

- Cost-effective, thanks to the tailored, modular design and use of standardized CLIPLINE complete accessories
- Space saving, thanks to offset test socket arrangement
- Easy and time saving, thanks to functional grouping of switching operations
- Safe, thanks to guided operation with patented twist grip
- Maximum safety with leading and automatic transformer short circuit
- The integrated, robust switch contact is designed for the most stringent demands, and the use of high-quality materials ensures the transmission of signal currents, even after multiple actuations
- The automatically generated transformer short circuit and the shock-proof design ensure the highest degree of safety during measurement

Commercial Data

Item number	3069976
Packing unit	1 pc
Minimum order quantity	1 pc
Sales Key	A1 - Reihenklemmen
Product Key	BE6113
GTIN	4055626395807
Weight per Piece (including packing)	961,57 g
Weight per Piece (excluding packing)	758,44 g
Customs tariff number	85366990
Country of origin	PL

Test plug - FTFR-3/19S

3069976

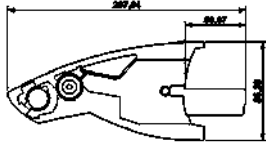
<https://www.phoenixcontact.com/de/produkte/3069976>

Technical Data

Product properties

Product type	Test plug terminal block
Number of positions	19
Pitch	8.2 mm
Potentials	19

Dimensions

Dimensional drawing	
Width	187.5 mm
Length	86 mm
Pitch	8.2 mm

Material specifications

Color	gray
Flammability rating according to UL 94	V0
Insulating material	PA

Environmental and real-life conditions

Ambient conditions

Ambient temperature (operation)	-60 °C ... 105 °C (max. short-term operating temperature RTI Elec.)
Ambient temperature (storage/transport)	-25 °C ... 60 °C (for a short time, not exceeding 24 h, -60 °C to +70 °C)
Ambient temperature (assembly)	-5 °C ... 70 °C
Ambient temperature (actuation)	-5 °C ... 70 °C
Permissible humidity (storage/transport)	30 % ... 70 %

Test plug - FTPR-3/19S

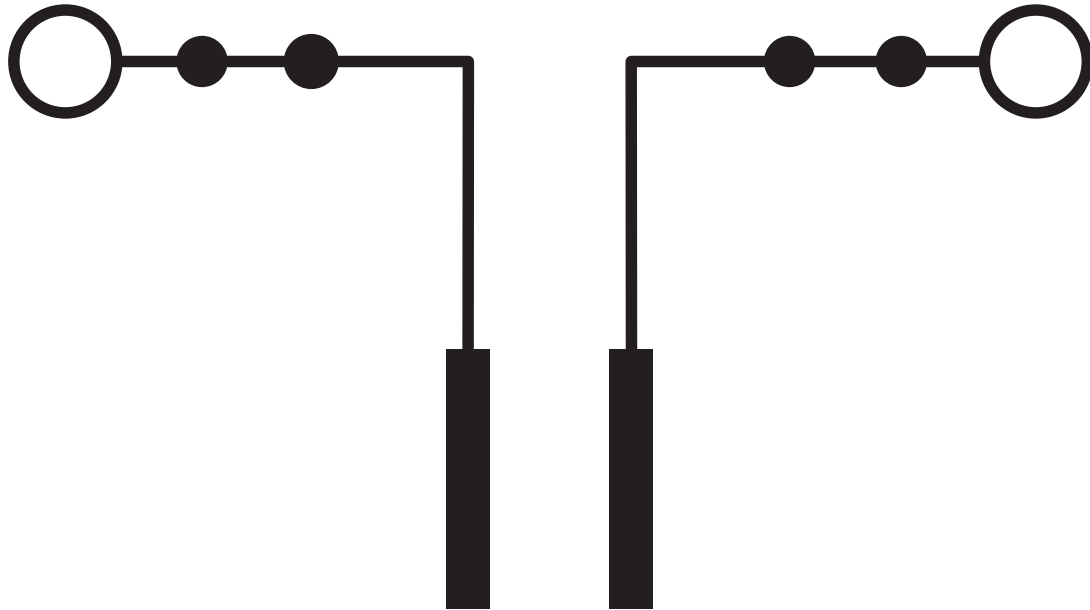
3069976

<https://www.phoenixcontact.com/de/produkte/3069976>

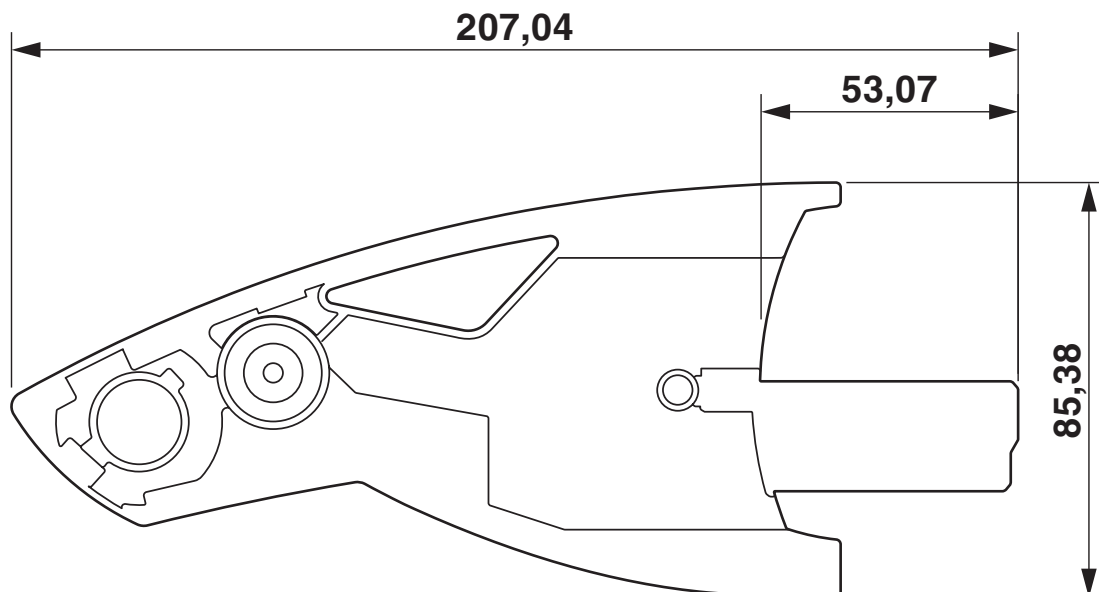


Drawings

Circuit diagram



Dimensional drawing



Test plug - FTPR-3/19S

3069976

<https://www.phoenixcontact.com/de/produkte/3069976>



Approvals



EAC

Approval ID: RU C-DE.BL08.B.00511



cULus Recognized

Approval ID: E60425

Test plug - FTPR-3/19S



3069976

<https://www.phoenixcontact.com/de/produkte/3069976>

Classifications

ECLASS

ECLASS-9.0	27440313
ECLASS-10.0.1	27440313
ECLASS-11.0	27440313

ETIM

ETIM 8.0	EC002255
----------	----------

UNSPSC

UNSPSC 21.0	20122000
-------------	----------

Test plug - FTFR-3/19S



3069976

<https://www.phoenixcontact.com/de/produkte/3069976>

Environmental Product Compliance

REACH SVHC	Lead 7439-92-1
China RoHS	Environmentally friendly use period: unlimited = EFUP-e
	No hazardous substances above threshold values

Phoenix Contact 2023 © - all rights reserved
<https://www.phoenixcontact.com>

PHOENIX CONTACT Deutschland GmbH
Flachsmarktstraße 8
D-32825 Blomberg
+49 52 35/3-1 20 00
info@phoenixcontact.de