

## Electronic housing - UMK-BE 11,25 BK - 2976394


Please be informed that the data shown in this PDF Document is generated from our Online Catalog. Please find the complete data in the user's documentation. Our General Terms of Use for Downloads are valid (<http://phoenixcontact.com/download>)



Electronic board base, plug-in module base element

The figure shows a combination of versions UMK SE 11,25, UMK BE 11,25,- 22,5, -45 and UMK-FE, in green

### Key Commercial Data

Packing unit	10 pc
GTIN	 4 017918 281199
GTIN	4017918281199

### Technical data

#### General

Housing type	Panel mounting base
Housing material	Polyamide
Color (RAL)	black (9005)

#### Ambient conditions

Ambient temperature (operation)	-40 °C ... 105 °C
---------------------------------	-------------------

#### Dimensions

Length	77 mm
Width	33.75 mm
Depth	77 mm

#### Technical data

Number of positions	999
---------------------	-----

### Standards and Regulations

# Electronic housing - UMK-BE 11,25 BK - 2976394

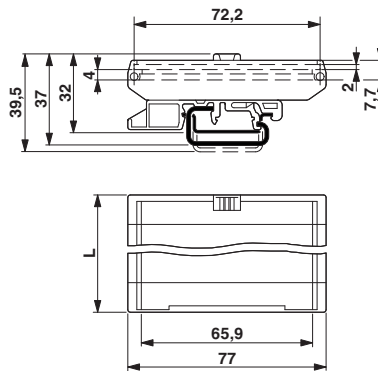
## Technical data

### Standards and Regulations

Flammability rating according to UL 94	V2
--	----

## Drawings

Dimensional drawing



Phoenix Contact 2019 © - all rights reserved  
<http://www.phoenixcontact.com>

PHOENIX CONTACT GmbH & Co. KG  
Flachsmarktstr. 8  
32825 Blomberg  
Germany  
Tel. +49 5235 300  
Fax +49 5235 3 41200  
<http://www.phoenixcontact.com>