

Active module - UM-D37M/16R-120AC/DI/C3/L - 2906910

Please be informed that the data shown in this PDF Document is generated from our Online Catalog. Please find the complete data in the user's documentation. Our General Terms of Use for Downloads are valid (<http://phoenixcontact.com/download>)




VARIOFACE 16-channel module enhances the capabilities of Honeywell Experion LX digital input IOTA's, enabling the use of (120 V AC) digital input signals with (24 V DC) Experion LX systems

Your advantages

- UM-PRO housing
- DIN rail mounting, includes grounding foot
- Per channel LED (coil) signal indication
- Provides isolation between 120 V field devices and 24 V controller



Key Commercial Data

Packing unit	1 pc
GTIN	 4 055626 163475
GTIN	4055626163475
Weight per Piece (excluding packing)	600.000 g
Custom tariff number	85369010
Country of origin	United States

Technical data

Note

Utilization restriction	EMC: class A product, see manufacturer's declaration in the download area
-------------------------	---

Dimensions

Width	184 mm
Height	142.3 mm
Depth	65.2 mm

Active module - UM-D37M/16R-120AC/DI/C3/L - 2906910

Technical data

Ambient conditions

Ambient temperature (operation)	-40 °C ... 60 °C
Ambient temperature (storage/transport)	-40 °C ... 70 °C

Input data

Nominal input voltage U_N	120 V AC
Input voltage range in reference to U_N	0.8 ... 1.1
Typical input current at U_N	3 mA
Typical response time	6 ms
Typical release time	15 ms
Type of protection	Free-wheeling diode
Protective circuit/component	Damping diode
Status display/channel	Yellow LED

Output data

Contact type	1 N/O contact (double contact)
Contact material	AgNi, 5 µm hard gold-plated
Maximum switching voltage	30 V AC 36 V DC
Minimum switching voltage	100 mV
Limiting continuous current	50 mA
Min. switching current	1 mA

General

No. of channels	16
With components	yes
Mechanical service life	2×10^7 cycles
Operating mode	100% operating factor
Color	yellow

Connection data

Connection name	Field level
Connection method	Screw connection
Stripping length	8 mm
Screw thread	M3
Conductor cross section solid	0.2 mm ² ... 4 mm ²
Conductor cross section flexible	0.2 mm ² ... 2.5 mm ²
Conductor cross section AWG	24 ... 12

Connection data 2

Connection name	Controller level
-----------------	------------------

Active module - UM-D37M/16R-120AC/DI/C3/L - 2906910

Technical data

Connection data 2

Connection method	D-SUB connector
Number of connections	1
Number of positions	37

Supported controller

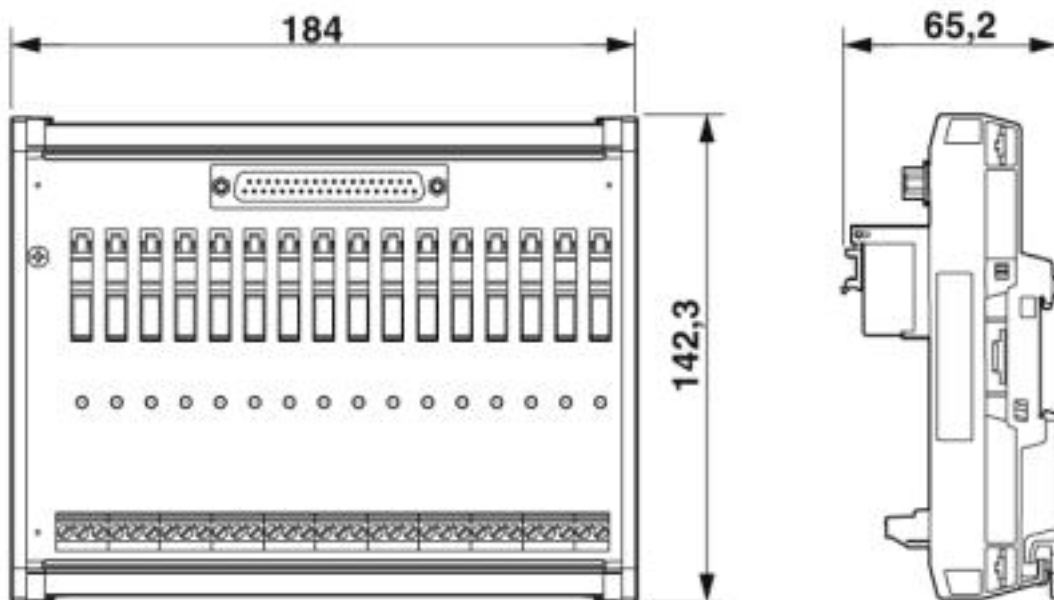
Controller	Honeywell Experion LX Series 8
- suitable I/O card	TDILA1
	TDILB1

Environmental Product Compliance

REACH SVHC	Lead 7439-92-1
China RoHS	Environmentally Friendly Use Period = 50 years
	For details about hazardous substances go to tab "Downloads", Category "Manufacturer's declaration"

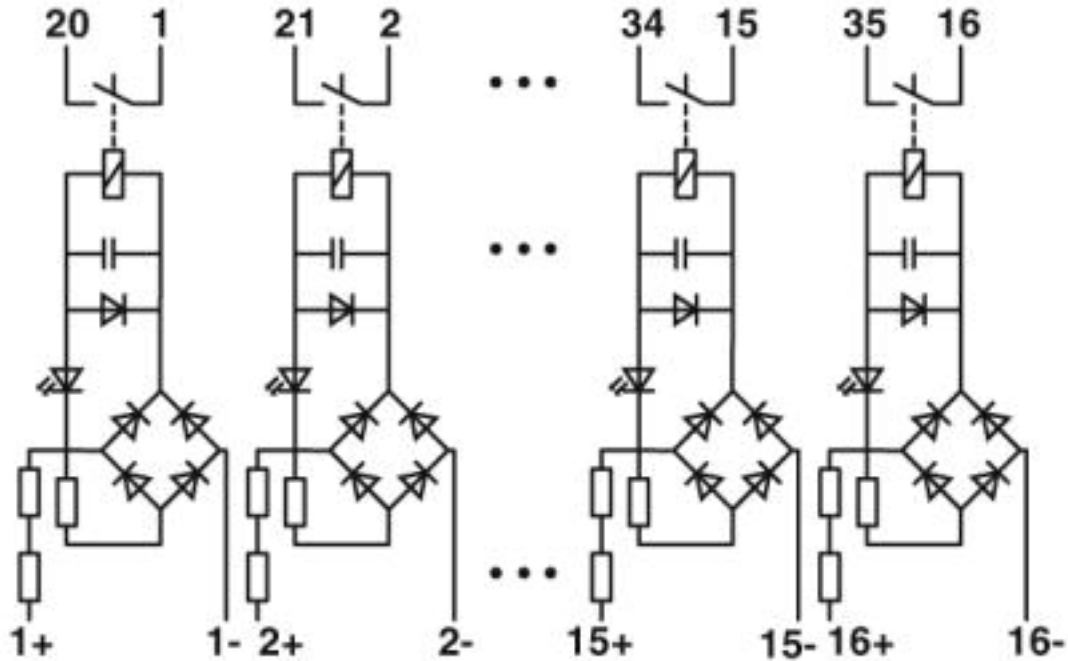
Drawings

Dimensional drawing



Active module - UM-D37M/16R-120AC/DI/C3/L - 2906910

Circuit diagram



Classifications

eCl@ss

eCl@ss 4.0	27250313
eCl@ss 4.1	27250313
eCl@ss 5.0	27250313
eCl@ss 5.1	27250313
eCl@ss 7.0	27141152
eCl@ss 8.0	27141152
eCl@ss 9.0	27141152

ETIM

ETIM 4.0	EC002780
ETIM 5.0	EC002780
ETIM 6.0	EC002780
ETIM 7.0	EC002780

UNSPSC

UNSPSC 13.2	39121432
UNSPSC 18.0	39121432
UNSPSC 19.0	39121432

Active module - UM-D37M/16R-120AC/DI/C3/L - 2906910

Classifications

UNSPSC

UNSPSC 20.0	39121432
UNSPSC 21.0	39121432

Accessories

Accessories

System cable

Cable - CABLE-D37SUB/B/B/ 100/KONFEK/S - 2305509



Assembled shielded round cable; connection 1: D-SUB socket strip (1x 37-position); connection 2: D-SUB socket strip (1x 37-position); cable length: 1 m

Cable - CABLE-D37SUB/B/B/ 200/KONFEK/S - 2305512



Assembled shielded round cable; connection 1: D-SUB socket strip (1x 37-position); connection 2: D-SUB socket strip (1x 37-position); cable length: 2 m

Cable - CABLE-D37SUB/B/B/ 300/KONFEK/S - 2305525



Assembled shielded round cable; connection 1: D-SUB socket strip (1x 37-position); connection 2: D-SUB socket strip (1x 37-position); cable length: 3 m

Cable - CABLE-D37SUB/B/B/ 400/KONFEK/S - 2900759



Assembled shielded round cable; connection 1: D-SUB socket strip (1x 37-position); connection 2: D-SUB socket strip (1x 37-position); cable length: 4 m

Active module - UM-D37M/16R-120AC/DI/C3/L - 2906910

Accessories

Cable - CABLE-D37SUB/B/B/ 600/KONFEK/S - 2900760



Assembled shielded round cable; connection 1: D-SUB socket strip (1x 37-position); connection 2: D-SUB socket strip (1x 37-position); cable length: 6 m

Cable - CABLE-D37SUB/B/B/ 800/KONFEK/S - 2900761



Assembled shielded round cable; connection 1: D-SUB socket strip (1x 37-position); connection 2: D-SUB socket strip (1x 37-position); cable length: 8 m

Cable - CABLE-D37SUB/B/B/1000/KONFEK/S - 2900762



Assembled shielded round cable; connection 1: D-SUB socket strip (1x 37-position); connection 2: D-SUB socket strip (1x 37-position); cable length: 10 m

Cable - CABLE-D37SUB/B/B/1500/KONFEK/S - 2900763



Assembled shielded round cable; connection 1: D-SUB socket strip (1x 37-position); connection 2: D-SUB socket strip (1x 37-position); cable length: 15 m

Cable - CABLE-D37SUB/B/B/2000/KONFEK/S - 2900764



Assembled shielded round cable; connection 1: D-SUB socket strip (1x 37-position); connection 2: D-SUB socket strip (1x 37-position); cable length: 20 m

Necessary add-on products

Active module - UM-D37M/16R-120AC/DI/C3/L - 2906910

Accessories

Front adapters - FLKM-PA-D37/HW/DIO/C300 - 2901423



VARIOFACE front adapter, for Honeywell C300, Series C I/O, maximum of 1 x 16 channels can be connected (37-pos. D-SUB connector). Specifically for connecting digital, redundant I/O cards.

Spare parts

Single relay - REL-MR- 60DC/21AU - 2961134



Plug-in miniature power relay, with multi-layer gold contact, 1 PDT, input voltage 60 V DC