

**POWERSET BC/3+1-100/FM**

Order No.: 2858467

<http://eshop.phoenixcontact.de/phoenix/treeViewClick.do?UID=2858467>

AEC arrester combination consisting of 3 x FLT 35 CTRL-0,9; 3 x VAL-MS 230/FM and 1 x FLT 100 N/PE CTR-1,5, incl. bridges and labeling

**Commercial data**

GTIN (EAN)	 4 017918 892722
Note	Made-to-order
sales group	J001
Pack	1 pcs.
Customs tariff	85363030
Catalog page information	Page 19 (TT-2002)

**Product notes**

WEEE/RoHS-compliant since:  
05/08/2006



<http://www.download.phoenixcontact.com>  
Please note that the data given here has been taken from the online catalog. For comprehensive information and data, please refer to the user documentation. The General Terms and Conditions of Use apply to Internet downloads.

**Technical data****Standards**

Housing material	PA 6.6-FR
Color	black
Degree of protection	IP20
Mounting type	DIN rail: 35 mm
Design	DIN rail module, two-section, divisible

Message: Surge protection fault	Optical (Type 2 arrester), remote indication contact (Type 2 arrester)
Direction of action	3L-N & N-PE
Width	142.00 mm
Height	65.50 mm
Length	112.40 mm
Pitch unit	8 Div.

#### Protective circuit

IEC category	I + II
EN type	T1 + T2
Nominal voltage $U_N$	230 V AC
	400 V AC
Arrester rated voltage $U_C$ (L-PE)	260 V AC
Lightning test current (10/350) $\mu$ s, charge	50 As
Lightning test current (10/350) $\mu$ s, peak value $I_{imp}$	100 kA
Protection level $U_P$ (L-N)	$\leq 0.9$ kV
Protection level $U_P$ (L-PE)	$\leq 1.5$ kV
Protection level $U_P$ (N-PE)	$\leq 1.5$ kV
Max. required backup fuse with branch wiring	125 A (gL)
Short-circuit current self-quenching	3 kA (260 V)

#### Connection, protective circuit

Connection name	FLT...
Connection type IN	Biconnect screw terminal block
Connection type OUT	Biconnect screw terminal block
Screw thread	M6
Tightening torque	8 Nm
Stripping length	19 mm
Conductor cross section stranded min.	16 mm <sup>2</sup>
Conductor cross section stranded max.	35 mm <sup>2</sup>
Conductor cross section solid min.	10 mm <sup>2</sup>
Conductor cross section solid max.	50 mm <sup>2</sup>
Conductor cross section AWG/kcmil min.	6
Conductor cross section AWG/kcmil max	1

**Remote indicator contact**

Connection name	Remote fault indicator contact
Switching function	PDT contact
Conductor cross section stranded min.	0.14 mm <sup>2</sup>
Conductor cross section stranded max.	1.5 mm <sup>2</sup>
Conductor cross section solid min.	0.14 mm <sup>2</sup>
Conductor cross section solid max.	1.5 mm <sup>2</sup>
Conductor cross section AWG/kcmil min.	28
Conductor cross section AWG/kcmil max	16

**Certificates / Approvals**



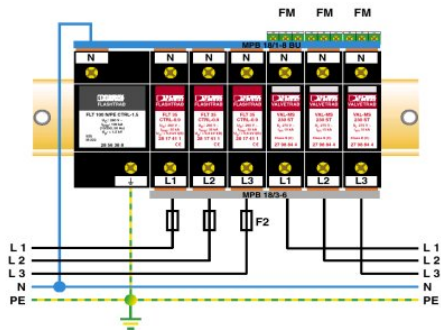
Certification GOST

**Accessories**

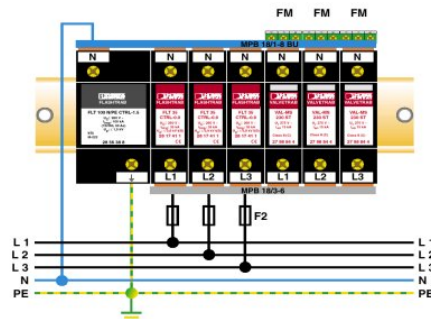
Item	Designation	Description
<b>Assembly</b>		
3022218	CLIPFIX 35	Snap-on end bracket, for 35 mm NS 35/7.5 or NS 35/15 DIN rail, can be fitted with Zack strip ZB 8 and ZB 8/27, terminal strip marker KLM 2 and KLM, width: 9.5 mm, color: gray
<b>Marking</b>		
1051993	B-STIFT	Marker pen, for manual labeling of unprinted Zack strips, smear-proof and waterproof, line thickness 0.5 mm

Diagrams/Drawings

Application drawing

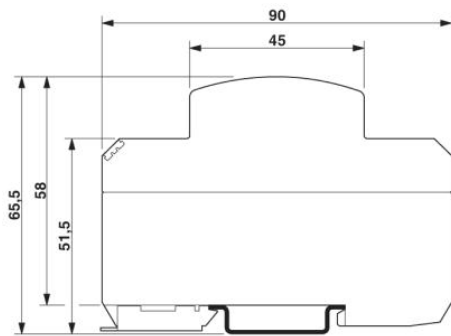


V-shaped connection  $F2 \leq 80 \text{ A gl}$

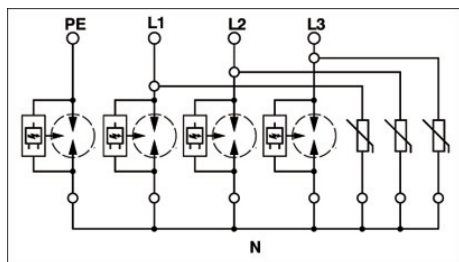


V-shaped connection  $F2 \leq 125 \text{ A gl}$

Dimensioned drawing



Circuit diagram



**Address**

PHOENIX CONTACT Inc., USA  
586 Fulling Mill Road  
Middletown, PA 17057, USA  
Phone (800) 888-7388  
Fax (717) 944-1625  
<http://www.phoenixcon.com>



© 2011 Phoenix Contact  
Technical modifications reserved;