

Basic terminal block - ZFK-RELG 7 - 2829933

Please be informed that the data shown in this PDF Document is generated from our Online Catalog. Please find the complete data in the user's documentation. Our General Terms of Use for Downloads are valid (<http://phoenixcontact.com/download>)



Basic termination blocks with spring-cage connection for NS 35/7.5 DIN rail, with end cover, for ST-REL..., ST-OV... and ST-OE... plugs, 7-pos.

The figure shows versions with a different no. of positions

Key Commercial Data

Packing unit	1 pc
Minimum order quantity	5 pc
GTIN	 4 017918 101183
GTIN	4017918101183
Weight per Piece (excluding packing)	87.580 g
Custom tariff number	85369010
Country of origin	Poland

Technical data

Dimensions

Width	45.6 mm
Height	58.4 mm
Depth	108 mm

General

Number of positions	7
Nominal voltage U_N	400 V (voltage is determined by the coupling connector.)
Nominal current I_N	16 A (current is determined by the coupling connector.)
Color	gray

Basic terminal block - ZFK-RELG 7 - 2829933

Technical data

General

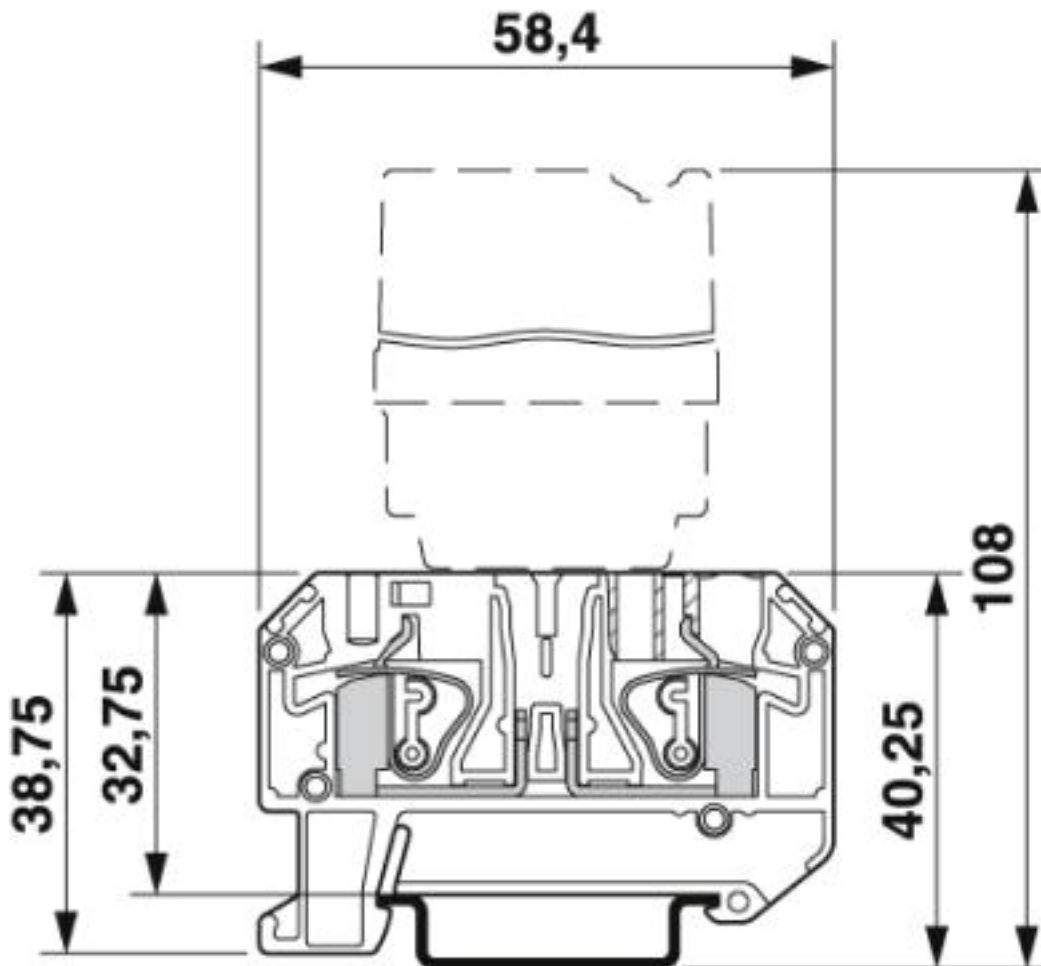
Insulating material	PA
---------------------	----

Environmental Product Compliance

China RoHS	Environmentally Friendly Use Period = 50 years
	For details about hazardous substances go to tab "Downloads", Category "Manufacturer's declaration"

Drawings

Dimensional drawing



Basic terminal block - ZFK-RELG 7 - 2829933

Classifications

eCl@ss

eCl@ss 4.0	27141100
eCl@ss 4.1	27141100
eCl@ss 5.0	27371600
eCl@ss 5.1	27371600
eCl@ss 6.0	27371600
eCl@ss 7.0	27371603
eCl@ss 8.0	27371603
eCl@ss 9.0	27371603

ETIM

ETIM 2.0	EC001456
ETIM 3.0	EC001456
ETIM 4.0	EC001456
ETIM 5.0	EC001456
ETIM 6.0	EC001456
ETIM 7.0	EC001456

UNSPSC

UNSPSC 6.01	30211811
UNSPSC 7.0901	39121410
UNSPSC 11	39121410
UNSPSC 12.01	39121410
UNSPSC 13.2	39122326
UNSPSC 19.0	39122326

Approvals

Approvals

Approvals

EAC

Ex Approvals

Approval details

Basic terminal block - ZFK-RELG 7 - 2829933

Approvals

EAC



RU C-
DE.A*30.B.01742

Accessories

Accessories

End block

End clamp - E/UK - 1201442



End clamp, width: 9.5 mm, height: 35.3 mm, material: PA, length: 50.5 mm, Mounting on a DIN rail NS 32 or NS 35, color: gray

Insulating sleeve

Insulating sleeve - ISH 4/1,0 - 3002898



Insulating sleeve, color: black

Insulating sleeve - ISH 4/0,5 - 3002885



Insulating sleeve, color: gray

Screwdriver tools

Basic terminal block - ZFK-RELG 7 - 2829933

Accessories

Screwdriver - SZF 1-0,6X3,5 - 1204517



Actuation tool, for ST terminal blocks, also suitable for use as a bladed screwdriver, size: 0.6 x 3.5 x 100 mm, 2-component grip, with non-slip grip

Phoenix Contact 2020 © - all rights reserved
<http://www.phoenixcontact.com>