

Isolating amplifier - MCR-FL-C-UI-2UI-DCI-NC - 2814867

Please be informed that the data shown in this PDF Document is generated from our Online Catalog. Please find the complete data in the user's documentation. Our General Terms of Use for Downloads are valid (<http://download.phoenixcontact.com>)



MCR signal multiplier, for doubling and electrical isolation of analog signals, unconfigured

Product Features

- Calibrated selectable input and output signals
- 4-way isolation



Key commercial data

GTIN	 4 017918 820336
------	---------------------

Technical data

Note:

Utilization restriction	EMC: class A product, see manufacturer's declaration in the download area
-------------------------	---------------------------------------------------------------------------

Input data

Description of the input	Current input
Configurable/programmable	Yes, unconfigured
Current input signal	0 mA ... 24 mA (freely selectable in 0.1 mA steps)
Max. input current	50 mA
Input resistance current input	50 Ω
Description of the input	Voltage input
Configurable/programmable	Yes, unconfigured
Voltage input signal	0 V ... 12 V (freely selectable in 0.1 V steps)
Max. input voltage	30 V
Input resistance of voltage input	200 kΩ

Isolating amplifier - MCR-FL-C-UI-2UI-DCI-NC - 2814867

Technical data

Output data

Output name	Current output
Configurable/programmable	Yes, unconfigured
Current output signal	(see order key / configuration table)
Max. output current	35 mA
Load/output load current output	$\leq 600 \Omega$
Output name	Voltage output
Configurable/programmable	Yes, unconfigured
Voltage output signal	(see order key / configuration table)
Max. output voltage	15 V
Load/output load voltage output	$\geq 10 \text{ k}\Omega$

Power supply

Supply voltage range	20 V DC ... 30 V DC
Max. current consumption	< 25 mA

Connection data

Connection method	Pluggable screw connection
Conductor cross section solid min.	0.2 mm ²
Conductor cross section solid max.	2.5 mm ²
Conductor cross section stranded min.	0.2 mm ²
Conductor cross section stranded max.	2.5 mm ²
Conductor cross section AWG/kcmil min.	24
Conductor cross section AWG/kcmil max	14
Stripping length	8 mm
Screw thread	M3

General data

No. of channels	2
Width	17.5 mm
Height	99 mm
Depth	114.5 mm
Maximum transmission error	$\leq 0.15 \%$ (of final value)
Transmission error, typical	0.05 % (of final value)
Maximum temperature coefficient	< 0.015 %/K
Temperature coefficient, typical	0.0075 %/K
Limit frequency (3 dB)	30 Hz
Step response (10-90%)	12 ms
Protective circuit	Transient protection
Ambient temperature (operation)	-25 °C ... 55 °C
Degree of protection	IP20

Isolating amplifier - MCR-FL-C-UI-2UI-DCI-NC - 2814867

Technical data

General data

Test voltage, input/output/supply	1.5 kV (50 Hz, 1 min.)
Color	green
Housing material	Polyamide PA non-reinforced
Mounting position	Any
Conformance	CE-compliant
UL, USA / Canada	Class I, Div. 2, Groups A, B, C, D or non-hazardous locations

Classifications

ETIM

ETIM 2.0	EC001485
ETIM 3.0	EC001485
ETIM 4.0	EC001485
ETIM 5.0	EC001485

UNSPSC

UNSPSC 11	39121008
UNSPSC 12.01	39121008
UNSPSC 13.2	39121008
UNSPSC 6.01	30211506
UNSPSC 7.0901	39121008

eCl@ss

eCl@ss 4.0	27210120
eCl@ss 4.1	27210120
eCl@ss 5.0	27210120
eCl@ss 5.1	27210120
eCl@ss 6.0	27210120
eCl@ss 7.0	27210120

Approvals

Approvals

Approvals

UL Recognized / cUL Recognized / GOST / cULus Recognized

Isolating amplifier - MCR-FL-C-UI-2UI-DCI-NC - 2814867

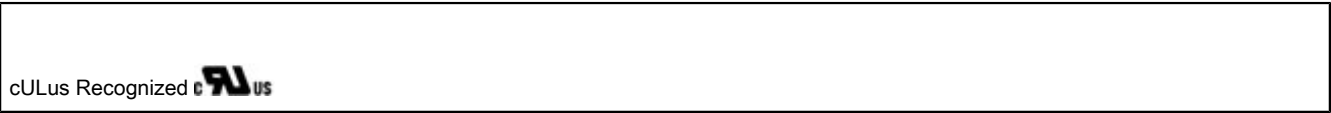
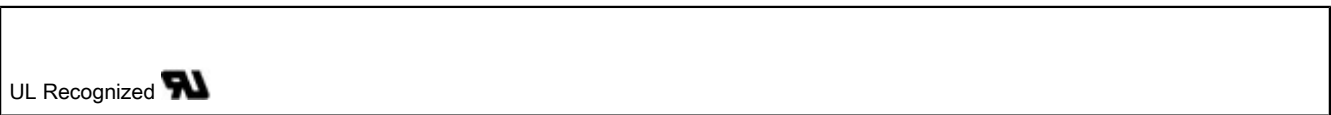
Approvals

Ex Approvals

UL Listed / cUL Listed / cULus Listed

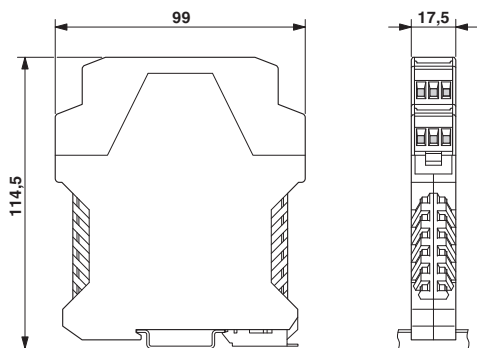
Approvals submitted

Approval details

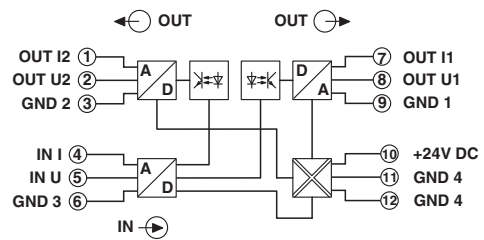


Drawings

Dimensioned drawing

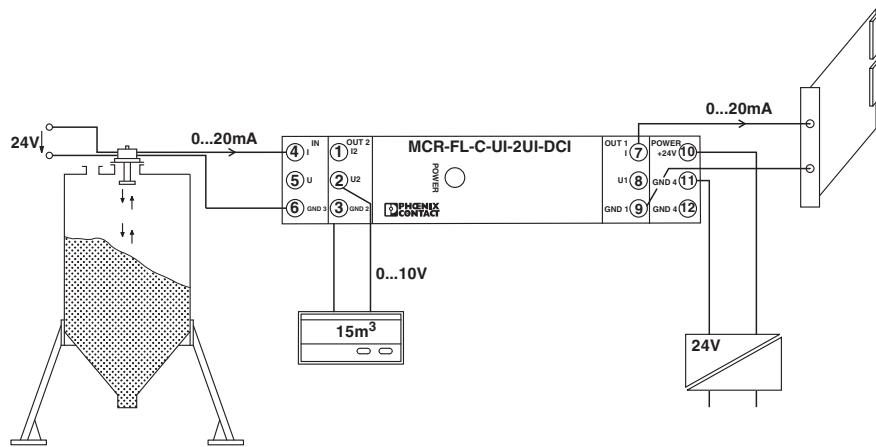


Circuit diagram



Isolating amplifier - MCR-FL-C-UI-2UI-DCI-NC - 2814867

Application drawing



Application example: - Level measurement with subsequent signal multiplication

1 = filling level sensor

2 = control

3 = mains voltage