

Potential distributors - CBB TM 08 2X4RC P-PT



2801482

<https://www.phoenixcontact.com/de/produkte/2801482>

Please be informed that the data shown in this PDF document is generated from our Online Catalog. Please find the complete data in the user documentation. Our General Terms of Use for Downloads are valid.



Device circuit breaker boards for eight CB TM1... thermomagnetic circuit breakers with group remote signaling, central supply, and potential distribution for up to five loads per channel.

Commercial Data

Item number	2801482
Packing unit	1 pc
Minimum order quantity	1 pc
Sales Key	L1 - Schutzschalter
Product Key	CLA211
Catalog Page	Page 262 (C-6-2013)
GTIN	4046356782326
Weight per Piece (including packing)	557 g
Weight per Piece (excluding packing)	557 g
Customs tariff number	85362010
Country of origin	DE

2801482

<https://www.phoenixcontact.com/de/produkte/2801482>

Technical Data

Product properties

Type	DIN rail module, two-section, divisible
Product type	Device circuit breaker board
Number of positions	1
No. of channels	8

Insulation characteristics

Protection class	III
Overvoltage category	II
Degree of pollution	2

Electrical properties

No. of channels	8
Fuse type	Automatic device
Maximum load current	60 A (Complete main circuit)
Maximum current with single arrangement	12 A (per channel)

General

Rated insulation voltage U_i	50 V DC
Rated surge voltage	0.5 kV
Short circuit stability	600 A (conditional according to DIN EN 50178)
Power dissipation	4.9 W (with even load on outputs with In)
Insertion/withdrawal cycles	50
Rated voltage	24 V DC
Rated current I_N	60 A DC (total) 12 A DC (per channel)
Rated voltage	24 V DC
Rated current I_N	1 A DC

Connection data

Maximum load current	60 A (Complete main circuit)
----------------------	------------------------------

Supply X21

Connection method	Push-in connection
Stripping length	18 mm
Conductor cross section flexible min.	0.75 mm ²
Conductor cross section flexible max.	16 mm ²
Conductor cross section solid min.	0.75 mm ²
Conductor cross section solid max.	16 mm ²

Supply X21

Connection method	Push-in connection
Stripping length	10 mm

Potential distributors - CBB TM 08 2X4RC P-PT

2801482

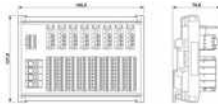
<https://www.phoenixcontact.com/de/produkte/2801482>

Conductor cross section flexible min.	0.2 mm ²
Conductor cross section flexible max.	2.5 mm ²
Conductor cross section solid min.	0.2 mm ²
Conductor cross section solid max.	2.5 mm ²

Supply X21

Connection method	Push-in connection
Stripping length	10 mm
Conductor cross section flexible min.	0.2 mm ²
Conductor cross section flexible max.	2.5 mm ²
Conductor cross section solid min.	0.2 mm ²
Conductor cross section solid max.	2.5 mm ²

Dimensions

Dimensional drawing	
Width	185.5 mm
Width	185.5 mm
Height	127.8 mm
Height	127.8 mm
Depth	70.8 mm
Depth	70.8 mm

Material specifications

Flammability rating according to UL 94	V0
--	----

Mechanical properties

Mechanical data

Open side panel	No
-----------------	----

Environmental and real-life conditions

Ambient conditions

Degree of protection	IP20 (Terminal blocks and fuse holders) IP00 (PCB)
Ambient temperature (operation)	-30 °C ... 60 °C (at In 60 A)
Ambient temperature (storage/transport)	-30 °C ... 80 °C

Standards and regulations

Standards/specifications	DIN EN 50178
--------------------------	--------------

Mounting

Mounting type	DIN rail: 35 mm
---------------	-----------------

Potential distributors - CBB TM 08 2X4RC P-PT



2801482

<https://www.phoenixcontact.com/de/produkte/2801482>

Mounting position	horizontal
-------------------	------------

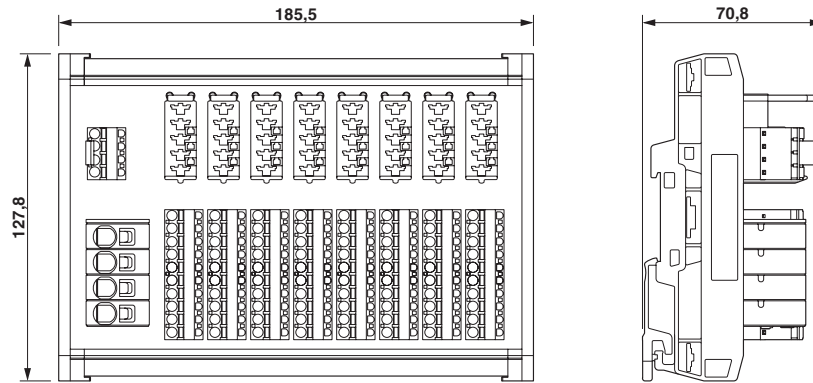
Potential distributors - CBB TM 08 2X4RC P-PT

2801482

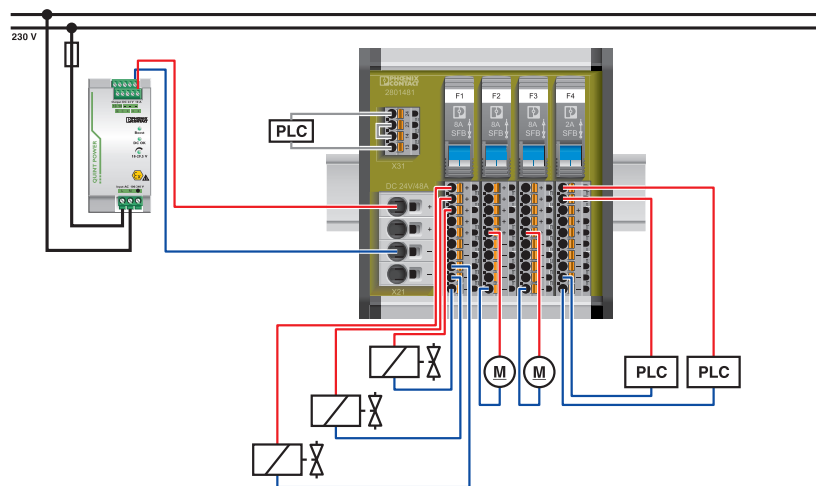
<https://www.phoenixcontact.com/de/produkte/2801482>

Drawings

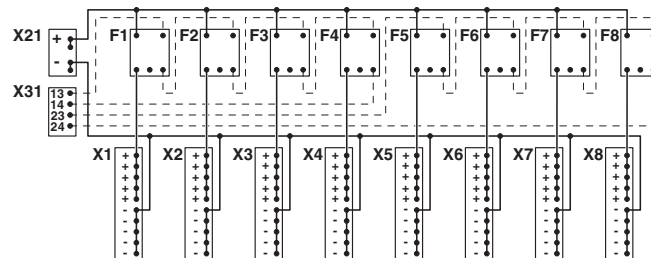
Dimensional drawing



Application drawing



Circuit diagram



Potential distributors - CBB TM 08 2X4RC P-PT



2801482

<https://www.phoenixcontact.com/de/produkte/2801482>

Approvals



EAC

Approval ID: EAC-Zulassung



EAC

Approval ID: RU C-DE.*09.B.00169



EAC

Approval ID: RU C-DE.A*30.B01546

Potential distributors - CBB TM 08 2X4RC P-PT



2801482

<https://www.phoenixcontact.com/de/produkte/2801482>

Classifications

ECLASS

ECLASS-9.0	27379201
ECLASS-10.0.1	27371392
ECLASS-11.0	27371392

ETIM

ETIM 8.0	EC002498
----------	----------

UNSPSC

UNSPSC 21.0	39121100
-------------	----------

Potential distributors - CBB TM 08 2X4RC P-PT



2801482

<https://www.phoenixcontact.com/de/produkte/2801482>

Environmental Product Compliance

China RoHS	Environmentally friendly use period: unlimited = EFUP-e
	No hazardous substances above threshold values

Phoenix Contact 2022 © - all rights reserved
<https://www.phoenixcontact.com>

PHOENIX CONTACT Deutschland GmbH
Flachmarktstraße 8
D-32825 Blomberg
+49 52 35/3-1 20 00
info@phoenixcontact.de