

Electronic housing - UEG 30/1 - 2790871

Please be informed that the data shown in this PDF Document is generated from our Online Catalog. Please find the complete data in the user's documentation. Our General Terms of Use for Downloads are valid (<http://phoenixcontact.com/download>)



Electronic housing, for PCB insertion, fully equipped with 4 screw or tab connections per side

Your advantages

- ✓ Universal P1-UEG... PCBs are available for laboratory samples and small series
- ✓ Cost-effective series production, since the base element and the assembled PCB are soldered by machine
- ✓ Efficient assembly thanks to overlapping housing parts
- ✓ Can be snapped onto standard NS 35/7,5 and NS 35/15 DIN rails
- ✓ Up to 16 connections on two levels
- ✓ Installation of one or two PCBs in the housing

Key Commercial Data

Packing unit	1 pc
Minimum order quantity	10 pc
GTIN	
GTIN	4017918072360
Weight per Piece (excluding packing)	62.920 g
Custom tariff number	85369010
Country of origin	Germany

Technical data

General

Housing type	Complete housing
Housing material	Polyamide (PA 6.6)
Color (RAL)	green

Electronic housing - UEG 30/1 - 2790871

Technical data

Ambient conditions

Ambient temperature (operation)	-40 °C ... 105 °C
---------------------------------	-------------------

Dimensions

Length	79.5 mm
Height	70 mm
Width	30 mm
Pitch	5 mm
Depth	79.5 mm

Technical data

Power dissipation without gap	4 W
Power dissipation with 20 mm gap	7.2 W
Number of positions	8

Connection data

Conductor cross section solid min.	0.2 mm ²
Conductor cross section solid max.	4 mm ²
Conductor cross section flexible min.	0.2 mm ²
Conductor cross section flexible max.	2.5 mm ²
Conductor cross section AWG min.	24
Conductor cross section AWG max.	12
Stripping length	8 mm

Standards and Regulations

Flammability rating according to UL 94	V2
--	----

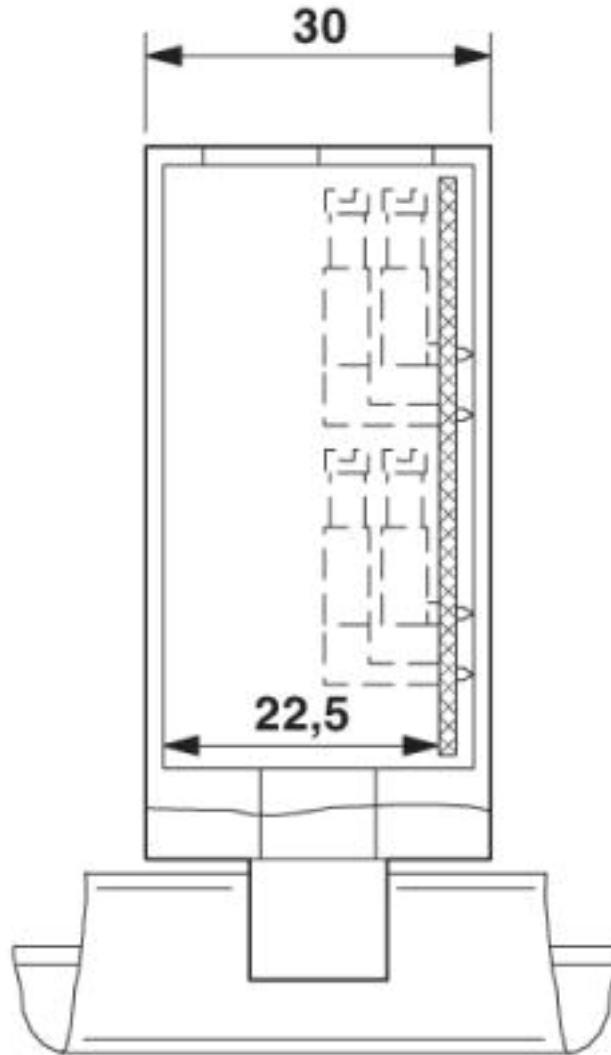
Environmental Product Compliance

REACH SVHC	Lead 7439-92-1
China RoHS	Environmentally Friendly Use Period = 50 years
	For details about hazardous substances go to tab "Downloads", Category "Manufacturer's declaration"

Drawings

Electronic housing - UEG 30/1 - 2790871

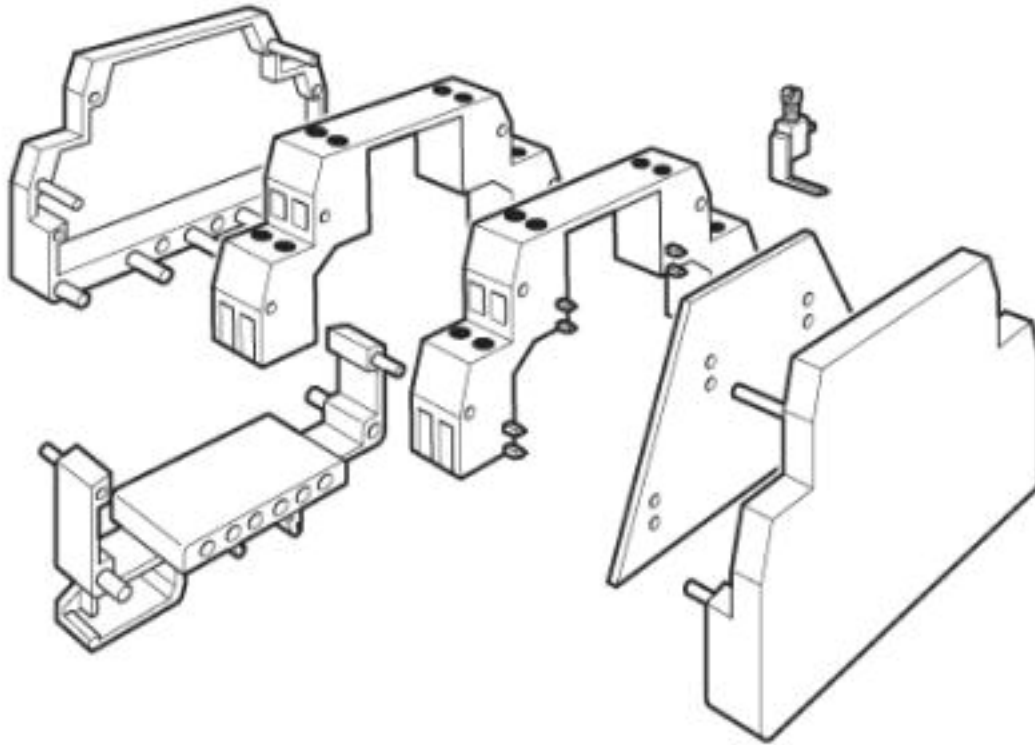
Dimensional drawing



UEG 30/1, enlarged internal area, with 1 PCB, up to max. 8 positions

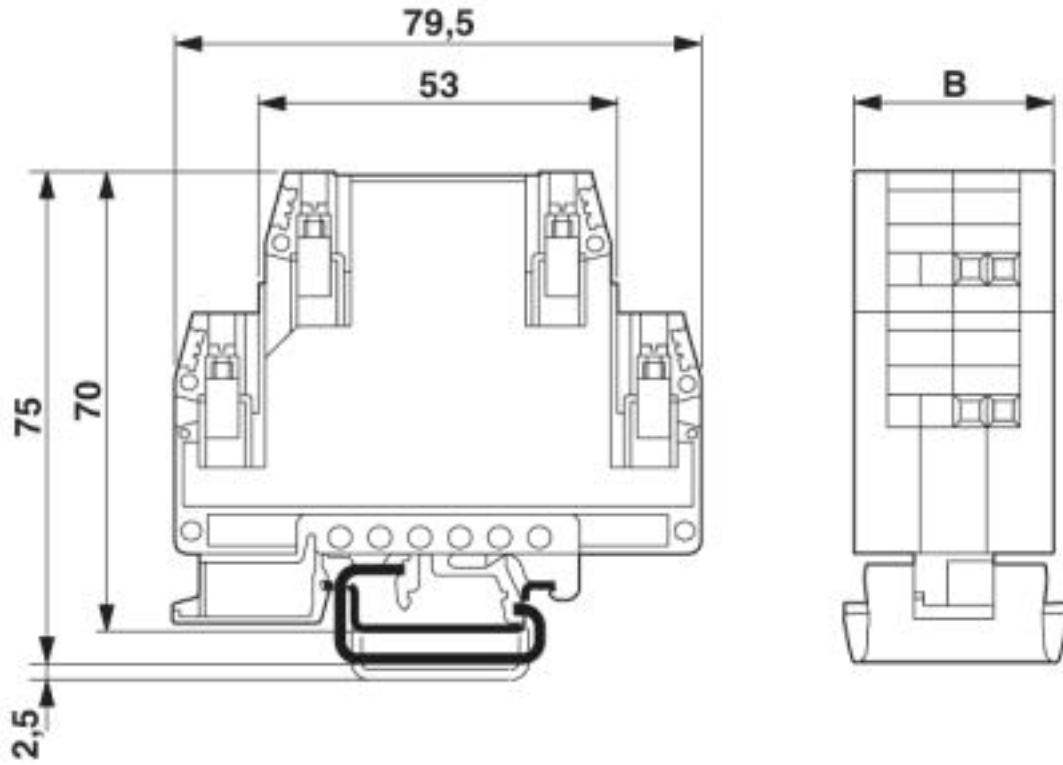
Electronic housing - UEG 30/1 - 2790871

Exploded view



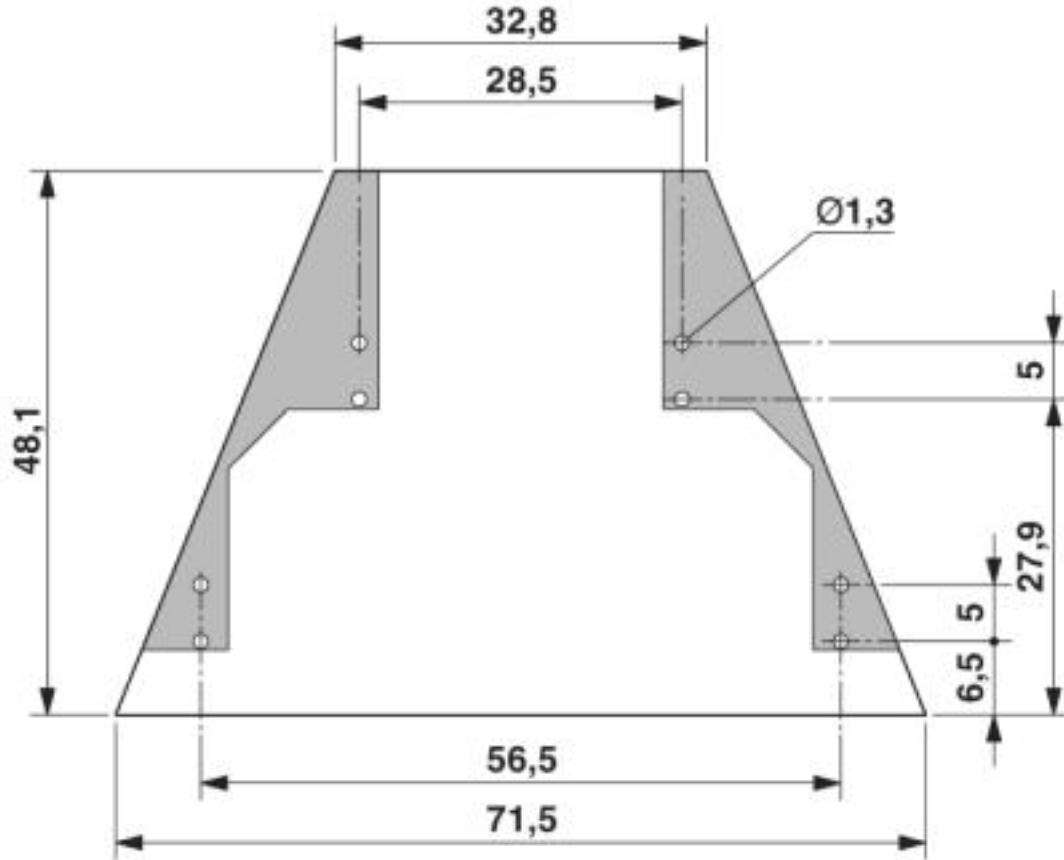
Electronic housing - UEG 30/1 - 2790871

Dimensional drawing



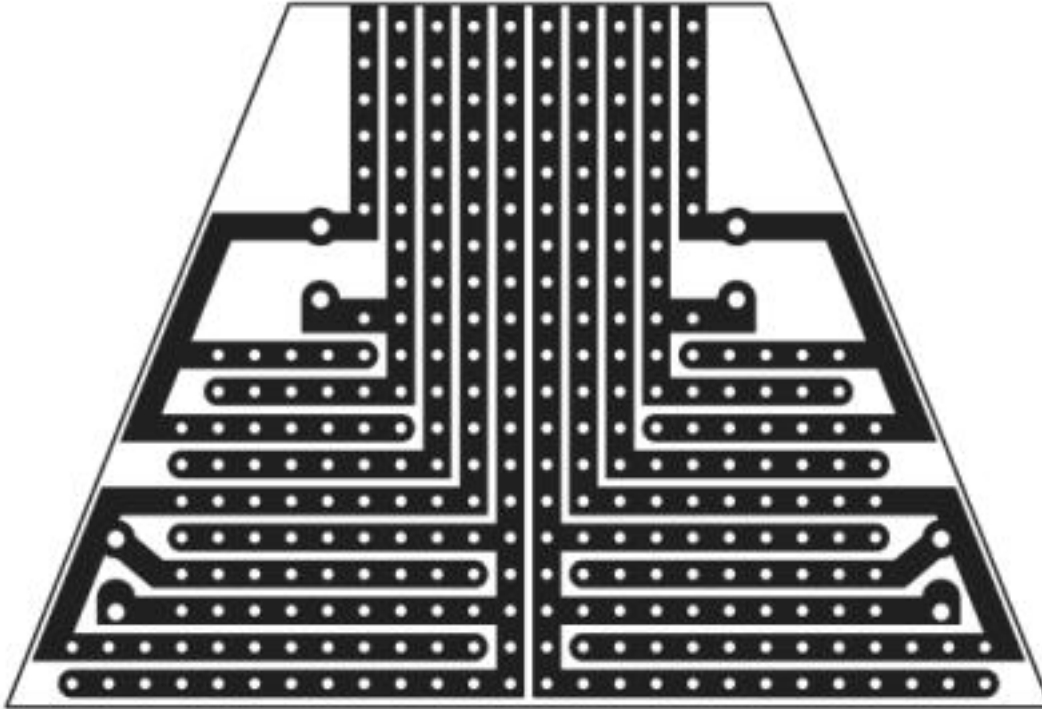
Electronic housing - UEG 30/1 - 2790871

Dimensional drawing



Electronic housing - UEG 30/1 - 2790871

Schematic diagram



Classifications

eCl@ss

eCl@ss 10.0.1	27182702
eCl@ss 4.0	27180400
eCl@ss 4.1	27180400
eCl@ss 5.0	27180500
eCl@ss 5.1	27180500
eCl@ss 6.0	27180800
eCl@ss 7.0	27182702
eCl@ss 8.0	27182702
eCl@ss 9.0	27182702

ETIM

ETIM 2.0	EC001031
ETIM 3.0	EC001031
ETIM 4.0	EC001031
ETIM 5.0	EC001031
ETIM 6.0	EC001031

Electronic housing - UEG 30/1 - 2790871

Classifications

ETIM

ETIM 7.0	EC001031
----------	----------

UNSPSC

UNSPSC 6.01	31261501
UNSPSC 7.0901	31261501
UNSPSC 11	31261501
UNSPSC 12.01	31261501
UNSPSC 13.2	31261501
UNSPSC 18.0	31261501
UNSPSC 19.0	31261501
UNSPSC 20.0	31261501
UNSPSC 21.0	31261501

Approvals


Approvals


Approvals

EAC / UL Recognized / cULus Recognized

Ex Approvals

Approval details

EAC		B.01687
-----	---	---------

UL Recognized		http://database.ul.com/cgi-bin/XYV/template/LISEXT/1FRAME/index.htm	FILE E 240868
---------------	---	---	---------------

cULus Recognized		http://database.ul.com/cgi-bin/XYV/template/LISEXT/1FRAME/index.htm	E60425-19770427
------------------	---	---	-----------------

	B	D
Nominal voltage UN	300 V	300 V

Electronic housing - UEG 30/1 - 2790871

Approvals

	B	D
Nominal current IN	10 A	10 A
mm ² /AWG/kcmil	30-12	30-12

Accessories

Accessories

Bridge

Wire bridge - DB 50- 90 GY - 2820929

