

Double-level terminal block - UKK 3-MSTB-5,08 AU 32L



2770969

<https://www.phoenixcontact.com/de/produkte/2770969>

Please be informed that the data shown in this PDF document is generated from our Online Catalog. Please find the complete data in the user documentation. Our General Terms of Use for Downloads are valid.



Double-level terminal block, 32-pos. blocked, nom. voltage: 250 V, nominal current: 10 A, connection method: Screw/plug-in connection, 1st and 2nd level connection left, cross section: 0.2 mm² - 4 mm², mounting type: NS 35/7,5, NS 35/15, NS 32, color: gray

Commercial Data

Item number	2770969
Packing unit	5 pc
Minimum order quantity	1 pc
Sales Key	A1 - Reihenklemmen
Product Key	BE1241
GTIN	4017918243357
Weight per Piece (including packing)	145,82 g
Weight per Piece (excluding packing)	116,4 g
Customs tariff number	85369010
Country of origin	PL

Double-level terminal block - UKK 3-MSTB-5,08 AU 32L



2770969

<https://www.phoenixcontact.com/de/produkte/2770969>

Technical Data

Product properties

Product type	Hybrid terminal block
Number of positions	32
Pitch	5.08 mm
Number of connections	128
Number of rows	2
Potentials	64

Insulation characteristics

Overvoltage category	III
Degree of pollution	3

Electrical properties

Rated surge voltage	4 kV
Maximum power dissipation for nominal condition	0 W

Connection data

1st and 2nd level connection left

Screw thread	M3
Tightening torque	0.5 ... 0.6 Nm
Stripping length	8 mm
Internal cylindrical gage	A3
Conductor cross section solid	0.2 mm ² ... 4 mm ²
Cross section AWG	24 ... 12
Conductor cross section flexible	0.2 mm ² ... 2.5 mm ²
Conductor cross section, flexible [AWG]	24 ... 14
Flexible conductor cross section flexible (ferrule, w/o plastic sleeve)	0.25 mm ² ... 2.5 mm ²
Flexible conductor cross section (ferrule with plastic sleeve)	0.25 mm ² ... 1.5 mm ²
2 conductors with same cross section, solid	0.2 mm ² ... 1.5 mm ²
2 conductors with same cross section, flexible	0.2 mm ² ... 1 mm ²
2 conductors with same cross section, flexible, with ferrule without plastic sleeve	0.25 mm ² ... 0.5 mm ²
2 conductors with the same cross section, flexible, with TWIN ferrule with plastic sleeve	0.5 mm ² ... 1 mm ²
Nominal current	10 A
Maximum load current	12 A (with 4 mm ² conductor cross section)
Nominal voltage	250 V

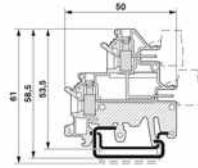
Dimensions

Double-level terminal block - UKK 3-MSTB-5,08 AU 32L



2770969

<https://www.phoenixcontact.com/de/produkte/2770969>

Dimensional drawing	
Width	88.9 mm
End cover width	2.5 mm
Height NS 35/7,5	53.5 mm
Length	50 mm
Pitch	5.08 mm

Material specifications

Color	gray
Flammability rating according to UL 94	V2
Insulating material group	I
Insulating material	PA
Contact surface	Gold Au

Mechanical properties

Mechanical data

Open side panel	Yes
-----------------	-----

Environmental and real-life conditions

Ambient conditions

Ambient temperature (operation)	-60 °C ... 105 °C (max. short-term operating temperature RTI Elec.)
Ambient temperature (storage/transport)	-25 °C ... 60 °C (for a short time, not exceeding 24 h, -60 °C to +70 °C)
Ambient temperature (assembly)	-5 °C ... 70 °C
Ambient temperature (actuation)	-5 °C ... 70 °C
Permissible humidity (storage/transport)	30 % ... 70 %

Mounting

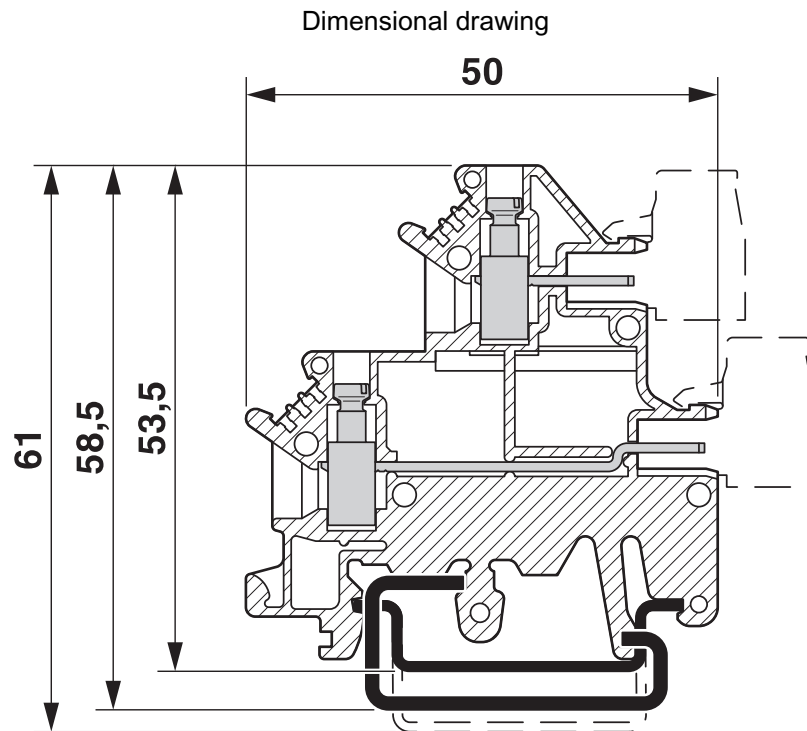
Mounting type	NS 35/7,5
	NS 35/15
	NS 32

Double-level terminal block - UKK 3-MSTB-5,08 AU 32L

2770969

<https://www.phoenixcontact.com/de/produkte/2770969>

Drawings



Double-level terminal block - UKK 3-MSTB-5,08 AU 32L



2770969

<https://www.phoenixcontact.com/de/produkte/2770969>

Approvals



EAC

Approval ID: RU C-DE.BL08.B.00534

Double-level terminal block - UKK 3-MSTB-5,08 AU 32L



2770969

<https://www.phoenixcontact.com/de/produkte/2770969>

Classifications

ECLASS

ECLASS-9.0	27141120
ECLASS-10.0.1	27141120
ECLASS-11.0	27141120

ETIM

ETIM 8.0	EC000897
----------	----------

UNSPSC

UNSPSC 21.0	39121400
-------------	----------

Double-level terminal block - UKK 3-MSTB-5,08 AU 32L



2770969

<https://www.phoenixcontact.com/de/produkte/2770969>

Environmental Product Compliance

China RoHS	Environmentally friendly use period: unlimited = EFUP-e No hazardous substances above threshold values
------------	---

Phoenix Contact 2022 © - all rights reserved
<https://www.phoenixcontact.com>

PHOENIX CONTACT Deutschland GmbH
Flachmarktstraße 8
D-32825 Blomberg
+49 52 35/3-1 20 00
info@phoenixcontact.de