

Upper part of housing - EG 45-AE/ABS GN - 2764409

Please be informed that the data shown in this PDF Document is generated from our Online Catalog. Please find the complete data in the user's documentation. Our General Terms of Use for Downloads are valid (<http://phoenixcontact.com/download>)

Housing cover, for connection on one side



The figure shows a fully mounted version of the electronic housing

Your advantages

- ✓ Tool-free mounting
- ✓ Practical and easy-to-wire conductor connection using extra finely stranded sturdy screw terminal blocks up to 2.5 mm²
- ✓ Optimum accommodation of electronic components with graded pitches with a design width of 22.5 mm, 45 mm, 67.5 mm, and 90 mm
- ✓ Fast snap-on mounting on symmetrical DIN rails according to EN 60715
- ✓ Functional and industry-oriented housing technology
- ✓ Date of manufacture and material and part identification embossed on the housing (recyclability)
- ✓ Shock and contamination-proof accommodation of electronic components (IP40 housing, IP20 terminal blocks)

Key Commercial Data

Packing unit	1 pc
Minimum order quantity	10 pc
GTIN	
GTIN	4017918065997
Weight per Piece (excluding packing)	15.580 g
Custom tariff number	85389099
Country of origin	Poland

Technical data

General

Housing type	Component housing
--------------	-------------------

Upper part of housing - EG 45-AE/ABS GN - 2764409

Technical data

General

Housing material	Acryl butadiene styrene (ABS)
Color (RAL)	green

Ambient conditions

Ambient temperature (operation)	80 °C
---------------------------------	-------

Dimensions

Length	75 mm
Height	17.5 mm
Width	45 mm
Depth	75 mm

Technical data

Number of positions	16
---------------------	----

Standards and Regulations

Flammability rating according to UL 94	HB
--	----

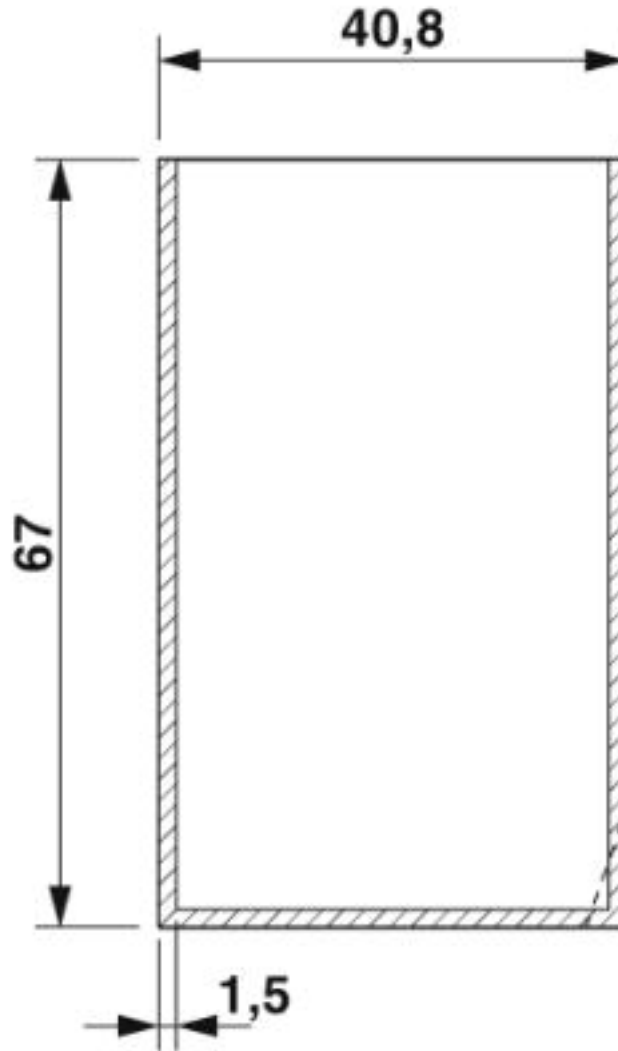
Environmental Product Compliance

China RoHS	Environmentally friendly use period: unlimited = EFUP-e
	No hazardous substances above threshold values

Drawings

Upper part of housing - EG 45-AE/ABS GN - 2764409

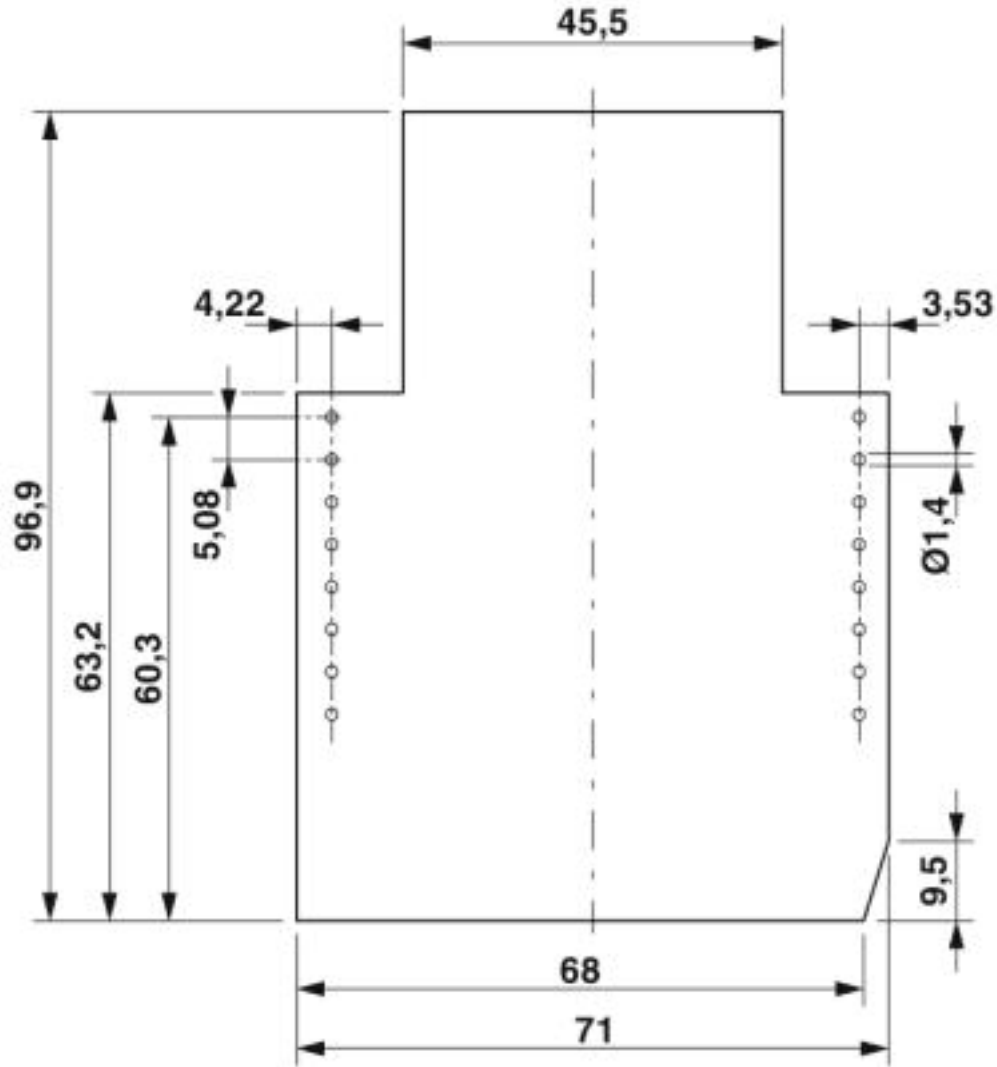
Dimensional drawing



valid for PCB 1; 3; 5 and 6, see explosion drawing

Upper part of housing - EG 45-AE/ABS GN - 2764409

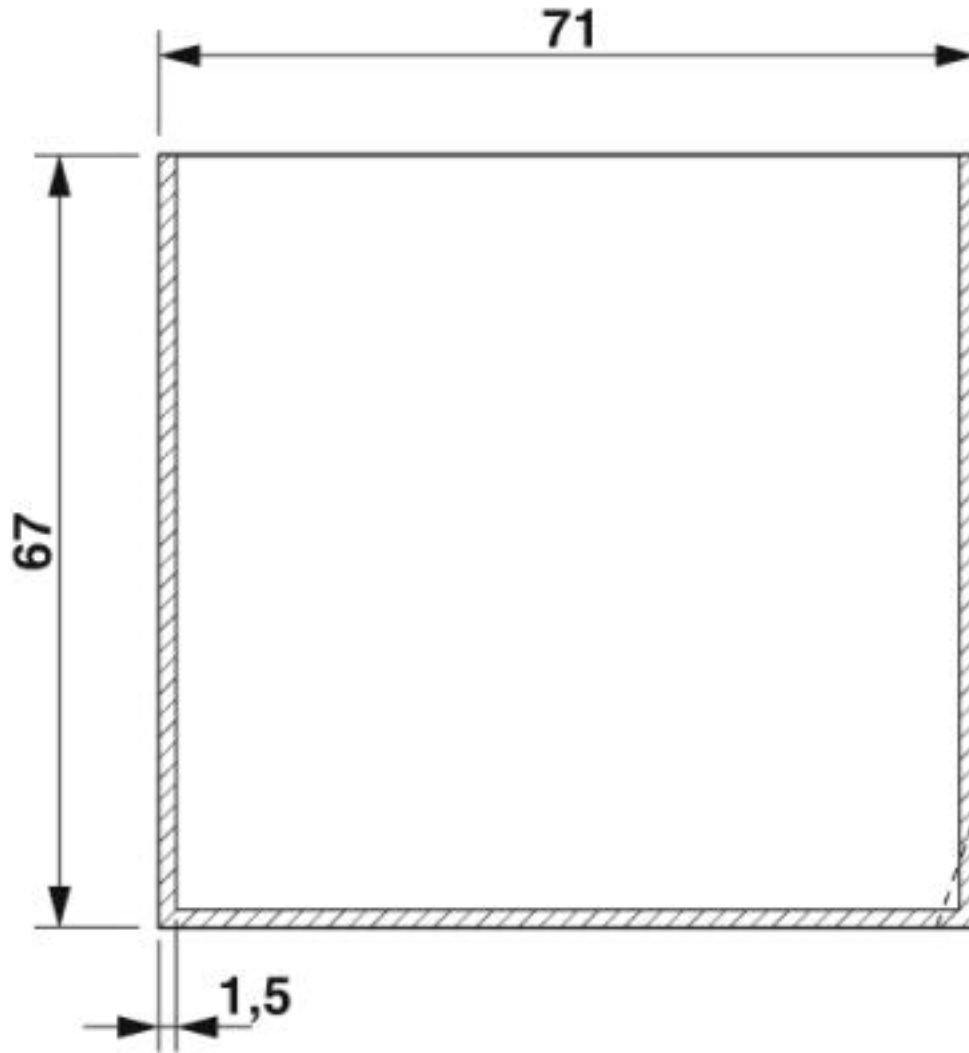
Dimensional drawing



Component mounting side, if the double-level upper part is used

Upper part of housing - EG 45-AE/ABS GN - 2764409

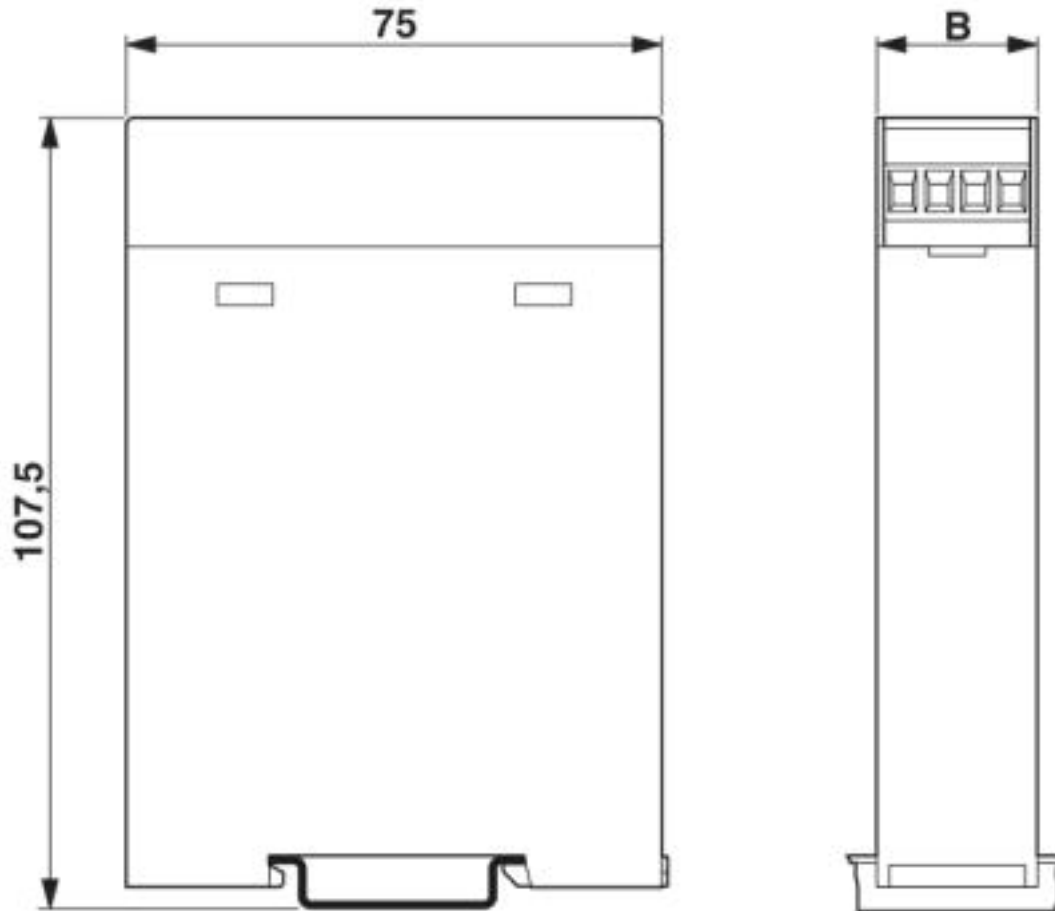
Dimensional drawing



valid for PCB 7 and 12, see explosion drawing

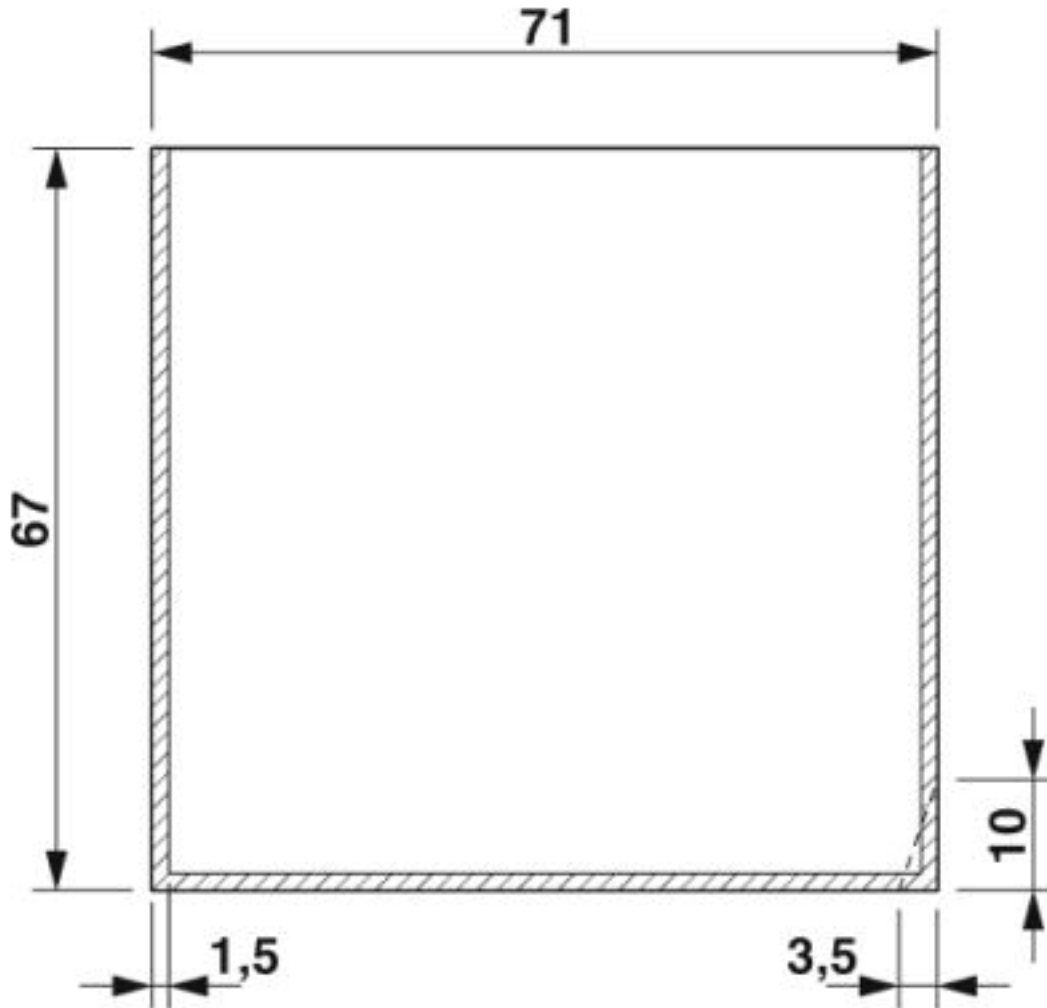
Upper part of housing - EG 45-AE/ABS GN - 2764409

Dimensional drawing



Upper part of housing - EG 45-AE/ABS GN - 2764409

Dimensional drawing



valid for PCB 10, see explosion drawing

Classifications

eCl@ss

eCl@ss 10.0.1	27182702
eCl@ss 4.0	27180400
eCl@ss 4.1	27180400
eCl@ss 5.0	27180500
eCl@ss 5.1	27180500
eCl@ss 6.0	27180800

Upper part of housing - EG 45-AE/ABS GN - 2764409

Classifications

eCl@ss

eCl@ss 7.0	27182702
eCl@ss 8.0	27182702
eCl@ss 9.0	27182702

ETIM

ETIM 2.0	EC001031
ETIM 3.0	EC001031
ETIM 4.0	EC001031
ETIM 5.0	EC001031
ETIM 6.0	EC001031
ETIM 7.0	EC001031

UNSPSC

UNSPSC 6.01	31261501
UNSPSC 7.0901	31261501
UNSPSC 11	31261501
UNSPSC 12.01	31261501
UNSPSC 13.2	31261501
UNSPSC 18.0	31261501
UNSPSC 19.0	31261501
UNSPSC 20.0	31261501
UNSPSC 21.0	31261501

Approvals

Approvals

Approvals

UL Recognized

Ex Approvals

Approval details

UL Recognized		http://database.ul.com/cgi-bin/XYV/template/LISEXT/1FRAME/index.htm	FILE E 240868
---------------	--	---	---------------

