

# Mounting base housing - EG 45-GMFP/PC GY - 2735386

Please be informed that the data shown in this PDF Document is generated from our Online Catalog. Please find the complete data in the user's documentation. Our General Terms of Use for Downloads are valid (<http://phoenixcontact.com/download>)



Housing base, with metal foot catch and test opening with side cover

The figure shows fully mounted versions of the electronic housing, in green

## Key Commercial Data

Packing unit	1 pc
Minimum order quantity	10 pc
GTIN	4 017918 572167
GTIN	4017918572167
Weight per Piece (excluding packing)	62.000 g
Custom tariff number	85389099
Country of origin	Poland

## Technical data

### Standards and Regulations

Flammability rating according to UL 94	V0
--	----

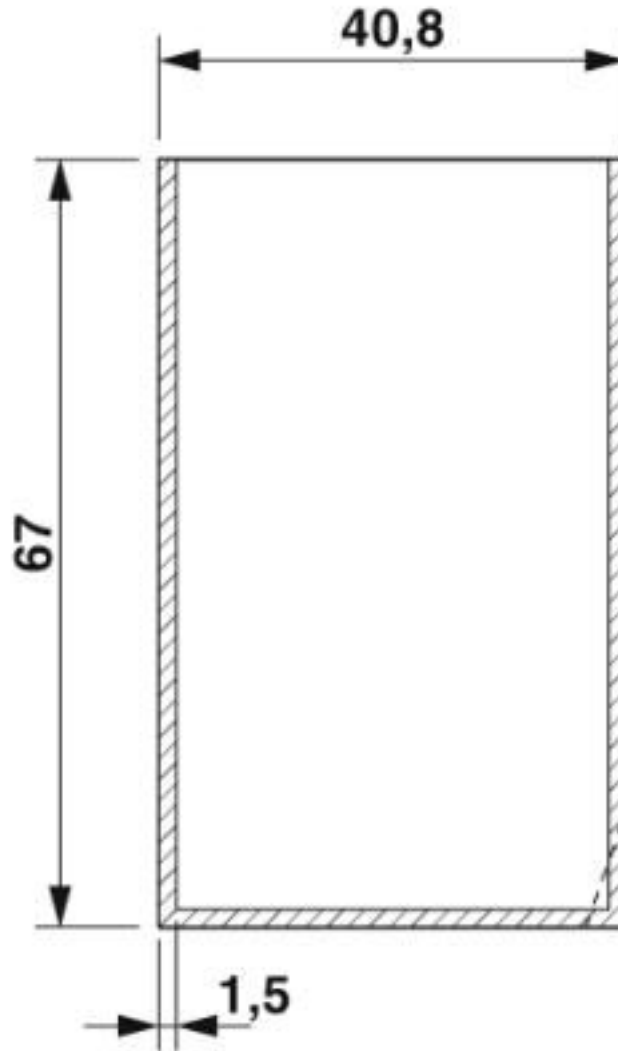
### Environmental Product Compliance

China RoHS	Environmentally friendly use period: unlimited = EFUP-e
	No hazardous substances above threshold values

## Drawings

## Mounting base housing - EG 45-GMFP/PC GY - 2735386

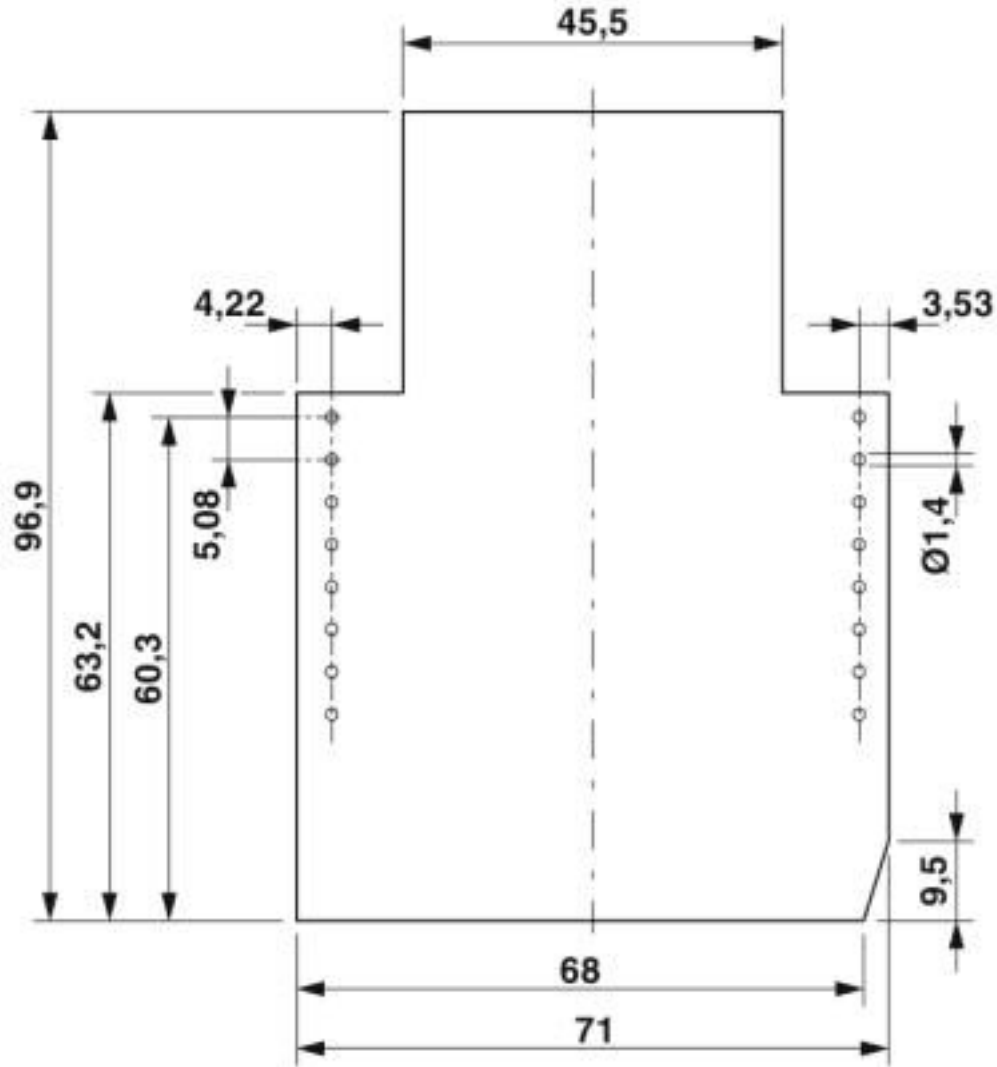
Dimensional drawing



valid for PCB 1; 3; 5 and 6, see explosion drawing

# Mounting base housing - EG 45-GMFP/PC GY - 2735386

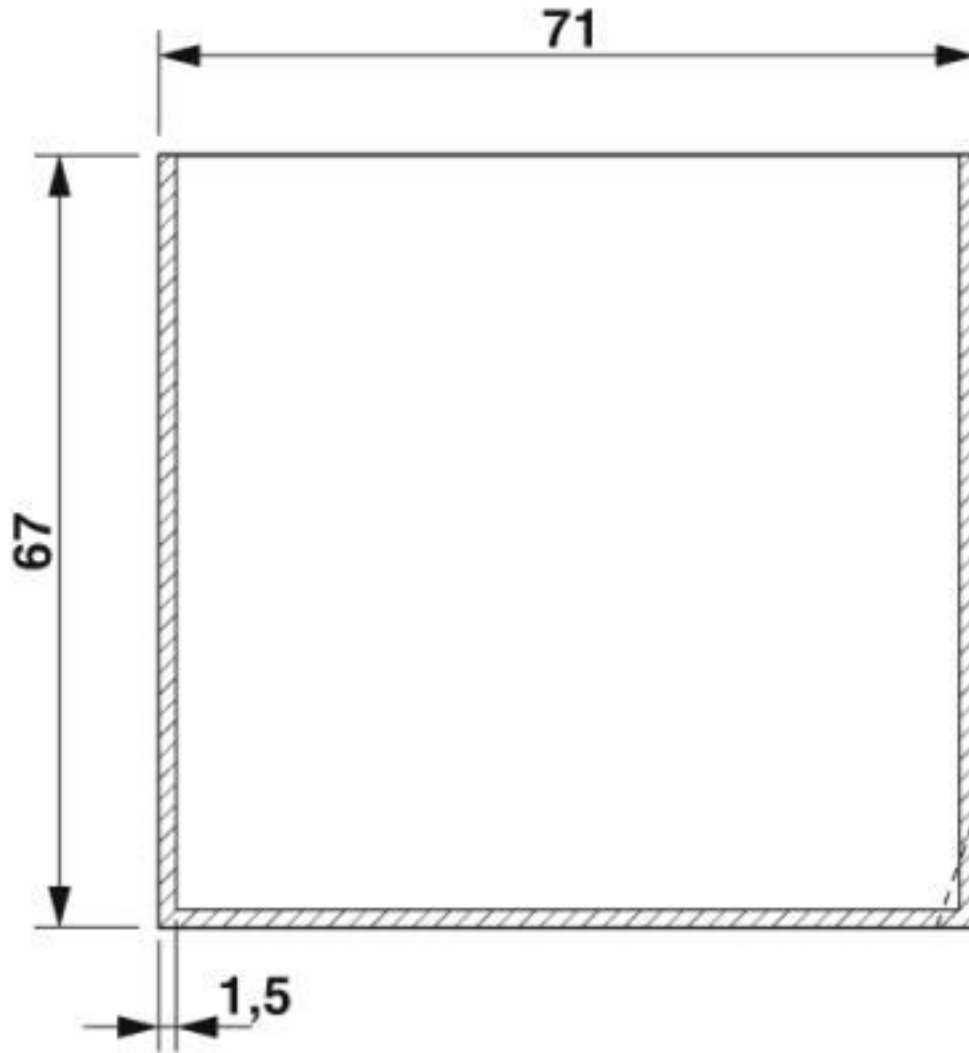
Dimensional drawing



Component mounting side, if the double-level upper part is used

# Mounting base housing - EG 45-GMFP/PC GY - 2735386

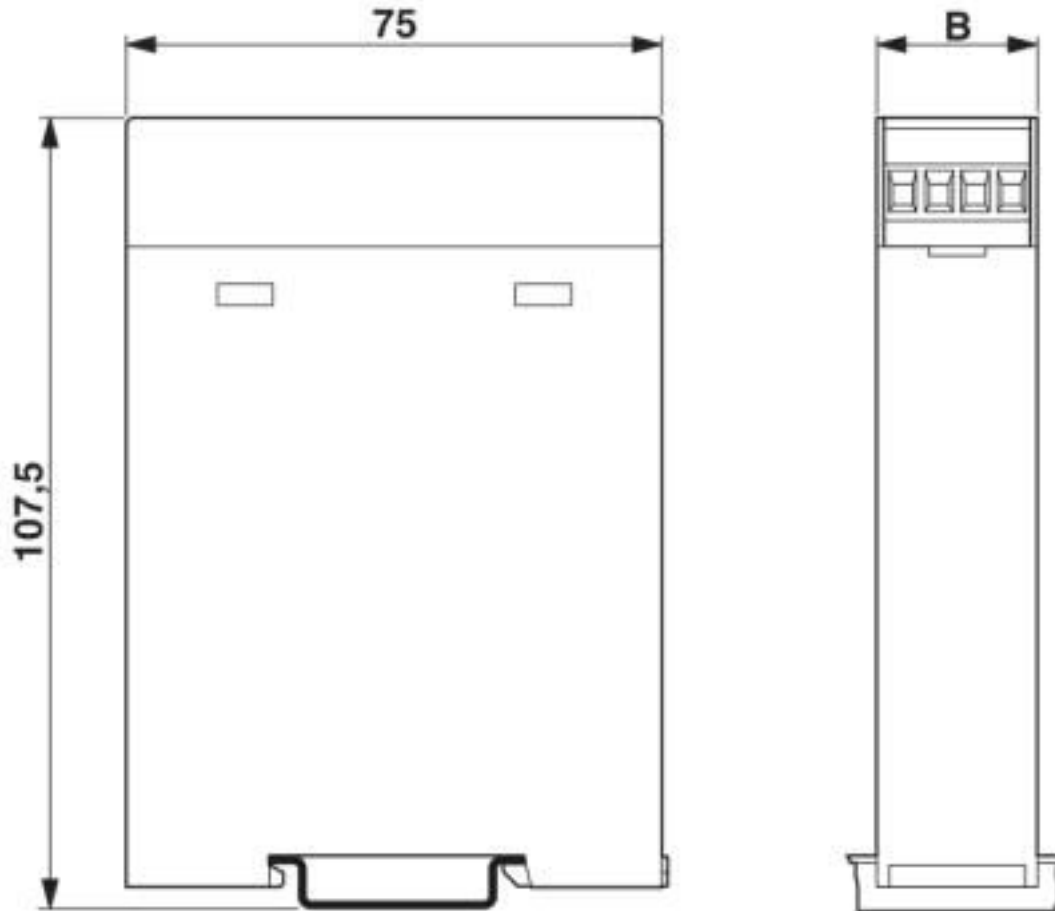
Dimensional drawing



valid for PCB 7 and 12, see explosion drawing

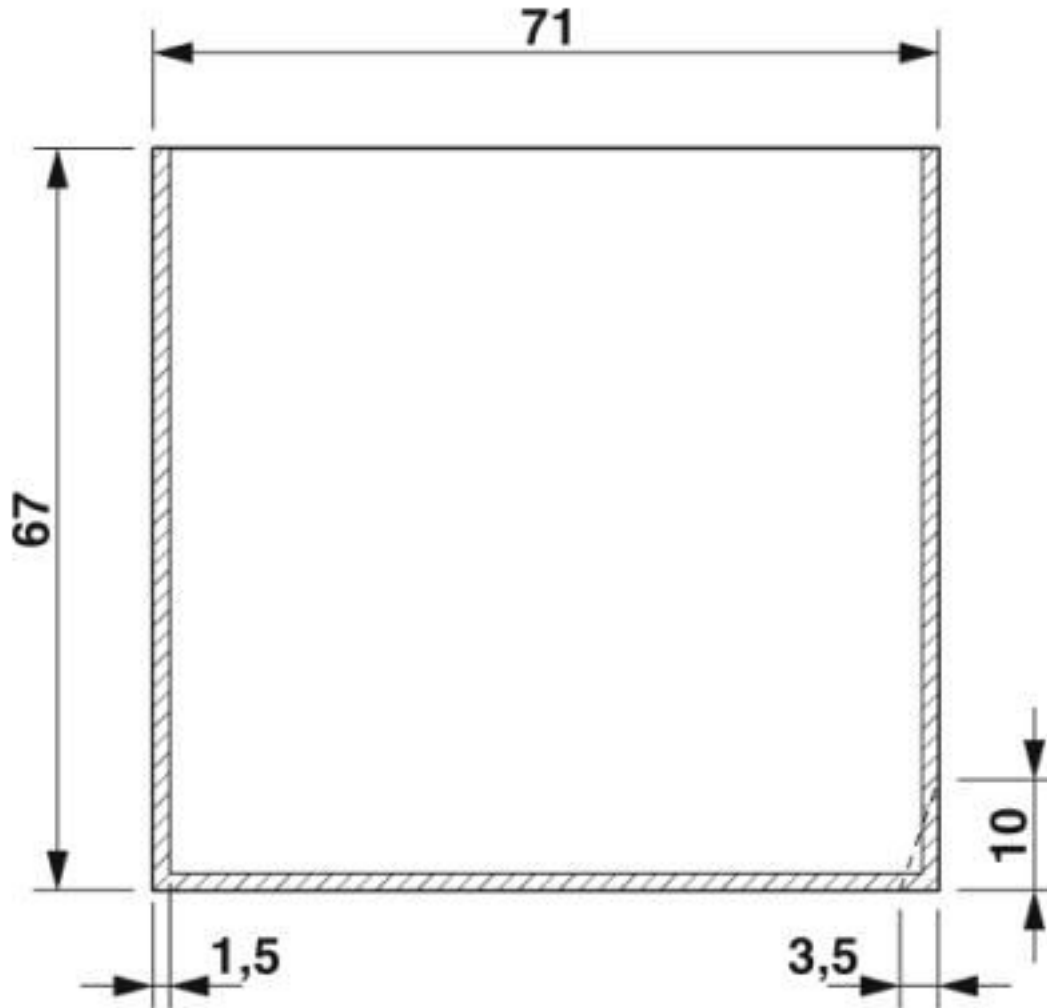
# Mounting base housing - EG 45-GMFP/PC GY - 2735386

Dimensional drawing



# Mounting base housing - EG 45-GMFP/PC GY - 2735386

Dimensional drawing



valid for PCB 10, see explosion drawing

## Classifications

eCl@ss

eCl@ss 10.0.1	27182702
eCl@ss 4.0	27180400
eCl@ss 4.1	27180400
eCl@ss 5.0	27180500
eCl@ss 5.1	27180500
eCl@ss 6.0	27180800

# Mounting base housing - EG 45-GMFP/PC GY - 2735386

## Classifications

### eCl@ss

eCl@ss 7.0	27182702
eCl@ss 8.0	27182702
eCl@ss 9.0	27182702

### ETIM

ETIM 2.0	EC001031
ETIM 3.0	EC001031
ETIM 4.0	EC001031
ETIM 5.0	EC001031
ETIM 6.0	EC001031
ETIM 7.0	EC001031

### UNSPSC

UNSPSC 6.01	31261501
UNSPSC 7.0901	31261501
UNSPSC 11	31261501
UNSPSC 12.01	31261501
UNSPSC 13.2	31261501
UNSPSC 18.0	31261501
UNSPSC 19.0	31261501
UNSPSC 20.0	31261501
UNSPSC 21.0	31261501

## Approvals

### Approvals

Approvals

UL Recognized

Ex Approvals

### Approval details

UL Recognized		<a href="http://database.ul.com/cgi-bin/XYV/template/LISEXT/1FRAME/index.htm">http://database.ul.com/cgi-bin/XYV/template/LISEXT/1FRAME/index.htm</a>	FILE E 240868
---------------	--	---	---------------

## Mounting base housing - EG 45-GMFP/PC GY - 2735386

### Accessories

#### Accessories

#### Coding element

Coding section - CR-MSTB - 1734401

Coding section, inserted into the recess in the header or the inverted plug, red insulating material



Coding profile - CP-MSTB - 1734634

Coding profile, is inserted into the slot on the plug or inverted header, red insulating material



Coding section - CR-MSTB - 1734401

Coding section, inserted into the recess in the header or the inverted plug, red insulating material



Coding profile - CP-MSTB - 1734634

Coding profile, is inserted into the slot on the plug or inverted header, red insulating material



### PCB headers

## Mounting base housing - EG 45-GMFP/PC GY - 2735386

### Accessories

Feed-through header - MSTBO 2,5/ 8-GL-5,08 GY - 1926772



PCB headers, nominal current: 8 A, rated voltage (III/2): 320 V, nominal cross section: 2.5 mm<sup>2</sup>, number of positions: 8, pitch: 5.08 mm, color: gray, contact surface: Tin, mounting: Wave soldering, pin layout: Linear pinning, solder pin [P]: 3.2 mm

---

### PCB plug

Printed-circuit board connector - MVSTBW 2,5/ 8-ST GY - 1825996



PCB connector, nominal current: 12 A, rated voltage (III/2): 320 V, nominal cross section: 2.5 mm<sup>2</sup>, number of positions: 8, pitch: 5 mm, connection method: Screw connection with tension sleeve, color: gray, contact surface: Tin

---

Printed-circuit board connector - MVSTBW 2,5/ 8-ST-5,08 GY - 1829293



PCB connector, nominal current: 12 A, rated voltage (III/2): 320 V, nominal cross section: 2.5 mm<sup>2</sup>, number of positions: 8, pitch: 5.08 mm, connection method: Screw connection with tension sleeve, color: gray, contact surface: Tin

---

Printed-circuit board connector - MVSTBW 2,5/ 8-STEH GY - 1863628



PCB connector, nominal current: 12 A, rated voltage (III/2): 320 V, nominal cross section: 2.5 mm<sup>2</sup>, number of positions: 8, pitch: 5 mm, connection method: Screw connection with tension sleeve, color: gray, contact surface: Tin

---

Printed-circuit board connector - FKCT 2,5/ 8-ST - 1909278



PCB connector, nominal current: 12 A, rated voltage (III/2): 320 V, nominal cross section: 2.5 mm<sup>2</sup>, number of positions: 8, pitch: 5 mm, connection method: Push-in spring connection, color: green, contact surface: Tin

## Mounting base housing - EG 45-GMFP/PC GY - 2735386

### Accessories

#### Printed circuit board terminal

##### PCB terminal block base - MKKDSH 3/ 2 - 1721045



PCB terminal block, nominal current: 24 A, rated voltage (III/2): 400 V, nominal cross section: 2.5 mm<sup>2</sup>, pitch: 5 mm, number of positions: 2, connection method: Screw connection with tension sleeve, mounting: Wave soldering, conductor/PCB connection direction: 0 °, color: green, Pin layout: Linear pinning, Solder pin [P]: 5 mm. The article can be aligned to create different nos. of positions!

##### PCB terminal block - MKKDSH 3/ 2 GY - 1932478

PCB terminal block, pitch: 5 mm, number of positions: 2, color: gray, Pin layout: Linear pinning, Solder pin [P]: 5 mm. The article can be aligned to create different nos. of positions!

##### PCB terminal block - MKKDSH 3/ 3 - 1721346



PCB terminal block, nominal current: 24 A, rated voltage (III/2): 400 V, nominal cross section: 2.5 mm<sup>2</sup>, pitch: 5 mm, number of positions: 3, connection method: Screw connection with tension sleeve, mounting: Wave soldering, conductor/PCB connection direction: 0 °, color: green, Pin layout: Linear pinning, Solder pin [P]: 5 mm. The article can be aligned to create different nos. of positions!

##### PCB terminal block base - MKKDSH 3/ 8 - 1703283



PCB terminal block, nominal current: 24 A, rated voltage (III/2): 400 V, nominal cross section: 2.5 mm<sup>2</sup>, pitch: 5 mm, number of positions: 8, connection method: Screw connection with tension sleeve, mounting: Wave soldering, conductor/PCB connection direction: 0 °, color: green, Pin layout: Linear pinning, Solder pin [P]: 5 mm. The article can be aligned to create different nos. of positions!

### Necessary add-on products

#### Upper part of housing - EG 45-AE/PC GN - 2764865



Housing cover, for connection on one side

## Mounting base housing - EG 45-GMFP/PC GY - 2735386

### Accessories

Upper part of housing - EG 45-A/PC GN - 2764878



Housing cover,for connection on both sides

---

Upper part of housing - EG 45-AG/PC GN - 2764881



Housing cover, closed

---

Upper part of housing - EG 45-A/PC GY - 2853129



Housing cover,for connection on both sides

---

---