

Upper part of housing - ME 22,5 OT-3MSTBO SET



2707767

<https://www.phoenixcontact.com/pc/products/2707767>

Please be informed that the data shown in this PDF document is generated from our Online Catalog. Please find the complete data in the user documentation. Our General Terms of Use for Downloads are valid.

DIN rail housing, Set comprised of upper housing part, 6 PCB headers (4-pos.), and 6 PCB terminal blocks with screw connection (4-pos.), width: 22.6 mm, height: 102 mm, depth: 60.15 mm, color: green (6021)



Your advantages

- Tool-free mounting
- Available in overall widths from 12.5 mm to 90 mm, modular extension possible
- Flammability rating V0 in accordance with UL 94
- Variety of connection technology
- Can be mounted on the DIN rail
- With integrated or DIN-rail-mountable bus connector as an option

Commercial Data

Item number	2707767
Packing unit	1 pc
Minimum order quantity	1 pc
Product Key	ACHAAD
Catalog Page	Page 671 (C-1-2013)
GTIN	4017918905040
Weight per Piece (including packing)	73.4 g
Weight per Piece (excluding packing)	68.4 g
Customs tariff number	85366990
Country of origin	DE

Upper part of housing - ME 22,5 OT-3MSTBO SET



2707767

<https://www.phoenixcontact.com/pc/products/2707767>

Set consists of

PCB connector

PCB connector - MSTBT 2,5/ 4-ST - 1779851

<https://www.phoenixcontact.com/pc/products/1779851>



PCB connector, nominal cross section: 2.5 mm², color: green, nominal current: 12 A, rated voltage (III/2): 320 V, type of contact: Female connector, number of potentials: 4, number of rows: 1, number of positions: 4, number of connections: 4, product range: MSTBT 2,5/..-ST, pitch: 5 mm, connection method: Screw connection with tension sleeve, screw head form: L Slotted, conductor/PCB connection direction: 0 °, locking clip: - Locking clip, plug-in system: COMBICON MSTB 2,5, locking: without, mounting: without, type of packaging: packed in cardboard

PCB header

PCB header - MSTBO 2,5/ 4-G1L - 1861060

<https://www.phoenixcontact.com/pc/products/1861060>



PCB headers, nominal cross section: 2.5 mm², color: green, nominal current: 12 A, rated voltage (III/2): 320 V, contact surface: Tin, type of contact: Male connector, number of potentials: 4, number of rows: 1, number of positions: 4, number of connections: 4, product range: MSTBO 2,5/..-G1L, pitch: 5 mm, mounting: Wave soldering, pin layout: Linear pinning, solder pin [P]: 3.5 mm, number of solder pins per potential: 1, locking: without, type of packaging: packed in cardboard, Product with pin output on left side

Upper part of housing - ME 22,5 OT-3MSTBO SET

2707767

<https://www.phoenixcontact.com/pc/products/2707767>

PCB header

PCB header - MSTBO 2,5/ 4-G1R - 1861073

<https://www.phoenixcontact.com/pc/products/1861073>

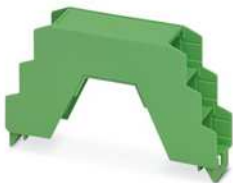


PCB headers, nominal cross section: 2.5 mm², color: green, nominal current: 12 A, rated voltage (III/2): 320 V, contact surface: Tin, type of contact: Male connector, number of potentials: 4, number of rows: 1, number of positions: 4, number of connections: 4, product range: MSTBO 2,5/...-G1R, pitch: 5 mm, mounting: Wave soldering, pin layout: Linear pinning, solder pin [P]: 3.5 mm, number of solder pins per potential: 1, locking: without, type of packaging: packed in cardboard, Product with pin output on right side

Upper part of housing

Upper part of housing - ME 22,5 OT-3MSTBO GN - 2735962

<https://www.phoenixcontact.com/pc/products/2735962>



DIN rail housing, Upper housing part for connectors with header, width: 22.6 mm, height: 102 mm, depth: 60.15 mm, color: green (6021)

Upper part of housing - ME 22,5 OT-3MSTBO SET

2707767

<https://www.phoenixcontact.com/pc/products/2707767>

Technical Data


Notes

Assembly instruction:	Refer to the data sheet for the range in the download area.
-----------------------	---

Product properties

Product type	Upper housing part
Max. number of positions	24 (pitch: 5 mm)))
Number of rows	3
Type	Set comprised of upper housing part, 6 PCB headers (4-pos.), and 6 PCB terminal blocks with screw connection (4-pos.)
Housing type	DIN rail housing
Ventilation openings present	no
Housing series	ME 3 (Both sides)

Dimensions

Dimensional drawing	
Width	22.6 mm
Height	102 mm
Depth	60.15 mm
Depth from base support surface	52.8 mm

PCB design

PCB thickness	1.4 mm ... 1.8 mm
---------------	-------------------

Material specifications

Color	green (6021)
Flammability rating according to UL 94	V0
CTI according to IEC 60112	600
Surface characteristics	untreated
Housing material	Polyamide

Environmental and real-life conditions

Vibration test

Upper part of housing - ME 22,5 OT-3MSTBO SET



2707767

<https://www.phoenixcontact.com/pc/products/2707767>

Specification	IEC 60068-2-6:2007-12
Frequency	10 - 150 - 10 Hz
Sweep speed	1 octave/min
Amplitude	0.15 mm (10 Hz ... 58.1 Hz)
Acceleration	2g (58.1 Hz ... 150 Hz)
Test duration per axis	2.5 h
Test directions	X-, Y- and Z-axis

Glow-wire test

Specification	IEC 60695-2-11:2014-02
Temperature	850 °C
Time of exposure	30 s

Thermal stability / ball thrust test

Specification	IEC 60695-10-2:2014-02
Temperature	125 °C
Test duration	1 h
Force	20 N

Mechanical strength / tumbling barrel

Specification	IEC 60998-1:2002-12
Height of fall	50 cm
Frequency	10

Shocks

Specification	IEC 60068-2-27:2008-02
Pulse shape	Half-sine
Acceleration	15g
Shock duration	11 ms
Number of shocks per direction	3
Test directions	X-, Y- and Z-axis (pos. and neg.)

Degree of protection (IP code)

Specification	IEC 60529:1989-11 + AMD 1:1999-11 + AMD 2:2013-08
---------------	---

Ambient conditions

Max. IP code to attain	IP20
Ambient temperature (operation)	-40 °C ... 105 °C (depending on power dissipation)
Ambient temperature (storage/transport)	-40 °C ... 55 °C
Ambient temperature (assembly)	-5 °C ... 100 °C
Relative humidity (storage/transport)	80 %

PCB data

Number of PCB holders	1
Type of PCB mount	Slot
Thickness of the PCB	1.4 mm ... 1.8 mm

Upper part of housing - ME 22,5 OT-3MSTBO SET



2707767

<https://www.phoenixcontact.com/pc/products/2707767>

Mounting

Mounting type	Latching with lower housing part
Mounting position	Vertical (horizontal DIN rail)

Packaging specifications

Type of packaging	packed in cardboard
Outer packaging type	Carton

Upper part of housing - ME 22,5 OT-3MSTBO SET

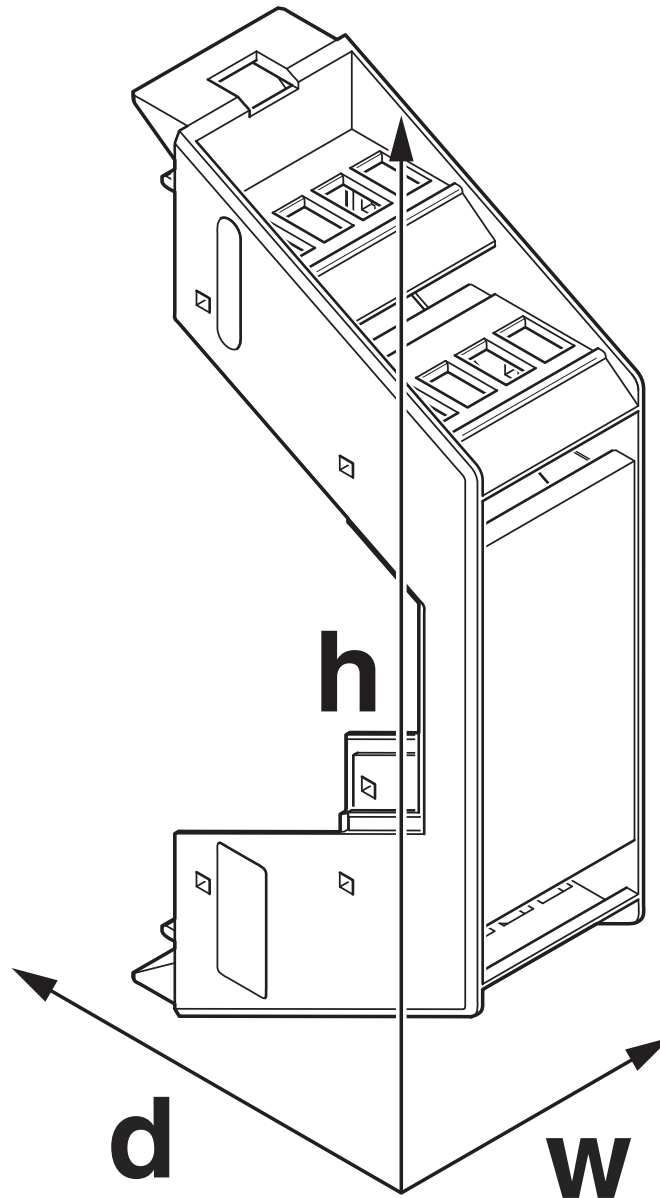
2707767

<https://www.phoenixcontact.com/pc/products/2707767>



Drawings

Dimensional drawing



Schematic figure for illustrating the item dimensions. The figure is not of the desired product. For further details, refer to the product drawings in the "Downloads" tab.


Upper part of housing - ME 22,5 OT-3MSTBO SET




2707767

<https://www.phoenixcontact.com/pc/products/2707767>

Approvals

 cUL Recognized Approval ID: FILE E 60425				
	Nominal Voltage U_N	Nominal Current I_N	Cross Section AWG	Cross Section mm^2
Use group B	250 V	12 A	30 - 12	-
Use group D	300 V	10 A	30 - 12	-

 UL Recognized Approval ID: FILE E 60425				
	Nominal Voltage U_N	Nominal Current I_N	Cross Section AWG	Cross Section mm^2
Use group B	250 V	12 A	30 - 12	-
Use group D	300 V	10 A	30 - 12	-

cULus Recognized				
-------------------------	--	--	--	--

Upper part of housing - ME 22,5 OT-3MSTBO SET



2707767

<https://www.phoenixcontact.com/pc/products/2707767>

Classifications

ECLASS

ECLASS-9.0	27182702
ECLASS-10.0.1	27182702
ECLASS-11.0	27182702

ETIM

ETIM 8.0	EC001031
----------	----------

UNSPSC

UNSPSC 21.0	31261500
-------------	----------

Upper part of housing - ME 22,5 OT-3MSTBO SET



2707767

<https://www.phoenixcontact.com/pc/products/2707767>

Environmental Product Compliance

China RoHS	Environmentally Friendly Use Period = 50 years For information on hazardous substances, refer to the manufacturer's declaration available under "Downloads"
------------	--

Upper part of housing - ME 22,5 OT-3MSTBO SET

2707767

<https://www.phoenixcontact.com/pc/products/2707767>

Mandatory Accessories

Mounting base housing

Mounting base housing - ME 22,5 UT GN - 2907130

<https://www.phoenixcontact.com/pc/products/2907130>



DIN rail housing, Lower housing part with metal foot catch, tall design, with vents, width: 22.6 mm, height: 99 mm, depth: 107.3 mm, color: green (6021), cross connection: without bus connector, number of positions cross connector: not relevant

Mounting base housing

Mounting base housing - ME 22,5 UT/FE GN - 2907114

<https://www.phoenixcontact.com/pc/products/2907114>



DIN rail housing, Lower housing part with metal foot catch, with FE contact, tall design, with vents, width: 22.6 mm, height: 99 mm, depth: 107.3 mm, color: green (6021), cross connection: without bus connector, number of positions cross connector: not relevant

Upper part of housing - ME 22,5 OT-3MSTBO SET

2707767

<https://www.phoenixcontact.com/pc/products/2707767>

Mounting base housing

Mounting base housing - ME 22,5 UT/FE BUS/ 5+2 GN - 2854209

<https://www.phoenixcontact.com/pc/products/2854209>



DIN rail housing, Lower housing part with metal foot catch, with FE contact, tall design, with vents, width: 22.6 mm, height: 99 mm, depth: 107.3 mm, color: green (6021), cross connection: integrated bus connector, number of positions cross connector: 5+2, Bus connector: 5 parallel contacts, 2 serial contacts

Mounting base housing

Mounting base housing - ME 22,5 UT/FE BUS/10+2 GN - 2854212

<https://www.phoenixcontact.com/pc/products/2854212>



DIN rail housing, Lower housing part with metal foot catch, with FE contact, tall design, with vents, width: 22.6 mm, height: 99 mm, depth: 107.3 mm, color: green (6021), cross connection: integrated bus connector, number of positions cross connector: 10+2, Bus connector: 10 parallel contacts, 2 serial contacts

Upper part of housing - ME 22,5 OT-3MSTBO SET

2707767

<https://www.phoenixcontact.com/pc/products/2707767>

Mounting base housing

Mounting base housing - ME 22,5 UT/FE BUS/ 5 GN - 2908744

<https://www.phoenixcontact.com/pc/products/2908744>



DIN rail housing, Lower housing part with metal foot catch, with FE contact, tall design, with vents, width: 22.6 mm, height: 99 mm, depth: 107.3 mm, color: green, (6021), cross connection: integrated bus connector, number of positions cross connector: 5, Bus connector: 5 parallel contacts

Mounting base housing

Mounting base housing - ME 22,5 UT TBUS GN - 2707385

<https://www.phoenixcontact.com/pc/products/2707385>



DIN rail housing, Lower housing part with metal foot catch, tall design, with vents, width: 22.6 mm, height: 99 mm, depth: 107.3 mm, color: green (6021), cross connection: DIN rail connector (optional), number of positions cross connector: 5

Upper part of housing - ME 22,5 OT-3MSTBO SET

2707767

<https://www.phoenixcontact.com/pc/products/2707767>

Mounting base housing

Mounting base housing - ME 22,5 UT/FE BUS/10 GN - 2908755

<https://www.phoenixcontact.com/pc/products/2908755>



DIN rail housing, Lower housing part with metal foot catch, with FE contact, tall design, with vents, width: 22.6 mm, height: 99 mm, depth: 107.3 mm, color: green, (6021), cross connection: integrated bus connector, number of positions cross connector: 10, Bus connector: 10 parallel contacts

Mounting base housing

Mounting base housing - ME 22,5 UT BUS/10+2 GN - 2915232

<https://www.phoenixcontact.com/pc/products/2915232>



DIN rail housing, Lower housing part with metal foot catch, tall design, with vents, width: 22.6 mm, height: 99 mm, depth: 107.3 mm, color: green (6021), cross connection: integrated bus connector, number of positions cross connector: 10+2, Bus connector: 10 parallel contacts, 2 serial contacts

Upper part of housing - ME 22,5 OT-3MSTBO SET

2707767

<https://www.phoenixcontact.com/pc/products/2707767>

Mounting base housing

Mounting base housing - ME 22,5 UT BUS/ 5 GN - 2713418

<https://www.phoenixcontact.com/pc/products/2713418>



DIN rail housing, Lower housing part with metal foot catch, tall design, with vents, width: 22.6 mm, height: 99 mm, depth: 107.3 mm, color: green (6021), cross connection: integrated bus connector, number of positions cross connector: 5, Bus connector: 5 parallel contacts

Mounting base housing

Mounting base housing - ME 22,5 UTG/FE BUS/10 GN - 2853394

<https://www.phoenixcontact.com/pc/products/2853394>



DIN rail housing, Lower housing part with metal foot catch, with FE contact, tall design, without vents, width: 22.6 mm, height: 99 mm, depth: 107.3 mm, color: green (6021), cross connection: integrated bus connector, number of positions cross connector: 10, Bus connector: 10 parallel contacts

Upper part of housing - ME 22,5 OT-3MSTBO SET

2707767

<https://www.phoenixcontact.com/pc/products/2707767>

Mounting base housing

Mounting base housing - ME 22,5 UTG GN - 2907127

<https://www.phoenixcontact.com/pc/products/2907127>



DIN rail housing, Lower housing part with metal foot catch, tall design, without vents, width: 22.6 mm, height: 99 mm, depth: 107.3 mm, color: green (6021), cross connection: without bus connector, number of positions cross connector: not relevant

Mounting base housing

Mounting base housing - ME 22,5 UTG/FE GN - 2907101

<https://www.phoenixcontact.com/pc/products/2907101>



DIN rail housing, Lower housing part with metal foot catch, with FE contact, tall design, without vents, width: 22.6 mm, height: 99 mm, depth: 107.3 mm, color: green (6021), cross connection: without bus connector, number of positions cross connector: not relevant

Upper part of housing - ME 22,5 OT-3MSTBO SET

2707767

<https://www.phoenixcontact.com/pc/products/2707767>

Mounting base housing

Mounting base housing - ME 22,5 UTG TBUS GN - 2707408

<https://www.phoenixcontact.com/pc/products/2707408>



DIN rail housing, Lower housing part with metal foot catch, tall design, without vents, width: 22.6 mm, height: 99 mm, depth: 107.3 mm, color: green (6021), cross connection: DIN rail connector (optional), number of positions cross connector: 5

Mounting base housing

Mounting base housing - ME 22,5 UTG/FE TBUS GN - 2200044

<https://www.phoenixcontact.com/pc/products/2200044>



DIN rail housing, Lower housing part with metal foot catch, with FE contact, tall design, without vents, width: 22.6 mm, height: 99 mm, depth: 107.3 mm, color: green (6021), cross connection: DIN rail connector (optional), number of positions cross connector: 5

Upper part of housing - ME 22,5 OT-3MSTBO SET

2707767

<https://www.phoenixcontact.com/pc/products/2707767>

Mounting base housing

Mounting base housing - ME 22,5 UTG/FE BUS/10+2 GN - 2279499

<https://www.phoenixcontact.com/pc/products/2279499>



DIN rail housing, Lower housing part with metal foot catch, with FE contact, tall design, without vents, width: 22.6 mm, height: 99 mm, depth: 107.3 mm, color: green (6021), cross connection: integrated bus connector, number of positions cross connector: 10+2, Bus connector: 10 parallel contacts, 2 serial contacts

Accessories

Filler plugs

Filler plugs - ME B-12,5 3MSTBO GN - 2709176

<https://www.phoenixcontact.com/pc/products/2709176>



DIN rail housing, Filler plug for unoccupied terminal points (3MSTBO), width: 10 mm, height: 16.35 mm, depth: 18.5 mm, color: green (6021)

Upper part of housing - ME 22,5 OT-3MSTBO SET



2707767

<https://www.phoenixcontact.com/pc/products/2707767>

Fiber optic

Fiber optic - HS LC-H-D3/ R1XC1 - 2202313

<https://www.phoenixcontact.com/pc/products/2202313>

Multiple light guides, passive, rigid, can be used for the ME, ME-MAX, ME-IO, ME PLC, and EH housing ranges (housing must be processed)



Fiber optic

Fiber optic - HS LC-H-5X2/ R1XC1 - 2202314

<https://www.phoenixcontact.com/pc/products/2202314>

Single light guide, passive, rigid, can be used for the ME, ME-MAX, ME-IO, ME PLC, and EH housing ranges (housing must be processed)



Upper part of housing - ME 22,5 OT-3MSTBO SET



2707767

<https://www.phoenixcontact.com/pc/products/2707767>

Fiber optic

Fiber optic - HS LC-H-D3/ R2XC1-5,08 - 2202315

<https://www.phoenixcontact.com/pc/products/2202315>

Multiple light guides, passive, rigid, can be used for the ME, ME-MAX, ME-IO, ME PLC, and EH housing ranges (housing must be processed)



Fiber optic

Fiber optic - HS LC-H-D2/ R2XC1-2,54 - 2202316

<https://www.phoenixcontact.com/pc/products/2202316>

Multiple light guides with glare protection, passive, rigid, can be used for the ME, ME-MAX, ME-IO, ME PLC, and EH housing ranges (housing must be processed)



Upper part of housing - ME 22,5 OT-3MSTBO SET

2707767

<https://www.phoenixcontact.com/pc/products/2707767>

Fiber optic

Fiber optic - HS LC-H-D2/ R2XC2-2,54 - 2202317

<https://www.phoenixcontact.com/pc/products/2202317>



Multiple light guides with glare protection, passive, rigid, can be used for the ME, ME-MAX, ME-IO, ME PLC, and EH housing ranges (housing must be processed)

Fiber optic

Fiber optic - HS LC-H-D2/ R2XC5-2,54 - 2202318

<https://www.phoenixcontact.com/pc/products/2202318>



Multiple light guides with glare protection, passive, rigid, can be used for the ME, ME-MAX, ME-IO, ME PLC, and EH housing ranges (housing must be processed)

Upper part of housing - ME 22,5 OT-3MSTBO SET

2707767

<https://www.phoenixcontact.com/pc/products/2707767>

Fiber optic

Fiber optic - HS LC-H-D2/ R2XC10-2,54 - 2202319

<https://www.phoenixcontact.com/pc/products/2202319>

Multiple light guides with glare protection, passive, rigid, can be used for the ME, ME-MAX, ME-IO, ME PLC, and EH housing ranges (housing must be processed)



Fiber optic

Fiber optic - HS LC-H-D2/ R4XC2-2,54 - 2202320

<https://www.phoenixcontact.com/pc/products/2202320>

Multiple light guides with glare protection, passive, rigid, can be used for the ME, ME-MAX, ME-IO, ME PLC, and EH housing ranges (housing must be processed)



Upper part of housing - ME 22,5 OT-3MSTBO SET

2707767

<https://www.phoenixcontact.com/pc/products/2707767>

Fiber optic

Fiber optic - HS LC-H-D2/ R4XC5-2,54 - 2202321

<https://www.phoenixcontact.com/pc/products/2202321>



Multiple light guides with glare protection, passive, rigid, can be used for the ME, ME-MAX, ME-IO, ME PLC, and EH housing ranges (housing must be processed)

Fiber optic

Fiber optic - HS LC-H-D2/ R4XC9-2,54 - 2202322

<https://www.phoenixcontact.com/pc/products/2202322>



Multiple light guides with glare protection, passive, rigid, can be used for the ME, ME-MAX, ME-IO, ME PLC, and EH housing ranges (housing must be processed)

Upper part of housing - ME 22,5 OT-3MSTBO SET

2707767

<https://www.phoenixcontact.com/pc/products/2707767>

Fiber optic

Fiber optic - HS LC-H-D2/ R4XC10-2,54 - 2202323

<https://www.phoenixcontact.com/pc/products/2202323>



Multiple light guides with glare protection, passive, rigid, can be used for the ME, ME-MAX, ME-IO, ME PLC, and EH housing ranges (housing must be processed)

Fiber optic

Fiber optic - HS LC-H-D2C/ R2XC1-2,54 - 1036658

<https://www.phoenixcontact.com/pc/products/1036658>



Multiple light guides with glare protection, passive, rigid, can be used for the ME, ME-MAX, ME-IO, ME PLC, and EH housing ranges (housing must be processed)

Upper part of housing - ME 22,5 OT-3MSTBO SET

2707767

<https://www.phoenixcontact.com/pc/products/2707767>

Fiber optic

Fiber optic - HS LC-H-D2C/ R2XC2-2,54 - 1043044

<https://www.phoenixcontact.com/pc/products/1043044>



Multiple light guides with glare protection, passive, rigid, can be used for the ME, ME-MAX, ME-IO, ME PLC, and EH housing ranges (housing must be processed)

Fiber optic

Fiber optic - HS LC-H-D2C/ R2XC5-2,54 - 1071310

<https://www.phoenixcontact.com/pc/products/1071310>



Multiple light guides with glare protection, passive, rigid, can be used for the ME, ME-MAX, ME-IO, ME PLC, and EH housing ranges (housing must be processed)

Upper part of housing - ME 22,5 OT-3MSTBO SET

2707767

<https://www.phoenixcontact.com/pc/products/2707767>

Fiber optic

Fiber optic - HS LC-H-D2C/ R2XC10-2,54 - 1071314

<https://www.phoenixcontact.com/pc/products/1071314>

Multiple light guides with glare protection, passive, rigid, can be used for the ME, ME-MAX, ME-IO, ME PLC, and EH housing ranges (housing must be processed)



Fiber optic

Fiber optic - HS LC-H-D2C/ R4XC2-2,54 - 1071316

<https://www.phoenixcontact.com/pc/products/1071316>

Multiple light guides with glare protection, passive, rigid, can be used for the ME, ME-MAX, ME-IO, ME PLC, and EH housing ranges (housing must be processed)



Upper part of housing - ME 22,5 OT-3MSTBO SET

2707767

<https://www.phoenixcontact.com/pc/products/2707767>

Fiber optic

Fiber optic - HS LC-H-D2C/ R4XC5-2,54 - 1071318

<https://www.phoenixcontact.com/pc/products/1071318>



Multiple light guides with glare protection, passive, rigid, can be used for the ME, ME-MAX, ME-IO, ME PLC, and EH housing ranges (housing must be processed)

Fiber optic

Fiber optic - HS LC-H-D2C/ R4XC9-2,54 - 1071321

<https://www.phoenixcontact.com/pc/products/1071321>



Multiple light guides with glare protection, passive, rigid, can be used for the ME, ME-MAX, ME-IO, ME PLC, and EH housing ranges (housing must be processed)

Upper part of housing - ME 22,5 OT-3MSTBO SET

2707767

<https://www.phoenixcontact.com/pc/products/2707767>

Fiber optic

Fiber optic - HS LC-H-D2C/ R4XC10-2,54 - 1071329

<https://www.phoenixcontact.com/pc/products/1071329>



Multiple light guides with glare protection, passive, rigid, can be used for the ME, ME-MAX, ME-IO, ME PLC, and EH housing ranges (housing must be processed)

Shield connection clamp

Shield connection clamp - ME-SAS - 2853899

<https://www.phoenixcontact.com/pc/products/2853899>



Shield connection clamp for terminal points starting from 2.5 mm²

Upper part of housing - ME 22,5 OT-3MSTBO SET

2707767

<https://www.phoenixcontact.com/pc/products/2707767>



Shield connection clamp

Shield connection clamp - ME-SAS MINI - 2200456

<https://www.phoenixcontact.com/pc/products/2200456>

Shield connection clamp for terminal points starting from 1.5 mm²



Phoenix Contact 2023 © - all rights reserved

<https://www.phoenixcontact.com>

PHOENIX CONTACT GmbH & Co. KG

Flachsmarktstraße 8

D-32825 Blomberg

+49 (0) 5235-3 00

info@phoenixcontact.com