

## Distributed I/O device - AXL E PN DI8 DO8 M12 6M - 2701515

Please be informed that the data shown in this PDF Document is generated from our Online Catalog. Please find the complete data in the user's documentation. Our General Terms of Use for Downloads are valid (<http://phoenixcontact.com/download>)



Axioline E, Digital I/O device, PROFINET, M12 fast connection technology, Digital inputs: 8, 24 V DC, connection method: 4-wire, Digital outputs: 8, 24 V DC, 500 mA, connection method: 3-wire, Metal housing, degree of protection: IP65/IP67

### Product Description

The Axioline E device is designed for use within a PROFINET network.

It is used to acquire and output digital signals.

The device is designed for use in systems manufacturing.

It is suitable for use without a control cabinet under harsh industrial conditions.


The Axioline E device can be used on tool platforms, directly on welding robots or in conveying technology, for example.

### Your advantages

- ✓ Connection to PROFINET network using M12connectors (D-coded)
- ✓ Transmission speed of 100 Mbps
- ✓ Connection of digital sensors and actuators using M12connectors (A-coded)
- ✓ Diagnostic and status indicators
- ✓ Short-circuit and overload protection of the sensor supply
- ✓ IP65/IP67 degree of protection



### Key Commercial Data

|                                      |   |
|--------------------------------------|---|
| Packing unit                         | 1 pc  |
| GTIN                                 | <br>4 046356 763653 |
| GTIN                                 | 4046356763653   |
| Weight per Piece (excluding packing) | 700.000 g   |
| Custom tariff number                 | 85176200  |
| Country of origin                    | Germany   |

## Distributed I/O device - AXL E PN DI8 DO8 M12 6M - 2701515

### Technical data

#### Note

|                         |   |
|-------------------------|---|
| Utilization restriction | EMC: class A product, see manufacturer's declaration in the download area |
|-------------------------|---|

#### Dimensions

|                    |  |
|--------------------|--|
| Width              | 60 mm  |
| Height             | 185 mm   |
| Depth              | 38 mm  |
| Note on dimensions | The height is 194.5 mm including the mounting plate. With fixing clips pulled out, the height is 212 mm. The depth is 38 mm including the mounting plate (30.5 mm without the mounting plate). |
| Drill hole spacing | 198.5 mm   |

#### Ambient conditions

|  |   |
|--|---|
| Ambient temperature (operation)          | -25 °C ... 60 °C                                  |
| Ambient temperature (storage/transport)  | -25 °C ... 85 °C                                  |
| Permissible humidity (operation)         | 5 % ... 95 %                                      |
| Permissible humidity (storage/transport) | 5 % ... 95 %                                      |
| Air pressure (operation)                 | 70 kPa ... 106 kPa (up to 3000 m above sea level) |
| Air pressure (storage/transport)         | 70 kPa ... 106 kPa (up to 3000 m above sea level) |
| Degree of protection                     | IP65/IP67   |

#### General

|                  |   |
|------------------|---|
| Housing material | Zinc die-cast   |
| Mounting type    | Wall mounting or DIN rail mounting; both with mounting plate. |
| Net weight       | 710 g   |

#### Interfaces

|                               |                                  |
|-------------------------------|----------------------------------|
| Designation                   | PROFINET                         |
| No. of channels               | 2                                |
| Connection method             | M12 fast connection technology   |
| Note on the connection method | D-coded                          |
| Designation connection point  | Copper cable                     |
| Transmission speed            | 100 Mbps (with auto negotiation) |
| Number of positions           | 4                                |

#### System limits of the bus coupler

|  |                 |
|--|-----------------|
| Designation  | PROFINET        |
| Equipment type                                     | PROFINET-Device |
| Conformance class                                  | B               |
| Number of supported application relationships (AR) | 2               |

## Distributed I/O device - AXL E PN DI8 DO8 M12 6M - 2701515

### Technical data

#### System limits of the bus coupler

|                           |                               |
|---------------------------|-------------------------------|
| System-specific protocols | PROFINET protocols LLDP       |
|                           | PROFINET protocols MRP client |
|                           | PROFINET protocols DCP        |
|                           | PROFINET protocols DCE-RPC    |
| Protocols supported       | SNMP v1                       |
|                           | HTTP                          |
|                           | TFTP                          |
|                           | FTP                           |

#### Supply

|                      |  |
|----------------------|--|
| Designation          | Module electronics and sensors ( $U_S$ )                           |
| Connection method    | M12 connector (T-coded)  |
| Number of positions  | 4  |
| Supply voltage       | 24 V DC  |
| Supply voltage range | 18 V DC ... 31.2 V DC (including all tolerances, including ripple) |
| Current consumption  | typ. 190 mA $\pm$ 15 % (at 24 V DC)                                |
| Designation          | Actuators ( $U_A$ )  |
| Connection method    | M12 connector (T-coded)  |
| Number of positions  | 4  |
| Supply voltage       | 24 V DC  |
| Supply voltage range | 18 V DC ... 31.2 V DC (including all tolerances, including ripple) |
| Current consumption  | typ. 30 mA $\pm$ 15 % (at 24 V DC)                                 |

#### Digital inputs

|                                   |  |
|-----------------------------------|--|
| Input name                        | Digital inputs   |
| Description of the input          | EN 61131-2 types 1 and 3                                       |
| Connection method                 | M12 connector, double occupancy                                |
| Connection technology             | 4-wire   |
| Number of inputs                  | 8  |
| Type of protection                | Overload protection, short-circuit protection of sensor supply |
| Input filter time                 | < 1000 $\mu$ s   |
| Input voltage range "0" signal    | 0 V ... 5 V DC   |
| Input voltage range "1" signal    | 11 V DC ... 30 V DC  |
| Nominal input current at $U_{IN}$ | typ. 3 mA  |

#### Digital outputs

|                       |                                 |
|-----------------------|---------------------------------|
| Output name           | Digital outputs                 |
| Connection method     | M12 connector, double occupancy |
| Connection technology | 3-wire                          |

## Distributed I/O device - AXL E PN DI8 DO8 M12 6M - 2701515

### Technical data

#### Digital outputs

|                                    |  |
|------------------------------------|--|
| Number of outputs                  | 8  |
| Type of protection                 | Overload protection, short-circuit protection of outputs |
| Output voltage                     | 24 V DC  |
| Nominal output voltage             | 24 V DC (from voltage $U_A$ )                            |
| Maximum output current per channel | 500 mA   |
| Nominal load, inductive            | 12 VA (1.2 H, 48 $\Omega$ , with nominal voltage)        |
| Nominal load, ohmic                | 12 W (48 $\Omega$ , with nominal voltage)                |

#### Electrical isolation

|              |   |
|--------------|---|
| Test section | 24 V supply (communications power and sensor supply, digital inputs)/bus connection (Ethernet 1) 500 V AC 50 Hz 1 min.                    |
|              | 24 V supply (communications power and sensor supply, digital inputs)/bus connection (Ethernet 2) 500 V AC 50 Hz 1 min.                    |
|              | 24 V supply (communications power and sensor supply, digital inputs)/FE 500 V AC 50 Hz 1 min.   |
|              | Bus connection (Ethernet 1)/FE 500 V AC 50 Hz 1 min.  |
|              | Bus connection (Ethernet 2)/FE 500 V AC 50 Hz 1 min.  |
|              | Bus connection (Ethernet 1)/bus connection (Ethernet 2) 500 V AC 50 Hz 1 min.   |
|              | 24 V supply (actuator supply, digital outputs)/24 V supply (communications power and sensor supply, digital inputs) 500 V AC 50 Hz 1 min. |
|              | 24 V supply (actuator supply, digital outputs)/bus connection (Ethernet 1) 500 V AC 50 Hz 1 min.  |
|              | 24 V supply (actuator supply, digital outputs)/bus connection (Ethernet 2) 500 V AC 50 Hz 1 min.  |
|              | 24 V supply (actuator supply, digital outputs)/FE 500 V AC 50 Hz 1 min.   |

#### Standards and Regulations

|                  |  |
|------------------|--|
| Mechanical tests | Vibration resistance in acc. with EN 60068-2-6/IEC 60068-2-6 5g                          |
|                  | Shock in acc. with EN 60068-2-27/IEC 60068-2-27 30g, 11 ms period, half-sine shock pulse |
|                  | Continuous shock according to EN 60068-2-27/IEC 60068-2-27 10g                           |
| Protection class | III, IEC 61140, EN 61140, VDE 0140-1   |

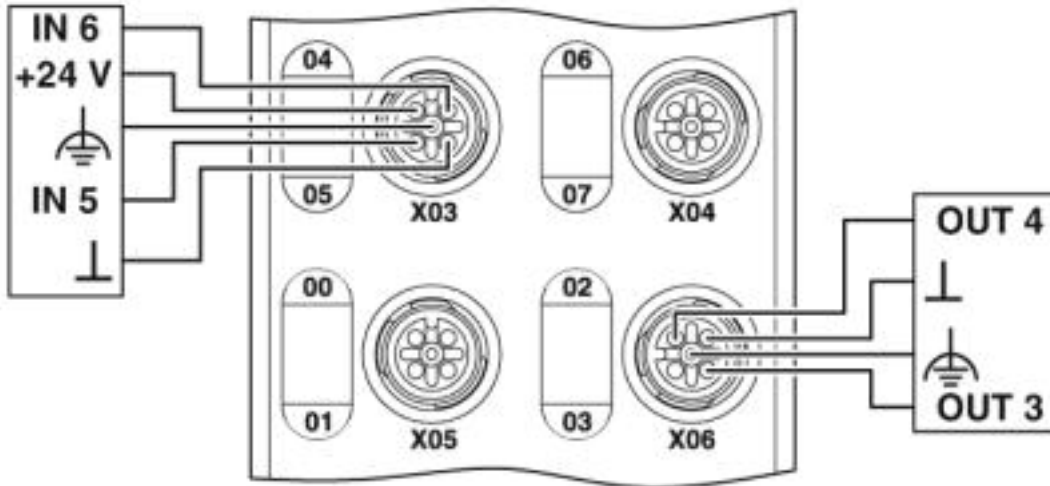
#### Environmental Product Compliance

|            |   |
|------------|---|
| China RoHS | Environmentally Friendly Use Period = 25;   |
|            | For details about hazardous substances go to tab "Downloads", Category "Manufacturer's declaration" |

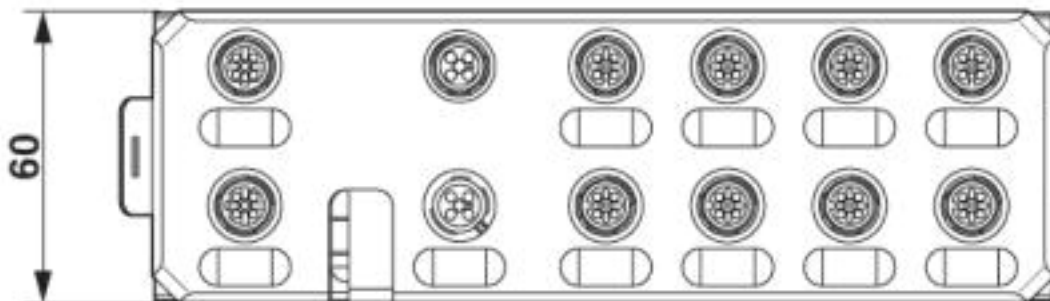
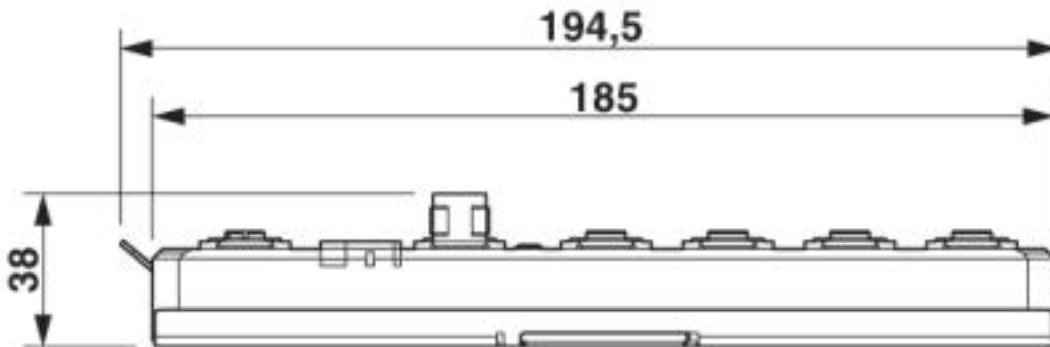
### Drawings

# Distributed I/O device - AXL E PN DI8 DO8 M12 6M - 2701515

Connection diagram



Dimensional drawing



## Distributed I/O device - AXL E PN DI8 DO8 M12 6M - 2701515

### Classifications

#### eCl@ss

|            |          |
|------------|----------|
| eCl@ss 4.0 | 27240400 |
| eCl@ss 4.1 | 27240400 |
| eCl@ss 5.0 | 27242200 |
| eCl@ss 5.1 | 27242600 |
| eCl@ss 6.0 | 27242600 |
| eCl@ss 7.0 | 27242604 |
| eCl@ss 8.0 | 27242604 |
| eCl@ss 9.0 | 27242604 |

#### ETIM

|          |          |
|----------|----------|
| ETIM 2.0 | EC001433 |
| ETIM 3.0 | EC001599 |
| ETIM 4.0 | EC001599 |
| ETIM 5.0 | EC001599 |
| ETIM 6.0 | EC001599 |
| ETIM 7.0 | EC001599 |

#### UNSPSC

|               |          |
|---------------|----------|
| UNSPSC 6.01   | 43172015 |
| UNSPSC 7.0901 | 43201404 |
| UNSPSC 11     | 39121311 |
| UNSPSC 12.01  | 39121311 |
| UNSPSC 13.2   | 32151602 |

### Approvals

#### Approvals

---

##### Approvals

UL Listed / cUL Listed / PROFINET / cULus Listed

---

##### Ex Approvals

UL Listed / cUL Listed / cULus Listed

---

#### Approval details

## Distributed I/O device - AXL E PN DI8 DO8 M12 6M - 2701515

### Approvals

|           |  |   |               |
|-----------|--|---|---------------|
| UL Listed |  | <a href="http://database.ul.com/cgi-bin/XYV/template/LISEXT/1FRAME/index.htm">http://database.ul.com/cgi-bin/XYV/template/LISEXT/1FRAME/index.htm</a> | FILE E 140324 |
|-----------|--|---|---------------|

|            |  |   |               |
|------------|--|---|---------------|
| cUL Listed |  | <a href="http://database.ul.com/cgi-bin/XYV/template/LISEXT/1FRAME/index.htm">http://database.ul.com/cgi-bin/XYV/template/LISEXT/1FRAME/index.htm</a> | FILE E 140324 |
|------------|--|---|---------------|

|          |  |  |        |
|----------|--|--|--------|
| PROFINET |  |  | Z12261 |
|----------|--|--|--------|

|              |  |  |  |
|--------------|--|--|--|
| cULus Listed |  |  |  |
|--------------|--|--|--|

### Accessories

#### Accessories

#### Assembly element

Mounting plate - AXL E MP 60 - 2701761



Mounting plate for Axioline E metal devices

---

#### Circular connector (cable-side)

Bus system connector - SACC-M12MSD-4CON-PG 9-SH - 1521261



Bus system connector, Ethernet/PROFINET CAT5 (100 Mbps), 4-position, shielded, Plug straight M12, D-coded, Screw connection, knurl material: Zinc die-cast, nickel-plated, cable gland Pg9, external cable diameter 6 mm ... 8 mm

---

#### Data cable preassembled

## Distributed I/O device - AXL E PN DI8 DO8 M12 6M - 2701515

### Accessories

Network cable - NBC-MSD SCO-PN/.../... - 1408640



Network cable, PROFINET CAT5 (100 Mbps), EtherCAT® CAT5 (100 Mbps), 4-position, Variable cable type, shielded, Plug straight M12 SPEEDCON / IP67, coding: D, on free cable end, cable length: Free input (0.2 ... 40.0 m)

Network cable - NBC-MSD-FSD SCO-PN/.../... - 1408617



Network cable, PROFINET CAT5 (100 Mbps), EtherCAT® CAT5 (100 Mbps), 4-position, Variable cable type, shielded, Plug straight M12 SPEEDCON / IP67, coding: D, on Socket straight M12 SPEEDCON / IP67, coding: D, cable length: Free input (0.2 ... 40.0 m)

Network cable - NBC-MSD-MSD SCO-PN/.../... - 1408634



Network cable, PROFINET CAT5 (100 Mbps), EtherCAT® CAT5 (100 Mbps), 4-position, Variable cable type, shielded, Plug straight M12 SPEEDCON / IP67, coding: D, on Plug straight M12 SPEEDCON / IP67, coding: D, cable length: Free input (0.2 ... 40.0 m)

Network cable - NBC-MSD-R4AC SCO-PN/.../... - 1408639



Network cable, PROFINET CAT5 (100 Mbps), EtherCAT® CAT5 (100 Mbps), 4-position, Variable cable type, shielded, Plug straight M12 SPEEDCON / IP67, coding: D, on Plug straight RJ45 / IP20, cable length: Free input (0.2 ... 40.0 m)

### Device marking

Snap-in markers - UCT-EM (7X10) - 0830765



Snap-in markers, Sheet, white, unlabeled, can be labeled with: TOPMARK NEO, TOPMARK LASER, BLUEMARK ID COLOR, BLUEMARK ID, BLUEMARK CLED, THERMOMARK PRIME, THERMOMARK CARD 2.0, THERMOMARK CARD, mounting type: snapped into marker carrier, lettering field size: 7 x 10 mm, Number of individual labels: 30

## Distributed I/O device - AXL E PN DI8 DO8 M12 6M - 2701515

### Accessories

#### Power cable

Power cable - SAC-4P- 1,5-PUR/M12FRT SH - 1424116



Power cable, 4-position, PUR halogen-free, black RAL 9005, shielded (Advanced Shielding Technology), free cable end, on Socket angled M12, T-coded, cable length: 1.5 m, For direct current up to 12 A/63 V

Power cable - SAC-4P-M12MST/ 1,5-PUR SH - 1424120



Power cable, 4-position, PUR halogen-free, black RAL 9005, shielded (Advanced Shielding Technology), Plug straight M12, T-coded, on free cable end, cable length: 1.5 m, For direct current up to 12 A/63 V

Power cable - SAC-4P-M12MST/ 1,0-PUR - 1408812



Power cable, 4-position, PUR halogen-free, black-gray RAL 7021, Plug straight M12, T-coded, on free cable end, cable length: 1 m, For direct current up to 12 A/63 V

Power cable - SAC-4P-M12MST/ 2,0-PUR - 1408813



Power cable, 4-position, PUR halogen-free, black-gray RAL 7021, Plug straight M12, T-coded, on free cable end, cable length: 2 m, For direct current up to 12 A/63 V

Power cable - SAC-4P-M12MST/ 5,0-PUR - 1408814



Power cable, 4-position, PUR halogen-free, black-gray RAL 7021, Plug straight M12, T-coded, on free cable end, cable length: 5 m, For direct current up to 12 A/63 V

## Distributed I/O device - AXL E PN DI8 DO8 M12 6M - 2701515

### Accessories

Power cable - SAC-4P-M12MST/10,0-PUR - 1408815



Power cable, 4-position, PUR halogen-free, black-gray RAL 7021, Plug straight M12, T-coded, on free cable end, cable length: 10 m, For direct current up to 12 A/63 V

Power cable - SAC-4P-M12MRT/ 1,0-PUR - 1408816



Power cable, 4-position, PUR halogen-free, black-gray RAL 7021, Plug angled M12, T-coded, on free cable end, cable length: 1 m, For direct current up to 12 A/63 V

Power cable - SAC-4P-M12MRT/ 2,0-PUR - 1408819



Power cable, 4-position, PUR halogen-free, black-gray RAL 7021, Plug angled M12, T-coded, on free cable end, cable length: 2 m, For direct current up to 12 A/63 V

Power cable - SAC-4P-M12MRT/ 5,0-PUR - 1408820



Power cable, 4-position, PUR halogen-free, black-gray RAL 7021, Plug angled M12, T-coded, on free cable end, cable length: 5 m, For direct current up to 12 A/63 V

Power cable - SAC-4P-M12MRT/10,0-PUR - 1408822



Power cable, 4-position, PUR halogen-free, black-gray RAL 7021, Plug angled M12, T-coded, on free cable end, cable length: 10 m, For direct current up to 12 A/63 V

## Distributed I/O device - AXL E PN DI8 DO8 M12 6M - 2701515

### Accessories

Power cable - SAC-4P- 1,0-PUR/M12FST - 1408823



Power cable, 4-position, PUR halogen-free, black-gray RAL 7021, free cable end, on Socket straight M12, T-coded, cable length: 1 m, For direct current up to 12 A/63 V

---

Power cable - SAC-4P- 2,0-PUR/M12FST - 1408824



Power cable, 4-position, PUR halogen-free, black-gray RAL 7021, free cable end, on Socket straight M12, T-coded, cable length: 2 m, For direct current up to 12 A/63 V

---

Power cable - SAC-4P- 5,0-PUR/M12FST - 1408825



Power cable, 4-position, PUR halogen-free, black-gray RAL 7021, free cable end, on Socket straight M12, T-coded, cable length: 5 m, For direct current up to 12 A/63 V

---

Power cable - SAC-4P-10,0-PUR/M12FST - 1408826



Power cable, 4-position, PUR halogen-free, black-gray RAL 7021, free cable end, on Socket straight M12, T-coded, cable length: 10 m, For direct current up to 12 A/63 V

---

Power cable - SAC-4P- 1,0-PUR/M12FRT - 1408827



Power cable, 4-position, PUR halogen-free, black-gray RAL 7021, free cable end, on Socket angled M12, T-coded, cable length: 1 m, For direct current up to 12 A/63 V

---

## Distributed I/O device - AXL E PN DI8 DO8 M12 6M - 2701515

### Accessories

Power cable - SAC-4P- 2,0-PUR/M12FRT - 1408828



Power cable, 4-position, PUR halogen-free, black-gray RAL 7021, Socket angled M12, on free cable end, cable length: 2 m, For direct current up to 12 A/63 V

---

Power cable - SAC-4P- 5,0-PUR/M12FRT - 1408829



Power cable, 4-position, PUR halogen-free, black-gray RAL 7021, Socket angled M12, on free cable end, cable length: 5 m, For direct current up to 12 A/63 V

---

Power cable - SAC-4P-10,0-PUR/M12FRT - 1408830



Power cable, 4-position, PUR halogen-free, black-gray RAL 7021, Socket angled M12, on free cable end, cable length: 10 m, For direct current up to 12 A/63 V

---

Power cable - SAC-4P-M12MST/ 0,3-PUR/M12FST - 1408806



Power cable, 4-position, PUR halogen-free, black-gray RAL 7021, Plug straight M12, T-coded, on Socket straight M12, T-coded, cable length: 0.3 m, For direct current up to 12 A/63 V

---

Power cable - SAC-4P-M12MST/ 0,6-PUR/M12FST - 1408807



Power cable, 4-position, PUR halogen-free, black-gray RAL 7021, Plug straight M12, T-coded, on Socket straight M12, T-coded, cable length: 0.6 m, For direct current up to 12 A/63 V

---

## Distributed I/O device - AXL E PN DI8 DO8 M12 6M - 2701515

### Accessories

Power cable - SAC-4P-M12MST/ 1,0-PUR/M12FST - 1408808



Power cable, 4-position, PUR halogen-free, black-gray RAL 7021, Plug straight M12, T-coded, on Socket straight M12, T-coded, cable length: 1 m, For direct current up to 12 A/63 V

Power cable - SAC-4P-M12MST/ 2,0-PUR/M12FST - 1408809



Power cable, 4-position, PUR halogen-free, black-gray RAL 7021, Plug straight M12, T-coded, on Socket straight M12, T-coded, cable length: 2 m, For direct current up to 12 A/63 V

Power cable - SAC-4P-M12MST/ 5,0-PUR/M12FST - 1408810



Power cable, 4-position, PUR halogen-free, black-gray RAL 7021, Plug straight M12, T-coded, on Socket straight M12, T-coded, cable length: 5 m, For direct current up to 12 A/63 V

Power cable - SAC-4P-M12MST/10,0-PUR/M12FST - 1408811



Power cable, 4-position, PUR halogen-free, black-gray RAL 7021, Plug straight M12, T-coded, on Socket straight M12, T-coded, cable length: 10 m, For direct current up to 12 A/63 V

### Protective cap

Screw plug - PROT-M12 - 1680539



An M12 screw plug for the unoccupied M12 sockets of the sensor/actuator cable, boxes and flush-type connectors

## Distributed I/O device - AXL E PN DI8 DO8 M12 6M - 2701515

### Accessories

#### Sensor/actuator cable

Sensor/actuator cable - SAC-3P-M12MS/.../... - 1696662



Sensor/actuator cable, 3-position, Variable cable type, Plug straight M12, A-coded, on free cable end, cable length: Free input (0.2 ... 40.0 m)

---

Sensor/actuator cable - SAC-3P-M12MR/.../... - 1696675



Sensor/actuator cable, 3-position, Variable cable type, Plug angled M12, A-coded, on free cable end, cable length: Free input (0.2 ... 40.0 m)

---

Sensor/actuator cable - SAC-3P-M12MS-M12FS/.../... - 1696756



Sensor/actuator cable, 3-position, Variable cable type, Plug straight M12, A-coded, on Socket straight M12, A-coded, cable length: Free input (0.2 ... 40.0 m)

---

Sensor/actuator cable - SAC-3P-M12MR-M12FS/.../... - 1513428



Sensor/actuator cable, 3-position, Variable cable type, Plug angled M12, A-coded, on Socket straight M12, A-coded, cable length: Free input (0.2 ... 40.0 m)

---

Sensor/actuator cable - SAC-3P-M12MR-M12FR/.../... - 1513318



Sensor/actuator cable, 3-position, Variable cable type, Plug angled M12, A-coded, on Socket angled M12, A-coded, cable length: Free input (0.2 ... 40.0 m)

---

## Distributed I/O device - AXL E PN DI8 DO8 M12 6M - 2701515

### Accessories

Sensor/actuator cable - SAC-4P-MS SCO/.../... - 1523560



Sensor/actuator cable, 4-position, Variable cable type, Plug straight M12 SPEEDCON, A-coded, on free cable end, cable length: Free input (0.2 ... 40.0 m)

Sensor/actuator cable - SAC-4P-MR SCO/.../... - 1523573



Sensor/actuator cable, 4-position, Variable cable type, Plug angled M12 SPEEDCON, A-coded, on free cable end, cable length: Free input (0.2 ... 40.0 m)

Sensor/actuator cable - SAC-4P-MS-FS SCO/.../... - 1523586



Sensor/actuator cable, 4-position, Variable cable type, Plug straight M12 SPEEDCON, A-coded, on Socket straight M12 SPEEDCON, A-coded, cable length: Free input (0.2 ... 40.0 m)

Sensor/actuator cable - SAC-4P-M12MR-M12FS/.../... - 1697030



Sensor/actuator cable, 4-position, Variable cable type, Plug angled M12, A-coded, on Socket straight M12, A-coded, cable length: Free input (0.2 ... 40.0 m)

Sensor/actuator cable - SAC-4P-M12MR-M12FR/.../... - 1697043



Sensor/actuator cable, 4-position, Variable cable type, Plug angled M12, A-coded, on Socket angled M12, A-coded, cable length: Free input (0.2 ... 40.0 m)

## Distributed I/O device - AXL E PN DI8 DO8 M12 6M - 2701515

### Accessories

Sensor/actuator cable - SAC-5P-M12MS/.../... - 1697098



Sensor/actuator cable, 5-position, Variable cable type, Plug straight M12, A-coded, on free cable end, cable length: Free input (0.2 ... 40.0 m)

Sensor/actuator cable - SAC-5P-M12MR/.../... - 1697108



Sensor/actuator cable, 5-position, Variable cable type, Plug angled M12, A-coded, on free cable end, cable length: Free input (0.2 ... 40.0 m)

Sensor/actuator cable - SAC-5P-MS-FS SCO/.../... - 1523625



Sensor/actuator cable, 5-position, Variable cable type, Plug straight M12 SPEEDCON, A-coded, on Socket straight M12 SPEEDCON, A-coded, cable length: Free input (0.2 ... 40.0 m)

Sensor/actuator cable - SAC-5P-M12MR-M12FS/.../... - 1508734



Sensor/actuator cable, 5-position, Variable cable type, Plug angled M12, A-coded, on Socket straight M12, A-coded, cable length: Free input (0.2 ... 40.0 m)

Sensor/actuator cable - SAC-5P-M12MR-M12FR/.../... - 1529506



Sensor/actuator cable, 5-position, Variable cable type, Plug angled M12, A-coded, on Socket angled M12, A-coded, cable length: Free input (0.2 ... 40.0 m)

### Y-distributor

## Distributed I/O device - AXL E PN DI8 DO8 M12 6M - 2701515

### Accessories

Y distributor - SAC-3P-Y/2XM 8FS SCO - 1523984



Y distributor, 4-position, Plug straight M12 SPEEDCON, A-coded, on Socket straight M8, A-coded and Socket straight M8, A-coded

---

Y distributor - SAC-3P-Y/2XFS PE SCO - 1523971



Y distributor, 4-position, Plug straight M12 SPEEDCON, A-coded, on Socket straight M12 SPEEDCON, A-coded and Socket straight M12 SPEEDCON, A-coded

---

Y distributor - SAC-3P-Y/2XFS B PE SCO - 1523968



Y distributor, 4-position, Plug straight M12 SPEEDCON, A-coded, on Socket straight M12 SPEEDCON, A-coded, PIN 2+4 bridged and Socket straight M12 SPEEDCON, A-coded, PIN 2+4 bridged, Thread M12 socket not rotatable

---

Y distributor - SAC-5P-Y/2XFS VP SCO - 1546068



Y distributor, 5-position, Plug straight M12 SPEEDCON, A-coded, on Socket straight M12 SPEEDCON, A-coded and Socket straight M12 SPEEDCON, A-coded, Parallel distributor, Thread M12 socket not rotatable

---